

## AUTOMATIC AIR ELIMINATOR | AAE-750 | SUBMITTAL

File No: 37.511  
Date: DECEMBER 13, 2019  
Supersedes: 5037.965  
Date: NOVEMBER 30, 1997

Job: \_\_\_\_\_ Representative: \_\_\_\_\_  
 \_\_\_\_\_ Ordered by: \_\_\_\_\_ Date: \_\_\_\_\_  
 Engineer: \_\_\_\_\_ Submitted by: \_\_\_\_\_ Date: \_\_\_\_\_  
 Contractor: \_\_\_\_\_ Approved by: \_\_\_\_\_ Date: \_\_\_\_\_

### MATERIALS OF CONSTRUCTION

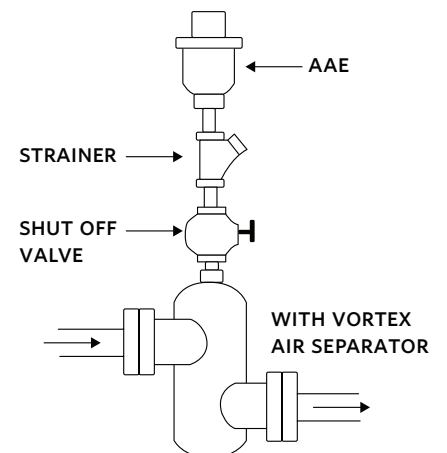
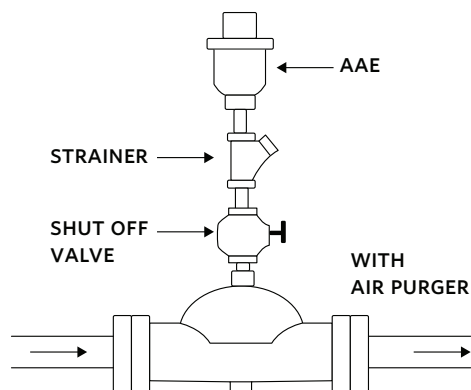
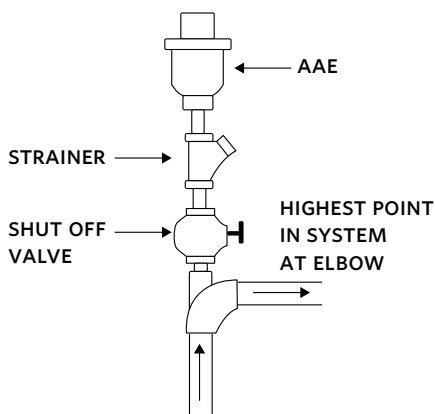
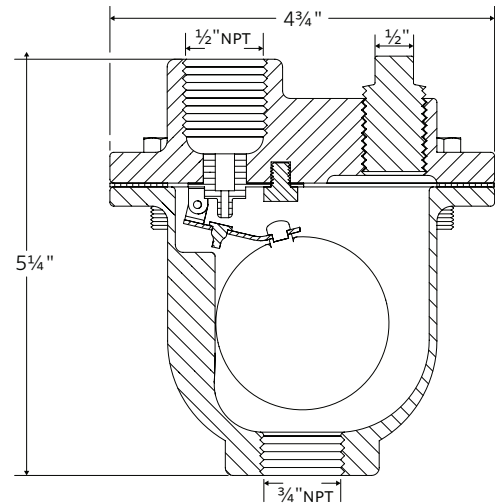
**Cover and body** Cast iron A126  
**Control portion** Stainless steel  
**Bolts** Carbon steel  
**Valve seat** Stainless steel

### SPECIFICATION

**Air Elimination Range** 150 psi at 250°F (10.34 bar at 121°C)  
 175 psi at 150°F (12.07 bar at 65.5°C)  
**Weight** 5.5 lbs (2.49 kg)

### INSTALLATION

1. Install the AAE - 750 in a vertical position with the system connection at 6 o'clock and the air passage to atmosphere at 12 o'clock.
2. The air passage opening at the top must be kept open and not plugged or blocked. It is recommended that a drain tube be installed from this opening to an open drain to prevent water damage in the event the operating mechanism becomes fouled by foreign material.
3. A strainer is recommended ( installed as shown) on systems that could contain suspended particles which would affect the proper operation of this vent.



**TORONTO**

23 BERTRAND AVENUE  
TORONTO, ONTARIO  
CANADA, M1L 2P3  
+1 416 755 2291

**BUFFALO**

93 EAST AVENUE  
NORTH TONAWANDA, NEW YORK  
U.S.A., 14120-6594  
+1 716 693 8813

**BIRMINGHAM**

HEYWOOD WHARF, MUCKLOW HILL  
HALESOWEN, WEST MIDLANDS  
UNITED KINGDOM, B62 8DJ  
+44 (0) 8444 145 145

**MANCHESTER**

WOLVERTON STREET  
MANCHESTER  
UNITED KINGDOM, M11 2ET  
+44 (0) 8444 145 145

**BANGALORE**

#59, FIRST FLOOR, 3RD MAIN  
MARGOSA ROAD, MALLESWARAM  
BANGALORE, INDIA, 560 003  
+91 (0) 80 4906 3555

**SHANGHAI**

UNIT 903, 888 NORTH SICHUAN RD.  
HONGKOU DISTRICT, SHANGHAI  
CHINA, 200085  
+86 (0) 21 5237 0909

**SÃO PAULO**

RUA JOSÉ SEMIÃO RODRIGUES AGOSTINHO,  
1370 GALPÃO 6 EMBU DAS ARTES  
SAO PAULO, BRAZIL  
+55 11 4785 1330

**LYON**

93 RUE DE LA VILLETTE  
LYON, 69003 FRANCE  
+33 (0) 420 102 625

**DUBAI**

LOB16, #611, JAFZA  
P.O. BOX 18226  
DUBAI - UNITED ARAB EMIRATES  
+971 4 887 6775

**MANNHEIM**

DYNAMOSTRASSE 13  
68165 MANNHEIM  
GERMANY  
+49 (0) 621 3999 9858