

# ARMSTRONG CENTRIFUGAL PUMPS SUBMITTAL DATA

FILE NO.	5050.911
DATE:	May 6, 1985
SUPERSEDES:	5052.972
DATE:	Mar. 31, 1977

## SERIES 5240—DUPLIX ARRANGEMENT

<b>CUSTOMER</b>

<b>CUSTOMER'S ORDER NO.</b>

<b>ARMSTRONG REFERENCE</b>

<b>ENGINEER</b>

<b>JOB REFERENCE</b>

<b>SPECIFICATION REFERENCE</b>

<b>NO. OF UNITS</b>

<b>QUOTATION REFERENCE</b>

<b>PUMP DESIGN DATA</b>	
PUMP SIZE	LIQUID SPECIFIC GRAVITY
CAPACITY USGPM	TEMP °F
FEET HEAD	

<b>SPECIFICATIONS</b>
<p>A standard duplex unit comprises two pumps of the vertical, shaft driven, single stage, centrifugal type with cast iron casing, cast iron impeller, cast iron strainer, bronze guide bearings, ball thrust bearing, grease lubrication, alloy steel shaft, cast iron motor support and steel floor plate. Each pump is directly connected to a vertical, solid shaft, ball bearing driving motor.</p> <p>Special features furnished in this order only are checked below:</p> <ul style="list-style-type: none"> <li><input type="checkbox"/> <i>Stainless Steel Shafts</i></li> <li><input type="checkbox"/> <i>Bronze impellers</i></li> <li><input type="checkbox"/> <i>Graphite bearing with internal lubrication</i></li> <li><input type="checkbox"/> <i>Oil lubrication</i></li> <li><input type="checkbox"/> <i>Cutless rubber lower bearing</i></li> <li><input type="checkbox"/></li> <li><input type="checkbox"/></li> <li><input type="checkbox"/></li> </ul>

<b>MOTOR DESIGN DATA</b>		
HP RATING	FRAME SIZE	
SPEED RPM	ENCLOSURE	
VOLTS	HERTZ	PHASE

<b>SUMP DESIGN DATA</b>	
INSIDE DIMENSIONS	SUMP DEPTH INCHES

<b>SUMP ACCESSORIES</b>		
DESCRIPTION	DRAWING NUMBER	CHECK IF SUPPLIED BY ARMSTRONG
CURB FRAME		
COVER PLATE		
SUMP BASIN		

<b>REMARKS</b>	
<b>DIMENSIONS:</b>	See Reverse Side
<b>PERFORMANCE:</b>	See Reverse Side
<b>CONTROLS AND ACCESSORIES:</b>	See separate submittal data sheet and wiring diagram (attached)

PREPARED BY: .....

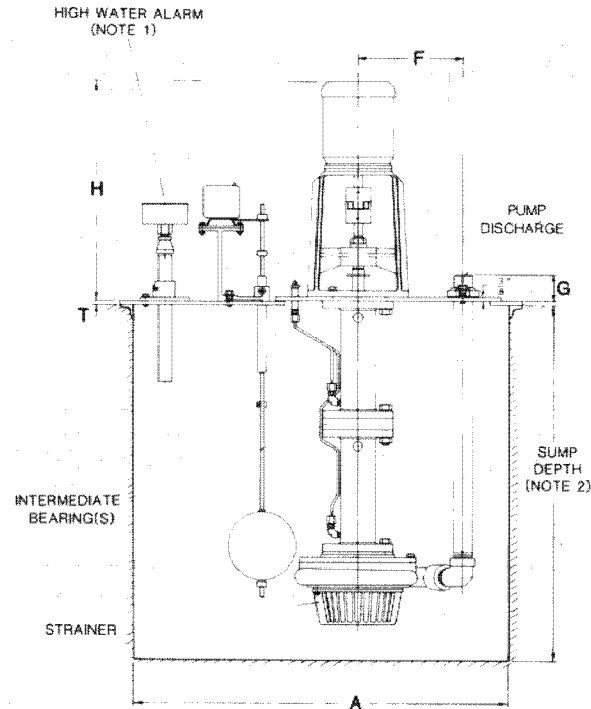
DATE: .....

# SERIES 5240

## DUPLEX UNIT

# DIMENSIONAL DATA

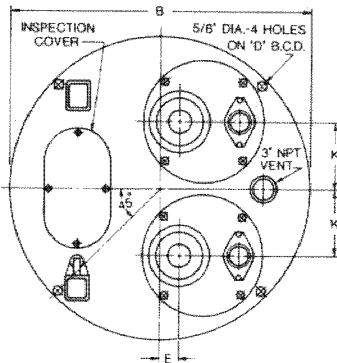
FOR EXACT INSTALLATION DATA, PLEASE WRITE FACTORY FOR CERTIFIED DIMENSIONS.



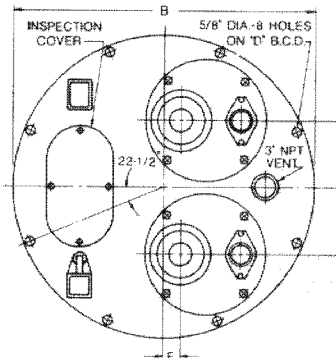
ALL DIMENSIONS IN INCHES

SUMP SIZE A	B	C	D	E			K	T	INSPECTION COVER SIZE
				2D	1½E	2½E			
36" DIA.	40	-	38	2¼*	2¼*	2¾*	10	¾	10½ x 13
42" DIA.	46	-	44	1¾	1¾	1¾	10	½	10½ x 13
48" DIA.	54	-	51	4¾	4¾	4¾	12	½	14 x 20
54" DIA.	60	-	57	5¾	5¾	5¾	14	¾	14 x 20
60" DIA.	66	-	63	5¾	5¾	5¾	16	¾	14 x 20
72" DIA.	78	-	75	7¾	7¾	7¾	18	¾	14 x 20
36" SQUARE	40	19	-	3¾	3¾	3¾	10	¾	14 x 20
42" SQUARE	46	22	-	4¾	4¾	4¾	11	½	14 x 20
48" SQUARE	54	14½	-	6¾	6¾	6¾	12	½	14 x 20
54" SQUARE	60	16	-	5¾	5¾	5¾	14	¾	14 x 20
60" SQUARE	66	19	-	5¾	5¾	5¾	16	¾	14 x 20
72" SQUARE	78	23	-	8¾	8¾	8¾	18	¾	14 x 20

\* Denotes negative dimensions



SUMPS UP TO 42" INSIDE DIAMETER

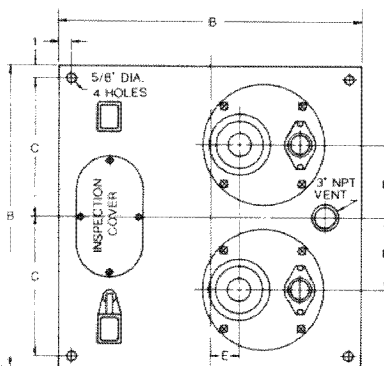


SUMPS 48" INSIDE DIAMETER AND LARGER

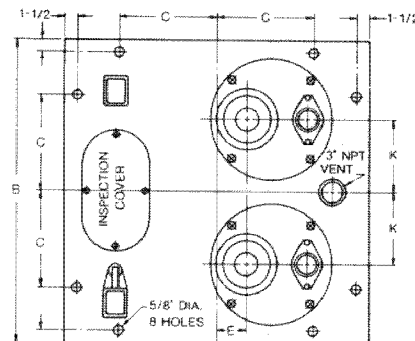
PUMP	F	G	PUMP DISCHARGE
2D	11½	2¼	Screwed 2" NPT
1½E	10¾	3	Screwed 1½" NPT
2½E	11¼	3	Screwed 2½" NPT

SUMP DEPTH IN FEET	NO. OF INTERMEDIATE BEARINGS
Up to 4'-6"	0
5' to 8'	1
9' to 12'	2

MOTOR FRAME SIZE	56C	143TC	145TC	182TC	184TC	213TC	215TC	254TC	256TC
H APPROX.	21½	22	22	22 ¾	24½	26¼	27 ¾	28 ¾	30 ¾



SUMPS UP TO 42" SQUARE



SUMPS 48" SQUARE AND LARGER

NOTE 1. High water alarm furnished only where specified.  
NOTE 2. Sump depth specified on reverse side.

S.A. Armstrong Limited  
23 Bertrand Avenue  
Toronto, Ontario  
Canada, M1L 2P3  
Tel: (416) 755-2291  
Fax: (416) 759-9101

Armstrong Pumps Limited  
Peartree Road, Stanway  
Colchester, Essex  
United Kingdom, C03 5JX  
Tel: 01206-579491  
Fax: 01206-760532



Armstrong Pumps Inc.  
93 East Avenue  
Buffalo, New York  
U.S.A. 14120-6594  
Tel: (716) 693-8813  
Fax: (716) 693-8970

Armstrong Darling Inc.  
2200 Place Transcanadienne  
Montreal, Quebec  
Canada, H9P 2X5  
Tel: (514) 421-2424  
Fax: (514) 421-2436  
Printed in Canada