

ARMSTRONG CENTRIFUGAL PUMPS SUBMITTAL DATA

FILE NO.: 5050.91
 DATE: May 6, 1985
 SUPERSEDES: 5052.97
 DATE: Mar. 31, 1977

SERIES 5240—SIMPLEX ARRANGEMENT

CUSTOMER

CUSTOMER'S ORDER NO.

ARMSTRONG REFERENCE

ENGINEER

JOB REFERENCE

SPECIFICATION REFERENCE

NO. OF UNITS

QUOTATION REFERENCE

PUMP DESIGN DATA	
PUMP SIZE	LIQUID SPECIFIC GRAVITY
CAPACITY USGPM	TEMP °F
FEET HEAD	

SPECIFICATIONS
<p>A standard simplex unit comprises one pump of the vertical, shaft driven, single stage, centrifugal type with cast iron casing, cast iron impeller, cast iron strainer, bronze guide bearings, ball thrust bearing, grease lubrication, alloy steel shaft, cast iron motor support and steel floor plate. The pump is directly connected to a vertical, solid shaft, ball bearing driving motor.</p> <p>Special features furnished in this order only are checked below:</p> <ul style="list-style-type: none"> <input type="checkbox"/> <i>Stainless Steel Shaft</i> <input type="checkbox"/> <i>Bronze Impeller</i> <input type="checkbox"/> <i>Graphite bearing with internal lubrication</i> <input type="checkbox"/> <i>Oil lubrication</i> <input type="checkbox"/> <i>Cutless rubber lower bearing</i> <p><input type="checkbox"/></p> <p><input type="checkbox"/></p> <p><input type="checkbox"/></p>

MOTOR DESIGN DATA		
HP RATING	FRAME SIZE	
SPEED RPM	ENCLOSURE	
VOLTS	HERTZ	PHASE

SUMP DESIGN DATA	
INSIDE DIMENSIONS	SUMP DEPTH INCHES

SUMP ACCESSORIES		
DESCRIPTION	DRAWING NUMBER	CHECK IF SUPPLIED BY ARMSTRONG
CURB FRAME		
COVER PLATE		
SUMP BASIN		

REMARKS
<p>DIMENSIONS: See Reverse Side</p> <p>PERFORMANCE: See Reverse Side</p> <p>CONTROLS AND ACCESSORIES: See separate submittal data sheet and wiring diagram (attached)</p>

PREPARED BY:

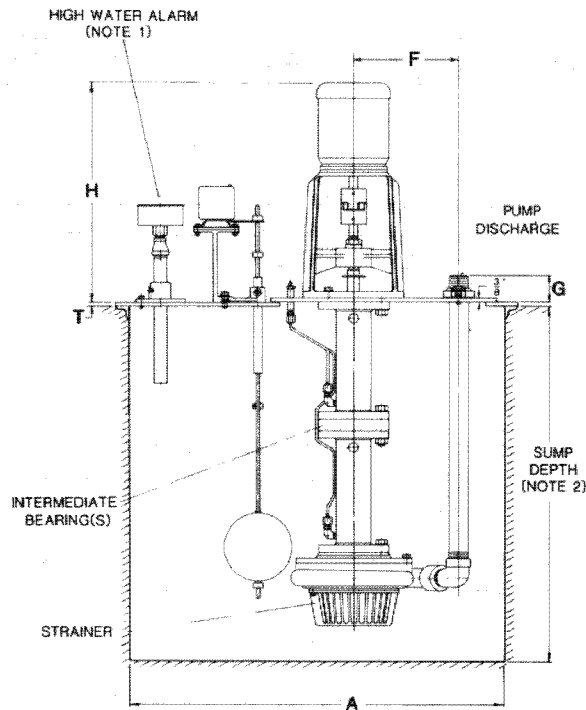
DATE:

SERIES 5240 SIMPLEX UNIT

DIMENSIONAL DATA

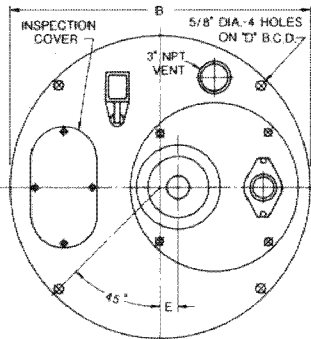
FOR EXACT INSTALLATION DATA, PLEASE WRITE FACTORY FOR CERTIFIED DIMENSIONS.

ALL DIMENSIONS IN INCHES

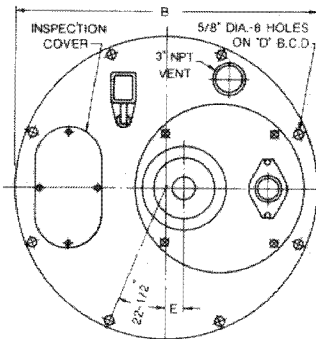


SUMP SIZE A	B	C	D	E			T	INSPECTION COVER SIZE
				2D	1½E	2½E		
30" DIA.	34	-	32	1¾	1¾	1¼	¾	10½ x 13
36" DIA.	40	-	38	3¾	3¾	3¼	¾	14 x 20
42" DIA.	46	-	44	6¾	6¾	6¼	½	14 x 20
48" DIA.	54	-	51	6¾	6¾	6¼	½	14 x 20
54" DIA.	60	-	57	6¾	6¾	6¼	¾	14 x 20
60" DIA.	66	-	63	6¾	6¾	6¼	¾	14 x 20
72" DIA.	78	-	75	6¾	6¾	6¼	¾	14 x 20
24" SQUARE	28	13	-	1¼*	1¼*	1¾*	¾	None
30" SQUARE	34	16	-	1¾	1¾	1¼	¾	10½ x 13
36" SQUARE	40	19	-	3¾	3¾	3¼	¾	14 x 20
42" SQUARE	46	22	-	6¾	6¾	6¼	½	14 x 20
48" SQUARE	54	14½	-	6¾	6¾	6¼	½	14 x 20
54" SQUARE	60	16	-	6¾	6¾	6¼	¾	14 x 20
60" SQUARE	66	19	-	6¾	6¾	6¼	¾	14 x 20
72" SQUARE	78	23	-	6¾	6¾	6¼	¾	14 x 20

* Denotes negative dimensions



SUMPS UP TO 42" INSIDE DIAMETER

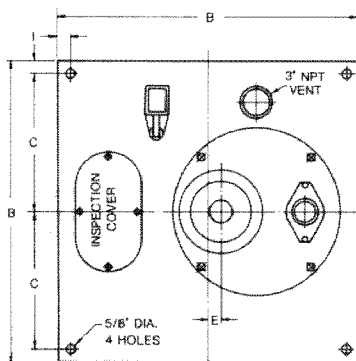


SUMPS 48" INSIDE DIAMETER AND LARGER

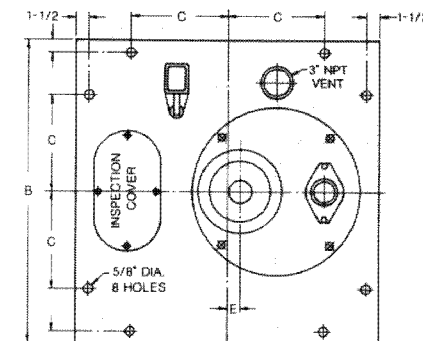
PUMP	F	G	PUMP DISCHARGE
2D	11½	2¼	Screwed 2" NPT
1½E	10¾	3	Screwed 1½" NPT
2½E	11¼	3	Screwed 2½" NPT

SUMP DEPTH IN FEET	NO. OF INTERMEDIATE BEARINGS
Up to 4'-6"	0
5' to 8'	1
9' to 12'	2

MOTOR FRAME SIZE	56C	143TC	145TC	182TC	184TC	213TC	215TC	254TC	256TC
H APPROX.	21½	22	22	22¾	24½	26¼	27¾	28¾	30¾



SUMPS UP TO 42" SQUARE



SUMPS 48" SQUARE AND LARGER

NOTE 1. High water alarm furnished only where specified.
NOTE 2. Sump depth specified on reverse side.

S.A. Armstrong Limited
23 Bertrand Avenue
Toronto, Ontario
Canada, M1L 2P3
Tel: (416) 755-2291
Fax: (416) 759-9101

Armstrong Pumps Limited
Peartree Road, Stanway
Colchester, Essex
United Kingdom, C03 5JX
Tel: 01206-579491
Fax: 01206-760532



Armstrong Pumps Inc.
93 East Avenue
Buffalo, New York
U.S.A. 14120-6594
Tel: (716) 693-8813
Fax: (716) 693-8970

Armstrong Darling Inc.
2200 Place Transcanadienne
Montreal, Quebec
Canada, H9P 2X5
Tel: (514) 421-2424
Fax: (514) 421-2436
Printed in Canada