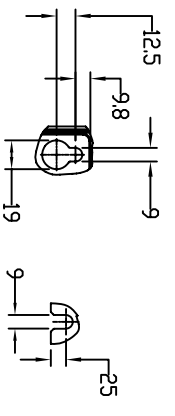
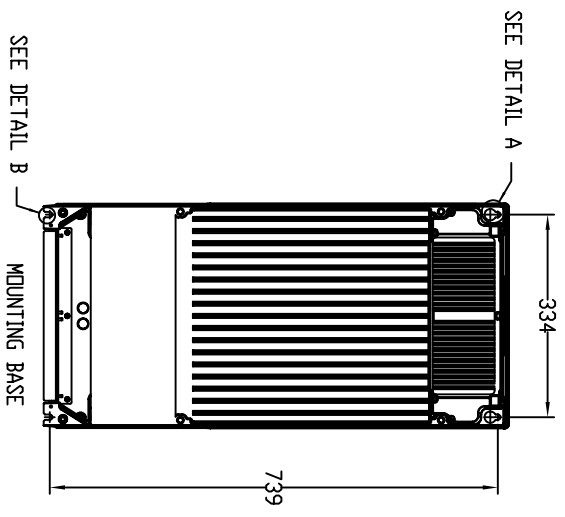
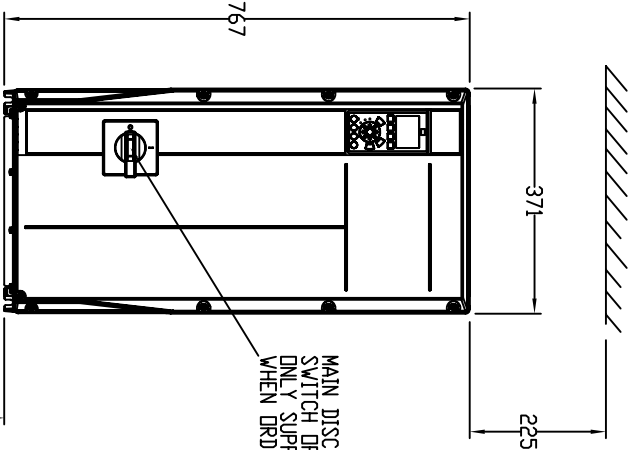
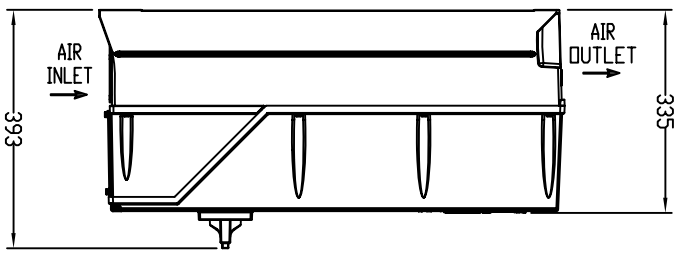
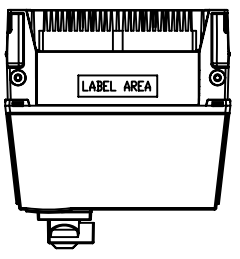
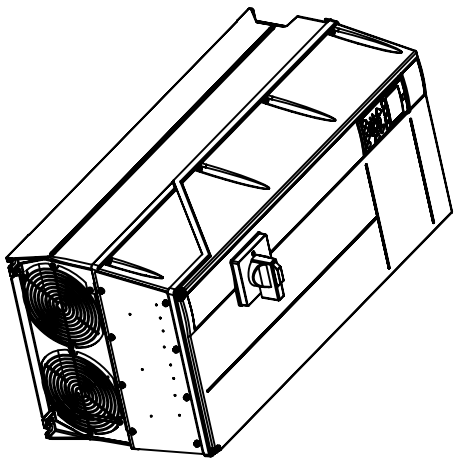
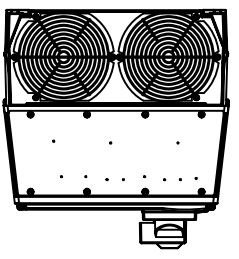


KW RATING	MAX. FUSE SIZE AT 380-500V	NOISE RATING dBA	WEIGHT Kgs.
75	250A	55 dBA	65
90	250A	55 dBA	65



DETAIL A SCALE 1:2.5
DETAIL B SCALE 1:2.5



LAST MODIFICATION DETAILS
 SEE ECD 8785 (AHBP)
 TITLE WAS FC102
 VLT HVAC DRIVE REMOVED

JOB No. - **PART No.** - **WEIGHT KG** - **FILE NAME** -
DESIGN No. - **PATTERN No.** - **MATERIAL** - **MAT'L SPEC.** -

TITLE
 IVS102 FREQUENCY
 INVERTER CRIVE
 C2 CHASSIS

DRG No. CP12070-B

DATE 28/05/2009 **DRN BSD**
CHK BSD **APP PK**

SCALE 1:1 **SHEET** 1 OF 1

ARMSTRONG
 WENLOCK WAY, MANCHESTER, M12 5JL
 TEL: +44 (0) 161 223 2223

ISSUE B **DATE** 09/07/2009 **DRN BSD**
CHK BSD **APP PK**

ALL DIMENSIONS IN mm
 DRAWN TO BS308
 WELDING SYMBOLS TO BS499
 SURFACE FINISH SHOWN IN
 MICROLETTERS
 MACHINE WHERE SHOWN ✓
 TO TOLERANCE ± 0.3MM
 UNLESS OTHERWISE STATED

THIS DRAWING IS THE PRIVATE AND CONFIDENTIAL PROPERTY OF ARMSTRONG HOLDEN BROOKE PULLEN LTD. ALL COPYRIGHT, MANUFACTURING AND SALES RIGHTS RESERVED.