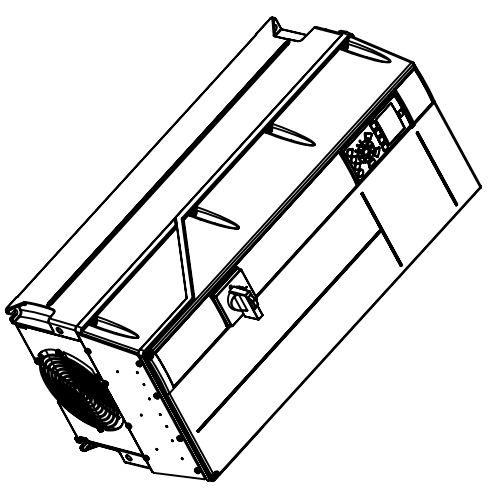
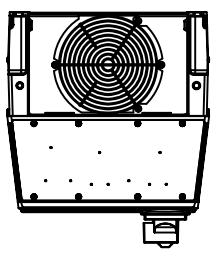
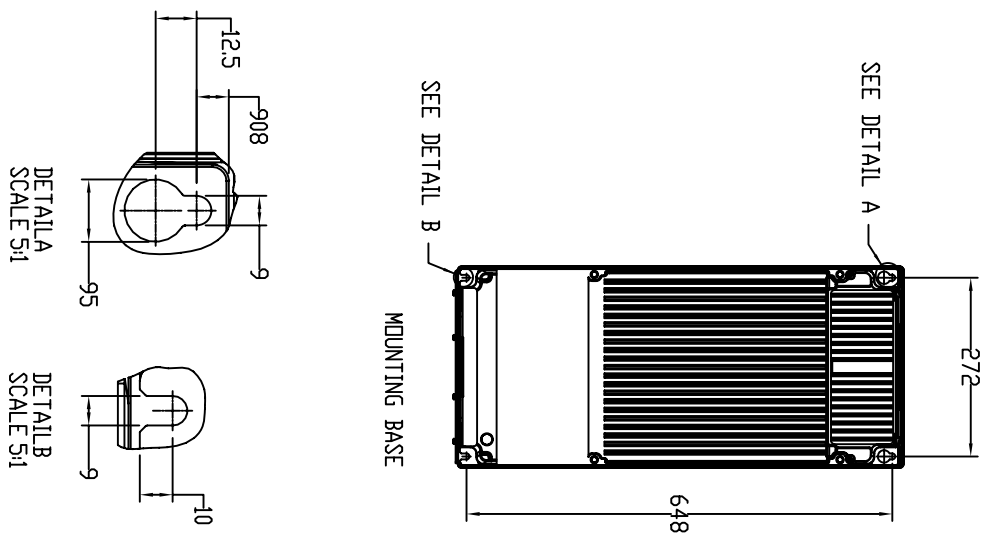


KVA RATING	MAX. FUSE SIZE AT 380-500V	50% NOISE RATING dBA	100% NOISE RATING dBA	WEIGHT Kgs.
37	100A	52	62	45
45	125A	52	62	45
55	160A	52	62	45



LAST MODIFICATION DETAILS

SEE ECD 8785 (AHBP)
TITLE WAS FC102
VLT HVAC DRIVE REMOVED

ISSUE DATE 09/07/2009 DRN BSD
CHK BSD APP PK

ALL DIMENSIONS IN mm
DRAWN TO BS308
WELDING SYMBOLS TO BS499
SURFACE FINISH SHOWN IN MICRO METERS
MACHINE WHERE SHOWN TO TOLERANCE ± 0.3MM UNLESS OTHERWISE STATED

JOB No.	PART No.	WEIGHT KG	FILE NAME
-	-	-	-
DESIGN No.	PATTERN No.	MATERIAL	MAT'L SPEC.
-	-	-	-

TITLE
IVS102 FREQUENCY
INVERTER DRIVE
C1 CHASSIS

DRG No. CP12069-C
DATE 20/05/2009 DRN BSD
CHK BSD APP PK
SCALE 1:1 SHEET 1 OF 1



WENLOCK WAY, MANCHESTER, M12 5JL
TEL: +44 (0) 161 223 2223