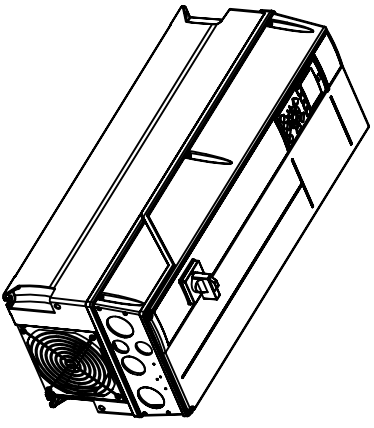
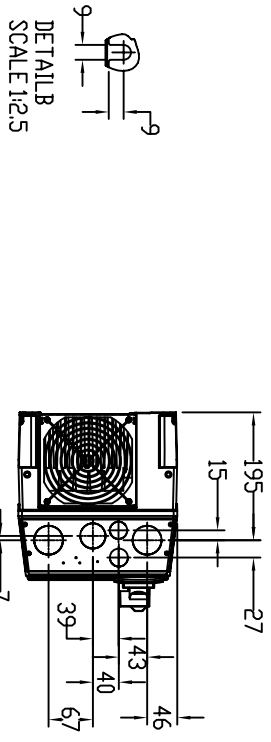
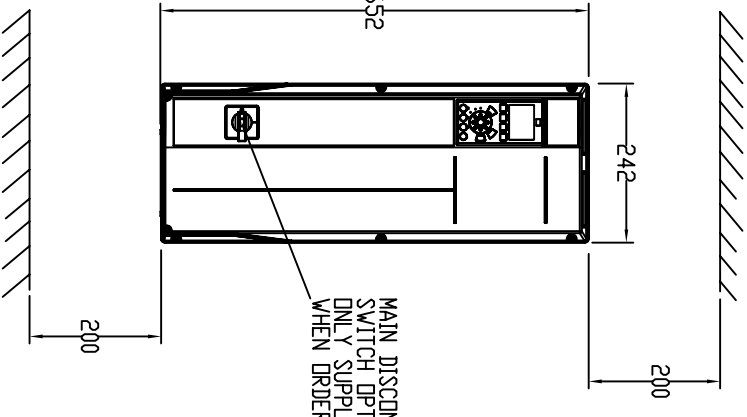
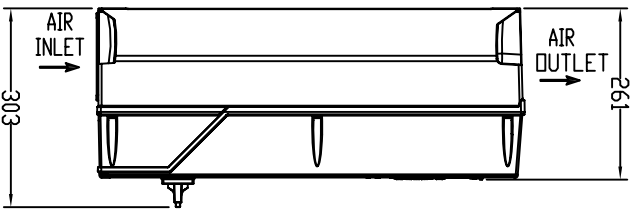
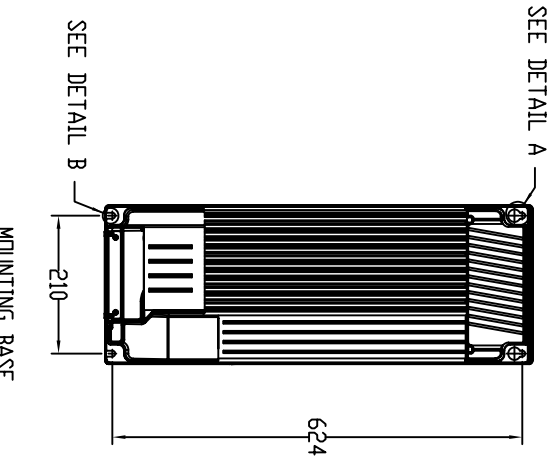


KW RATING	MAX. FUSE SIZE AT 50% AT	NOISE RATING 50% AT	NOISE RATING 100% AT	WEIGHT KGS.
22	63A	58 dBA	70 dBA	27
30	80A	58 dBA	70 dBA	27



LAST MODIFICATION DETAILS
 SEE ECD 8785 (AHBP)
 TITLE WAS FC102
 VLT HVAC DRIVE REMOVED

ALL DIMENSIONS IN mm
 DRAWN TO BS308
 WELDING SYMBOLS TO BS499
 SURFACE FINISH SHOWN IN MICROMETERS
 MACHINE WHERE SHOWN TO TOLERANCE ± 0.3MM UNLESS OTHERWISE STATED

JOB No.	PART No.	WEIGHT KG	FILE NAME
-	-	-	-

DESIGN No.	PATTERN No.	MATERIAL	MAT'L SPEC.
-	-	-	-

THIS DRAWING IS THE PRIVATE AND CONFIDENTIAL PROPERTY OF ARMSTRONG HOLDEN BROOKE PULLEN LTD. ALL COPYRIGHT, MANUFACTURING AND SALES RIGHTS RESERVED.

TITLE
 IVS102 FREQUENCY INVERTER DRIVE B2 CHASSIS

DRG No. CP12068-C

DATE: 20/05/2009
 CHK BSD
 SCALE 1:1

APP PK
 SHEET 1 OF 1

ARMSTRONG
 WENLOCK WAY, MANCHESTER, M12 5JL
 TEL: +44 (0) 161 223 2223