

FLO-TREX VALVES STRAIGHT AND ANGLED FLANGED SIZES 2.5" - 12" | SUBMITTAL

File No: 35-54IEC
Date: JANUARY 17, 2025
Supersedes: 35-54IEC
Date: JANUARY 15, 2021

Job: _____ Representative: _____
 _____ Ordered by: _____ Date: _____
 Engineer: _____ Submitted by: _____ Date: _____
 Contractor: _____ Approved by: _____ Date: _____

FLO-TREX VALVE SCHEDULE

PUMP NO.	QTY.	FTV-F MODEL AND SIZE	CONFIGURATION		PN FLANGE RATING (BAR)		INSULATION (OPTIONAL) CHECK IF REQUIRED		PUMP DESCRIPTION
			STRAIGHT	ANGLED	PN 16	PN 25	STRAIGHT	ANGLED	

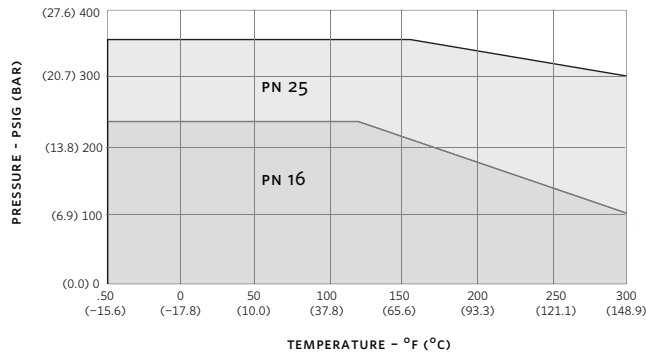
MATERIALS OF CONSTRUCTION

PN flange rating	16 bar	25 bar
Body		
upto 150 mm	Cast iron	-
200 mm	Cast iron	Ductile iron
250 mm & 300 mm	Ductile iron	Ductile iron
Disc	Brass ASTM B584-C84400	
Seat guide (65 mm thru 150mm)	High strength engineered resin	
Seat Gasket & O-ring	VITON	
Stem	Stainless steel ASTM A582 type 416	
Spring	Stainless steel ASTM A313 type 302	
Bonnet O-ring	VITON (stem) elastomers	
Metering ports (2)	Brass body with EPDM check and gasketed cap	
Drain tappings (2)	1/4" NPT with brass plug	

MAXIMUM PUMP OPERATING CONDITIONS

- PN 16**
 Maximum pressure: 16 bar
 Maximum temperature: 150°C
- PN 25**
 Maximum pressure: 26 bar
 Maximum temperature: 150°C

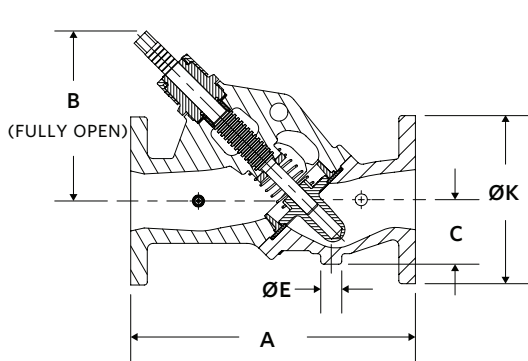
PRESSURE TEMPERATURE LIMITS



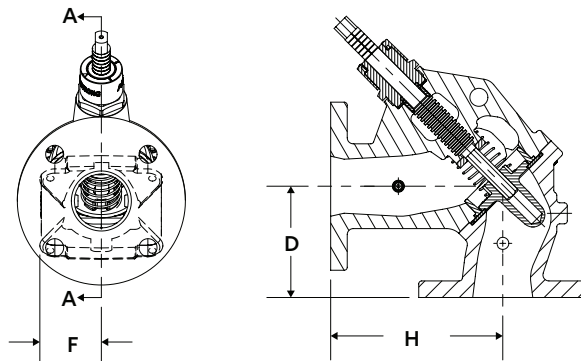
MODEL NUMBER	PART NUMBER	RATING	CONNECTION	TYPE	CONNECTION mm (inches)	DIMENSIONS mm (inches)								WEIGHT kg (lbs)
						A	B	C	D	ØE	F	H	ØK	
FTV-2.5FS	570200-546	PN 16	Flanged	Straight	65 (2.5)	302 (11.9)	178 (7.00)	68 (2.69)	-	22 (0.88)	65 (2.56)	-	178 (7.00)	14.9 (33.0)
FTV-3FS	570200-547	PN 16	Flanged	Straight	75 (3.0)	297 (11.69)	198 (7.81)	64 (2.51)	-	22 (0.88)	76 (3.00)	-	191 (7.50)	17.7 (39.0)
FTV-4FS	570200-548	PN 16	Flanged	Straight	100 (4.0)	355 (13.96)	203 (8.00)	79 (3.12)	-	29 (1.13)	87 (3.42)	-	229 (9.00)	26.7 (59.0)
FTV-5FS	570200-549	PN 16	Flanged	Straight	125 (5.0)	441 (17.38)	257 (10.13)	98 (3.74)	-	29 (1.13)	121 (4.77)	-	254 (10.0)	49.0 (108.0)
FTV-6FS	570200-550	PN 16	Flanged	Straight	150 (6.0)	523 (20.59)	264 (10.38)	115 (4.52)	-	44 (1.75)	150 (5.9)	-	279 (11.0)	75.8 (167.0)
FTV-8FS	570200-551	PN 16	Flanged	Straight	200 (8.0)	706 (27.8)	476 (18.75)	145 (5.69)	-	48 (1.88)	200 (7.88)	-	343 (13.5)	156.0 (344.0)
FTV-10FS	570200-552	PN 16	Flanged	Straight	250 (10.0)	762 (30.01)	610 (24.0)	168 (6.63)	-	48 (1.88)	242 (9.53)	-	406 (16.0)	323.0 (603.0)
FTV-12FS	570200-553	PN 16	Flanged	Straight	300 (12.0)	966 (38.03)	667 (26.25)	194 (7.65)	-	48 (1.88)	321 (12.63)	-	483 (19.0)	456.3 (1006.0)
FTV-8HFS	570200-611	PN 25	Flanged	Straight	200 (8.0)	706 (27.8)	476 (18.75)	145 (5.69)	-	48 (1.88)	200 (7.88)	-	376 (14.82)	179.6 (396.0)
FTV-10HFS	570200-612	PN 25	Flanged	Straight	250 (10.0)	762 (30.01)	610 (24.0)	168 (6.63)	-	48 (1.88)	242 (9.53)	-	445 (17.5)	323.0 (712.0)
FTV-12HFS	570200-613	PN 25	Flanged	Straight	300 (12.0)	966 (38.03)	667 (26.25)	194 (7.65)	-	48 (1.88)	321 (12.63)	-	521 (20.5)	527.5 (1163.0)
FTV-2.5FA	570200-556	PN 16	Flanged	Angled	65 (2.5)	-	178 (7.00)	68 (2.69)	118 (4.64)	22 (0.88)	65 (2.56)	182 (7.17)	178 (7.00)	14.9 (33.0)
FTV-3FA	570200-557	PN 16	Flanged	Angled	75 (3.0)	-	198 (7.81)	64 (2.51)	92 (3.64)	22 (0.88)	76 (3.00)	203 (8.01)	191 (7.50)	17.7 (39.0)
FTV-4FA	570200-558	PN 16	Flanged	Angled	100 (4.0)	-	203 (8.00)	79 (3.12)	111 (4.38)	29 (1.13)	87 (3.42)	243 (9.58)	229 (9.00)	26.7 (59.0)
FTV-5FA	570200-559	PN 16	Flanged	Angled	125 (5.0)	-	257 (10.13)	98 (3.74)	138 (5.43)	29 (1.13)	121 (4.77)	304 (11.97)	254 (10.0)	49.0 (108.0)
FTV-6FA	570200-560	PN 16	Flanged	Angled	150 (6.0)	-	264 (10.38)	115 (4.52)	165 (6.49)	44 (1.75)	150 (5.9)	358 (14.1)	279 (11.0)	75.8 (167.0)
FTV-8FA	570200-561	PN 16	Flanged	Angled	200 (8.0)	-	476 (18.75)	145 (5.69)	223 (8.79)	48 (1.88)	200 (7.88)	481 (18.94)	343 (13.5)	156.0 (344.0)
FTV-10FA	570200-562	PN 16	Flanged	Angled	250 (10.0)	-	610 (24.0)	168 (6.63)	248 (9.77)	48 (1.88)	242 (9.53)	516 (20.33)	406 (16.0)	323.0 (603.0)
FTV-12FA	570200-563	PN 16	Flanged	Angled	300 (12.0)	-	667 (26.25)	194 (7.65)	357 (14.04)	48 (1.88)	321 (12.63)	610 (24.02)	483 (19.0)	456.3 (1006.0)
FTV-8HFA	570200-631	PN 25	Flanged	Angled	200 (8.0)	-	476 (18.75)	145 (5.69)	225 (8.87)	48 (1.88)	200 (7.88)	481 (18.94)	376 (14.82)	179.6 (396.0)
FTV-10HFA	570200-632	PN 25	Flanged	Angled	250 (10.0)	-	610 (24.0)	168 (6.63)	248 (9.77)	48 (1.88)	242 (9.53)	516 (20.33)	445 (17.5)	322.0 (712.0)
FTV-12HFA	570200-633	PN 25	Flanged	Angled	300 (12.0)	-	667 (26.25)	194 (7.65)	357 (14.04)	48 (1.88)	321 (12.63)	610 (24.00)	521 (20.5)	527.5 (1163.0)

- Dimensions and weights are for reference only. Dimensions are mm (inches) and weights are kg (lbs).
- Tolerance of ±3 mm (±0.125") should be used
- For exact installation data, please write factory for certified dimensions

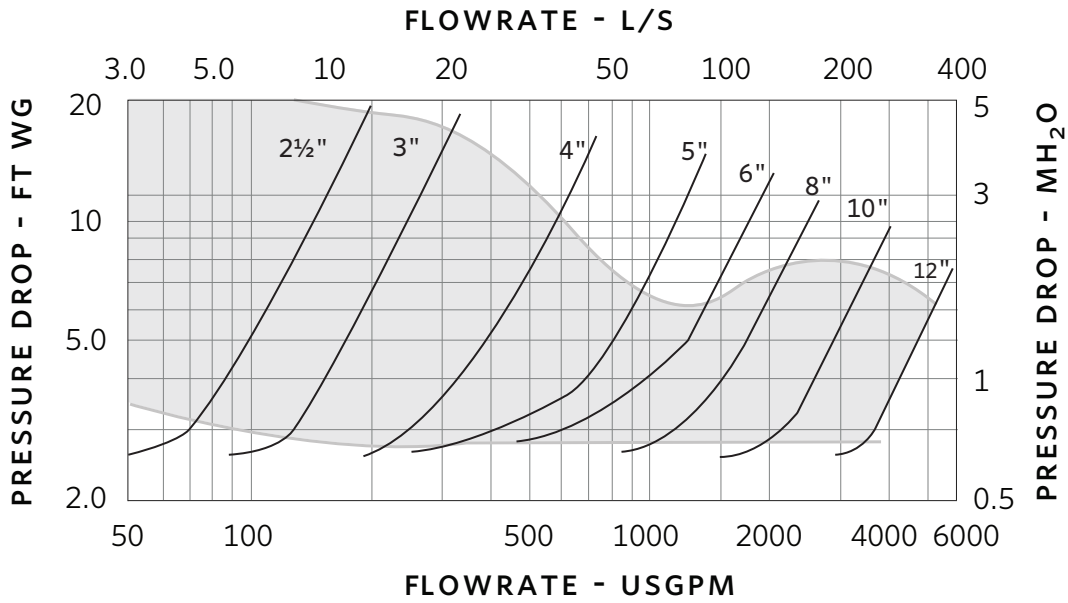
FLANGED, STRAIGHT - MODEL FTV-FS



FLANGED, ANGLED - MODEL FTV-FA



**FLO-TREX PERFORMANCE CURVE
WITH VALVE IN FULL OPEN POSITION**



TORONTO

23 BERTRAND AVENUE,
TORONTO, ONTARIO,
CANADA, M1L 2P3
+1 416 755 2291

BUFFALO

93 EAST AVENUE, NORTH
TONAWANDA, NEW YORK,
USA, 14120-6594
+1 716 693 8813

DROITWICH SPA

POINTON WAY, STONEBRIDGE CROSS
BUSINESS PARK, DROITWICH SPA,
WORCESTERSHIRE,
UNITED KINGDOM, WR9 0LW
+44 121 550 5333

MANCHESTER

WOLVERTON STREET, MANCHESTER
UNITED KINGDOM, M11 2ET
+44 161 223 2223

BANGALORE

#18, LEWIS WORKSPACE, 3RD FLOOR,
OFF MILLERS - NANDIDURGA ROAD,
JAYAMAHAL CBD, BENSON TOWN,
BANGALORE, INDIA 560 046
+91 80 4906 3555

SHANGHAI

UNIT 903, 888 NORTH SICHUAN RD.
HONGKOU DISTRICT, SHANGHAI
CHINA, 200085
+86 21 5237 0909

BEIJING

ROOM 1612, NANYIN BUILDING NO.2
NORTH EAST THRID RING ROAD
CHAOYANG DISTRICT, BEIJING,
CHINA 100027
+86 21 5237 0909

SÃO PAULO

RUA JOSÉ SEMIÃO RODRIGUES
AGOSTINHO, 1370 GALPÃO 6 EMBU
DAS ARTES, SAO PAULO, BRAZIL
+55 11 4785 1330

LYON

93 RUE DE LA VILLETTE
LYON, 69003 FRANCE
+33 4 26 83 78 74

DUBAI

JAFZA VIEW 19, OFFICE 402
P.O. BOX 18226 JAFZA,
DUBAI - UNITED ARAB EMIRATES
+971 4 887 6775

JIMBOLIA

STR CALEA MOTILOR NR. 2C
JIMBOLIA 305400, JUD.TIMIS
ROMANIA
+40 256 360 030

FRANKFURT

WESTERBACHSTRASSE 32,
D-61476 KRONBERG IM TAUNUS
GERMANY
+49 6173 999 77 55

ARMSTRONG FLUID TECHNOLOGY®
ESTABLISHED 1934

ARMSTRONGFLUIDTECHNOLOGY.COM