

FLO-TREX VALVES STRAIGHT AND ANGLED FLANGED SIZES 2.5"- 12" | SUBMITTAL

File No: 35-54
Date: JANUARY 15, 2021
Supersedes: 35-54
Date: SEPTEMBER 18, 2020

Job: _____ Representative: _____
 _____ Ordered by: _____ Date: _____
 Engineer: _____ Submitted by: _____ Date: _____
 Contractor: _____ Approved by: _____ Date: _____

FLO-TREX VALVE SCHEDULE									
PUMP NO.	QTY.	FTV-F MODEL AND SIZE	CONFIGURATION		ANSI FLANGE RATING (PSIG)		INSULATION (OPTIONAL) CHECK IF REQUIRED		PUMP DESCRIPTION
			STRAIGHT	ANGLED	ANSI 125	ANSI 250	STRAIGHT	ANGLED	

MATERIALS OF CONSTRUCTION

ANSI flange rating 125 psi 250 psi

Body
 2.5" thru 6" Cast iron –
 8" Cast iron Ductile iron
 10" & 12" Ductile iron Ductile iron

Disc Brass ASTM B584-C84400

Seat guide High strength engineered resin
 (2.5" thru 6")

Seat Gasket & O-ring EPDM^①

Stem Stainless steel ASTM A582 type 416

Spring Stainless steel ASTM A313 type 302

Bonnet O-ring Buna (stem) elastomers

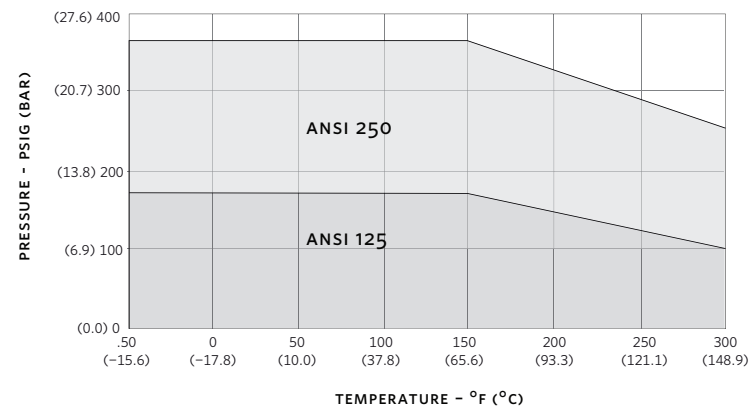
Metering ports (2) Brass body with EPDM check and gasketed cap

Drain tappings (2) ¼" NPT with brass plug

MAXIMUM PUMP OPERATING CONDITIONS

- ANSI 125**
 175 psig at 150°F (12 bar at 65°C)
 100 psig at 300°F (7 bar at 150°C)
- ANSI 250**
 375 psig at 150°F (26 bar at 65°C)
 260 psig at 300°F (18 bar at 150°C)

PRESSURE TEMPERATURE LIMITS

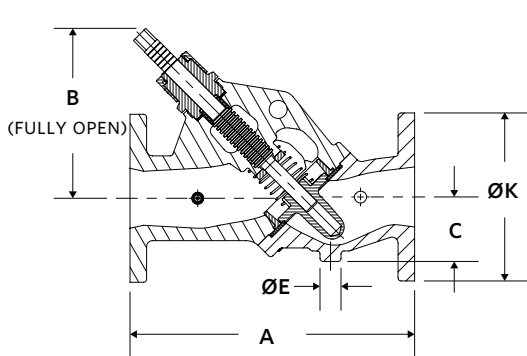


① EPDM Elastomers are not suitable for oil service.

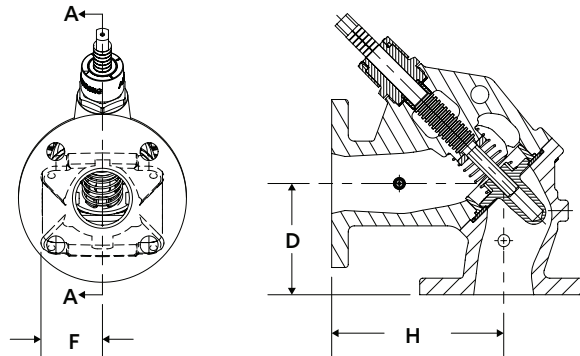
MODEL NUMBER	PART NUMBER	RATING	CONNECTION	TYPE	CONNECTION	DIMENSIONS inches (mm)								WEIGHT lbs (kgs)
						A	B	C	D	ØE	F	H	ØK	
FTV-2.5FS	570200-376	ANSI 125	Flanged	Straight	2.50 (64)	11.90 (302)	7.00 (178)	2.69 (68)	-	0.88 (22)	2.56 (65)	-	7.00 (178)	33.0 (14.9)
FTV-3FS	570200-377	ANSI 125	Flanged	Straight	3.00 (76)	11.69 (297)	7.81 (198)	2.51 (64)	-	0.88 (22)	3.00 (76)	-	7.50 (191)	39.0 (17.7)
FTV-4FS	570200-378	ANSI 125	Flanged	Straight	4.00 (102)	13.96 (355)	8.00 (203)	3.12 (79)	-	1.13 (29)	3.42 (87)	-	9.00 (229)	59.0 (26.7)
FTV-5FS	570200-379	ANSI 125	Flanged	Straight	5.00 (127)	17.38 (441)	10.13 (257)	3.74 (95)	-	1.13 (29)	4.77 (121)	-	10.00 (254)	108.0 (49.0)
FTV-6FS	570200-380	ANSI 125	Flanged	Straight	6.00 (152)	20.59 (523)	10.38 (264)	4.52 (115)	-	1.75 (44)	5.90 (150)	-	11.00 (279)	167.0 (75.8)
FTV-8FS	570200-381	ANSI 125	Flanged	Straight	8.00 (203)	27.80 (706)	18.75 (476)	5.69 (145)	-	1.88 (48)	7.88 (200)	-	13.50 (343)	344.0 (156.0)
FTV-10FS	570200-382	ANSI 125	Flanged	Straight	10.00 (254)	30.01 (762)	24.00 (610)	6.63 (168)	-	1.88 (48)	9.53 (242)	-	16.00 (406)	603.0 (323.0)
FTV-12FS	570200-383	ANSI 125	Flanged	Straight	12.00 (305)	38.03 (966)	26.25 (667)	7.65 (194)	-	1.88 (48)	12.63 (321)	-	19.00 (483)	1006.0 (456.3)
FTV-2.5FA	570200-476	ANSI 125	Flanged	Angled	2.50 (64)	-	7.00 (178)	2.69 (68)	4.64 (118)	0.88 (22)	2.56 (65)	7.17 (182)	7.00 (178)	33.0 (14.9)
FTV-3FA	570200-477	ANSI 125	Flanged	Angled	3.00 (76)	-	7.81 (198)	2.51 (64)	3.64 (92)	0.88 (22)	3.00 (76)	8.01 (203)	7.50 (191)	39.0 (17.7)
FTV-4FA	570200-478	ANSI 125	Flanged	Angled	4.00 (102)	-	8.00 (203)	3.12 (79)	4.38 (111)	1.13 (29)	3.42 (87)	9.58 (243)	9.00 (229)	59.0 (26.7)
FTV-5FA	570200-479	ANSI 125	Flanged	Angled	5.00 (127)	-	10.13 (257)	3.74 (95)	5.43 (138)	1.13 (29)	4.77 (121)	11.97 (304)	10.00 (254)	108.0 (49.0)
FTV-6FA	570200-480	ANSI 125	Flanged	Angled	6.00 (152)	-	10.38 (264)	4.52 (115)	6.49 (165)	1.75 (44)	5.90 (150)	14.10 (358)	11.00 (279)	167.0 (75.8)
FTV-8FA	570200-481	ANSI 125	Flanged	Angled	8.00 (203)	-	18.75 (476)	5.69 (145)	8.79 (223)	1.88 (48)	7.88 (200)	18.94 (481)	13.50 (343)	344.0 (156.0)
FTV-10FA	570200-482	ANSI 125	Flanged	Angled	10.00 (254)	-	24.00 (610)	6.63 (168)	9.77 (248)	1.88 (48)	9.53 (242)	20.33 (516)	16.00 (406)	603.0 (323.0)
FTV-12FA	570200-483	ANSI 125	Flanged	Angled	12.00 (305)	-	26.25 (667)	7.65 (194)	14.04 (357)	1.88 (48)	12.63 (321)	24.02 (610)	19.00 (483)	1006.0 (456.3)
FTV-8HFS	570200-661	ANSI 250	Flanged	Straight	8.00 (203)	27.96 (710)	18.75 (476)	5.69 (145)	-	1.88 (48)	7.88 (200)	-	14.82 (376)	396.0 (179.6)
FTV-10HFS	570200-662	ANSI 250	Flanged	Straight	10.00 (254)	30.01 (762)	24.00 (610)	6.63 (168)	-	1.88 (48)	9.53 (242)	-	17.50 (445)	712.0 (323.0)
FTV-12HFS	570200-663	ANSI 250	Flanged	Straight	12.00 (305)	37.99 (965)	26.25 (667)	7.65 (194)	-	1.88 (48)	12.63 (321)	-	20.50 (521)	1163.0 (527.5)
FTV-8HFA	570200-681	ANSI 250	Flanged	Angled	8.00 (203)	-	18.75 (476)	5.69 (145)	8.87 (225)	1.88 (48)	7.88 (200)	19.02 (483)	14.82 (376)	344.0 (156.0)
FTV-10HFA	570200-682	ANSI 250	Flanged	Angled	10.00 (254)	-	24.00 (610)	6.63 (168)	9.77 (248)	1.88 (48)	9.53 (242)	20.33 (516)	17.50 (445)	712.0 (323.0)
FTV-12HFA	570200-683	ANSI 250	Flanged	Angled	12.00 (305)	-	26.25 (667)	7.65 (194)	14.02 (356)	1.88 (48)	12.63 (321)	24.00 (610)	20.50 (521)	1163.0 (527.5)

- Dimensions and weights are for reference only. Dimensions are inches (mm) and weights are lbs (kg).
- Tolerance of ±0.125" (±3 mm) should be used
- For exact installation data, please write factory for certified dimensions

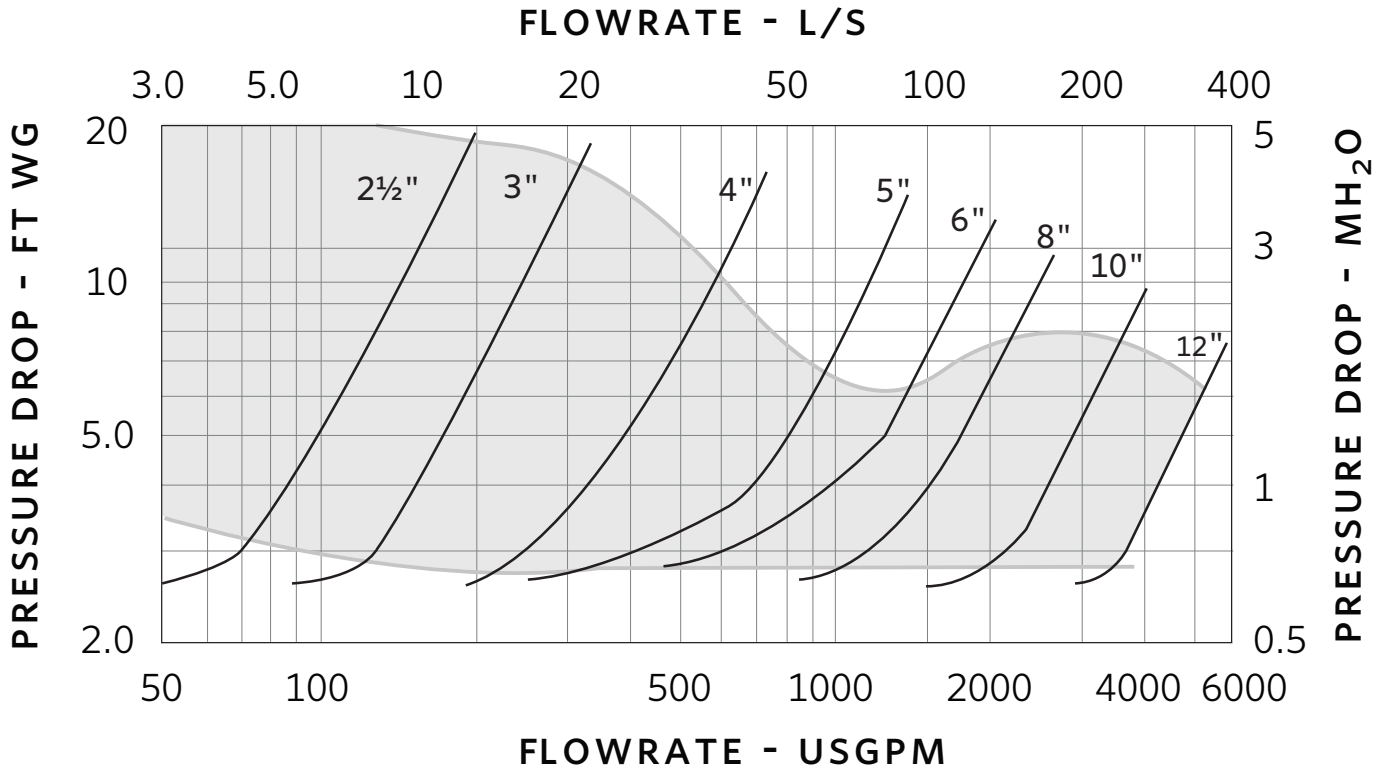
FLANGED, STRAIGHT - MODEL FTV-FS



FLANGED, ANGLED - MODEL FTV-FA



**FLO-TREX PERFORMANCE CURVE
WITH VALVE IN FULL OPEN POSITION**



TORONTO

23 BERTRAND AVENUE
TORONTO, ONTARIO
CANADA, M1L 2P3
+1 416 755 2291

BUFFALO

93 EAST AVENUE
NORTH TONAWANDA, NEW YORK
U.S.A., 14120-6594
+1 716 693 8813

BIRMINGHAM

HEYWOOD WHARF, MUCKLOW HILL
HALESOWEN, WEST MIDLANDS
UNITED KINGDOM, B62 8DJ
+44 8444 145 145

MANCHESTER

WOLVERTON STREET
MANCHESTER
UNITED KINGDOM, M11 2ET
+44 8444 145 145

BANGALORE

#59, FIRST FLOOR, 3RD MAIN
MARGOSA ROAD, MALLESWARAM
BANGALORE, INDIA, 560 003
+91 80 4906 3555

SHANGHAI

UNIT 903, 888 NORTH SICHUAN RD.
HONGKOU DISTRICT, SHANGHAI
CHINA, 200085
+86 21 5237 0909

SÃO PAULO

RUA JOSÉ SEMIÃO RODRIGUES AGOSTINHO,
1370 GALPÃO 6 EMBU DAS ARTES
SAO PAULO, BRAZIL
+55 11 4785 1330

LYON

93 RUE DE LA VILLETTE
LYON, 69003 FRANCE
+33 4 26 83 78 74

DUBAI

JAFZA VIEW 19, OFFICE 402
P.O.BOX 18226 JAFZA,
DUBAI - UNITED ARAB EMIRATES
+971 4 887 6775

MANNHEIM

DYNAMOSTRASSE 13
68165 MANNHEIM
GERMANY
+49 621 3999 9858