

3000 gpm with 12 x 24 1/2 Fabricated Steel Head

SUBMITTAL

VERTICAL TURBINE ELECTRIC
FIRE PUMP



3000 G.P.M. T.D.H.
 FM UL NFPA-20 ONLY
 APPROVAL CONSTRUCTION

MODEL 12x18L VTF
 12 x 24 1/2 "F" DISCHARGE HEAD
 1770 R.P.M. WATER LUBE

MOTOR _____ HP _____
 VOLT _____ PH _____ HZ _____
 CONTROLLER MODEL _____

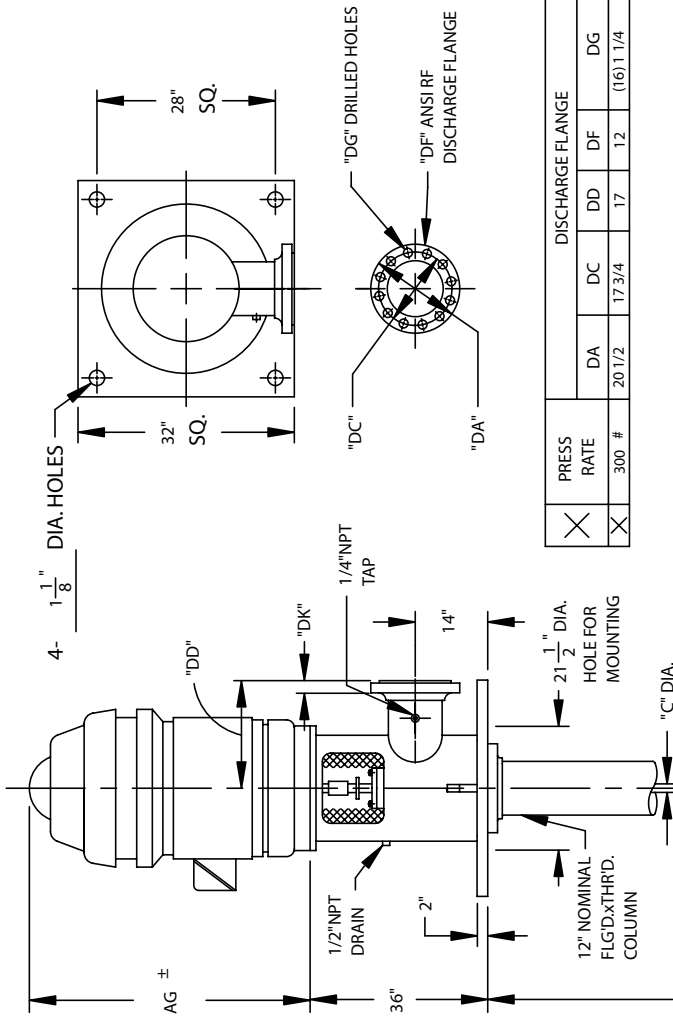
JOB NAME: _____
 ITEM NO. _____

CUSTOMER _____

ORDER NO. _____
 MFG. REP. _____

DWG. NO. _____
 SERIAL NO. _____

NOT TO BE USED FOR CONSTRUCTION UNLESS CERTIFIED
 By: _____ Date: _____



PRESS RATE	DISCHARGE FLANGE						DK
	DA	DC	DD	DF	DG	DK	
300 #	20 1/2	17 3/4	17	12	(16) 1 1/4	2	

NO. OF STGS.	DISCH. SIZE & RATING	AG	B		C
			AG	C	
3	12/200#	65 1/4	66 1/2	1 15/16	
4	-	65 1/4	66 1/2	2 1/4	

NOTES:

- 1 DIMENSION BASED ON MOTOR HEIGHT OF A STANDARD WP-I HOLLOW SHAFT MOTOR. SUBJECT TO CHANGE DEPENDING ON MOTOR MFG. AND/OR THE USE OF A MOTOR ADPTOR.
- 2 DIMENSIONS ARE IN INCHES UNLESS OTHERWISE INDICATED.
- 3 WHEN MOTOR IS OIL LUBRICATED, OIL IS NOT FURNISHED. SEE OPERATION MANUAL FOR MANUFACTURER'S RECOMMENDATIONS.