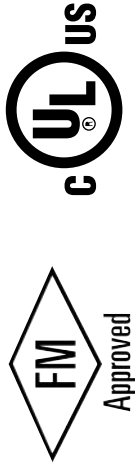


2000 gpm with 10 x 16 1/2 Cast Iron Head

SUBMITTAL

VERTICAL TURBINE ELECTRIC
FIRE PUMP



2000 G.P.M. _____ T.D.H. _____
 FM UL NFPA-20 ONLY
 APPROVAL CONSTRUCTION

MODEL 10x15H VTF
 10 x 16 1/2 "A" DISCHARGE HEAD
 1770 R.P.M. WATER LUBE

MOTOR _____ HP _____
 VOLT _____ PH _____ HZ _____
 CONTROLLER MODEL _____

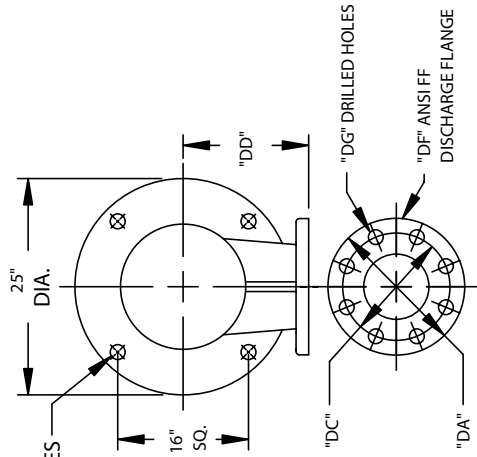
JOB NAME: _____
 ITEM NO. _____

CUSTOMER _____

ORDER NO. _____
 MFG. REP. _____

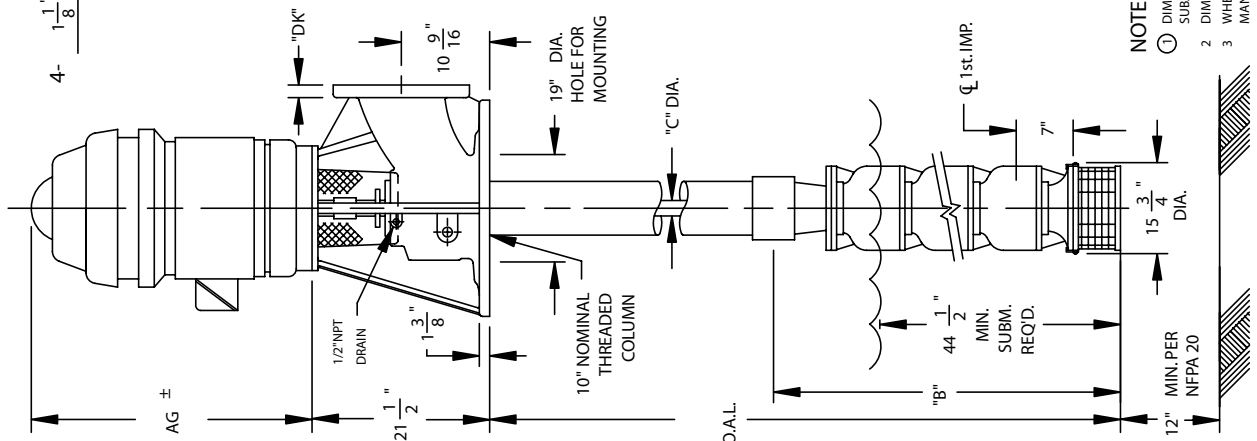
DWG. NO. _____
 SERIAL NO. _____

NOT TO BE USED
 FOR CONSTRUCTION
 UNLESS CERTIFIED
 By: _____ Date: _____



PRESS RATE	DISCHARGE FLANGE					
	DA	DC	DD	DF	DG	DK
125 #	16	14 1/4	14	10	(12) 1	13/16
250 #	17 1/2	15 1/4	14 11/16	10	(16) 1 1/8	1 7/8

NO. OF STGS.	DISCH. SIZE & RATING	AG	B		C
			83 3/4	97 1/4	115/16
2	10/125#	53 7/16	56 3/4	1 1/2	1 1/2
3	"	53 7/16	70 1/4	1 1/2	1 1/2
3	"	61 7/8	70 1/4	1 11/16	1 11/16
3	"	61 7/8	70 1/4	1 15/16	1 15/16
4	10/250#	61 7/8	83 3/4	1 15/16	1 15/16
5	"	61 7/8	97 1/4	1 15/16	1 15/16



- NOTES:
- 1 DIMENSION BASED ON MOTOR HEIGHT OF A STANDARD WPI-HOLLOW SHAFT MOTOR. SUBJECT TO CHANGE DEPENDING ON MOTOR MFG. AND/OR THE USE OF A MOTOR ADAPTOR.
 - 2 DIMENSIONS ARE IN INCHES UNLESS OTHERWISE INDICATED.
 - 3 WHEN MOTOR'S OIL LUBRICATED OIL IS NOT FURNISHED, SEE OPERATION MANUAL FOR MANUFACTURER'S RECOMMENDATIONS.