



1500 gpm with 8 x 16 1/2 Cast Iron Head

SUBMITTAL

VERTICAL TURBINE ELECTRIC
 FIRE PUMP



1500 G.P.M. _____ T.D.H.
 FM UL NFPA-20 ONLY
 APPROVAL CONSTRUCTION

MODEL 8x12H VTF

8 x 16 1/2 "A" DISCHARGE HEAD
 1770 R.P.M. WATER LUBE

MOTOR _____ HP _____
 VOLT _____ PH _____ HZ _____
 CONTROLLER MODEL _____

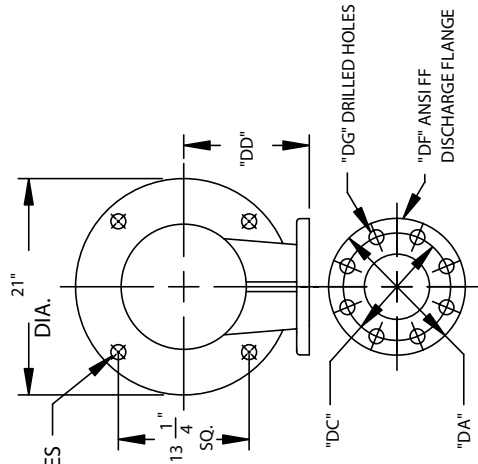
JOB NAME. _____
 ITEM NO. _____

CUSTOMER _____

ORDER NO. _____
 MFG. REP. _____

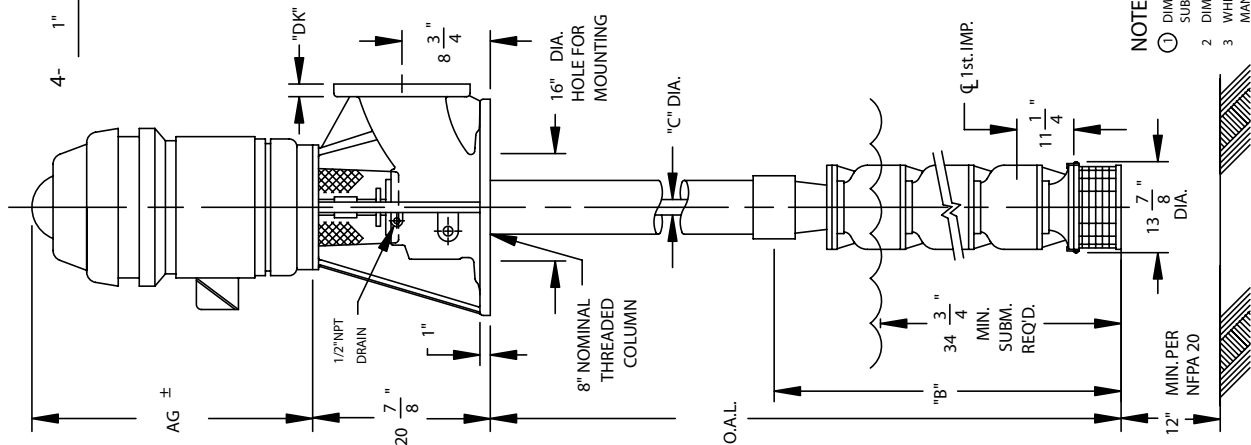
DWG. NO. _____
 SERIAL NO. _____

NOT TO BE USED
 FOR CONSTRUCTION
 UNLESS CERTIFIED
 By: _____ Date: _____



PRESS RATE	DISCHARGE FLANGE							
	DA	DC	DD	DF	DG	DK	DK	DK
125 #	13 1/2	11 3/4	11 1/2	8	(8) 7/8	1 1/8		
250 #	15	13	12	8	(12) 1	1 5/8		

NO OF STGS.	DISCH. SIZE & RATING	AG			B			C		
		AG	B	C	B	C	C	C	C	
4	8/125#	537/16	69 3/16	1 1/2						
5	"	537/16	79 1/2	1 1/2						
5	8/250#	537/16	79 1/2	1 1/2						
6	"	537/16	89 13/16	1 1/2						
6	"	537/16	89 13/16	1 11/16						
7	"	537/16	100 1/8	1 11/16						
8	"	617/8	110 7/16	1 11/16						
9	"	637/16	120 3/4	1 15/16						
10	"	637/16	131 11/16	1 15/16						



- NOTES:
- 1 DIMENSION BASED ON MOTOR HEIGHT OF A STANDARD WPI HOLLOW SHAFT MOTOR. SUBJECT TO CHANGE DEPENDING ON MOTOR MFG. AND/OR THE USE OF A MOTOR ADAPTOR.
 - 2 DIMENSIONS ARE IN INCHES UNLESS OTHERWISE INDICATED.
 - 3 WHEN MOTOR IS OIL LUBRICATED, OIL IS NOT FURNISHED. SEE OPERATION MANUAL FOR MANUFACTURER'S RECOMMENDATIONS.