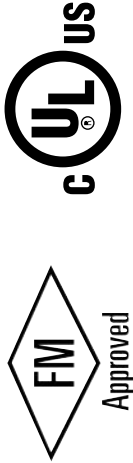


1000 gpm with 8 x 16 1/2 Cast Iron Head

SUBMITTAL

VERTICAL TURBINE ELECTRIC
FIRE PUMP



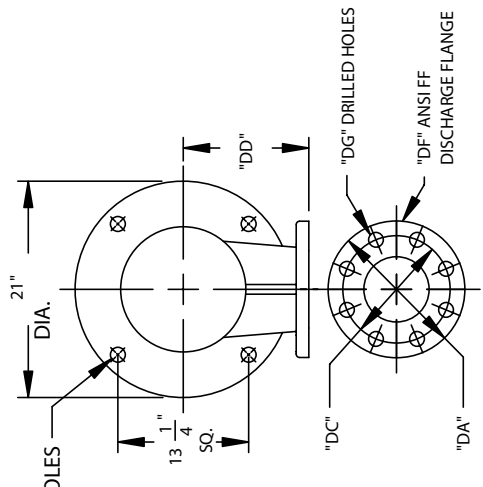
1000 G.P.M. _____ T.D.H.
 FM UL NFPA-20 ONLY
 APPROVAL CONSTRUCTION

MODEL 8x14M VTF

8 x 16 1/2 "A" DISCHARGE HEAD
1770 R.P.M. WATER LUBE

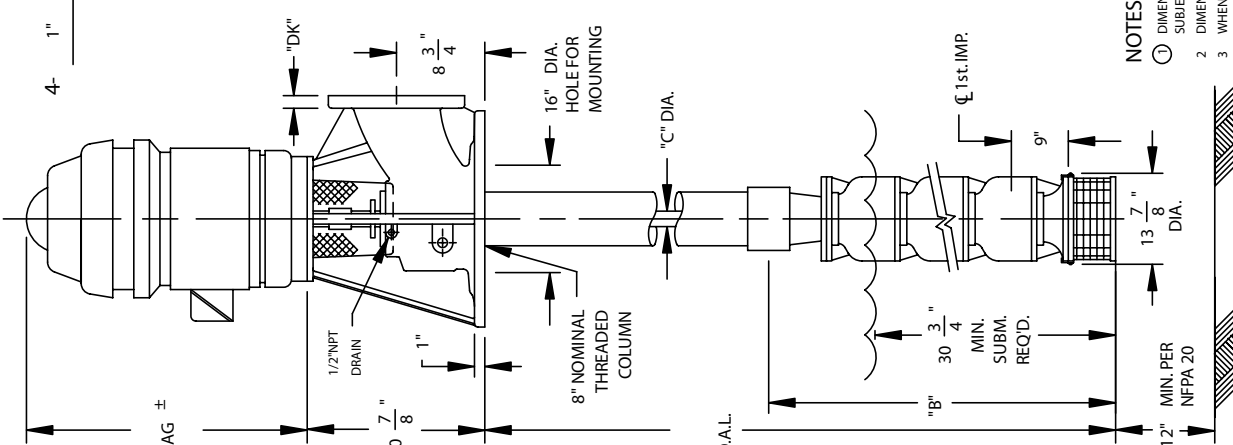
MOTOR _____ HP _____
 VOLT _____ PH _____ HZ _____
 CONTROLLER MODEL _____

JOB NAME: _____
 ITEM NO. _____
 CUSTOMER _____
 ORDER NO. _____
 MFG. REP. _____
 DWG. NO. _____
 SERIAL NO. _____
 NOT TO BE USED FOR CONSTRUCTION UNLESS CERTIFIED
 By: _____ Date: _____



| PRESS RATE | DISCHARGE FLANGE | | | | | |
|------------|------------------|--------|--------|----|---------|-------|
| | DA | DC | DD | DF | DG | DK |
| 125 # | 13 1/2 | 11 3/4 | 11 1/2 | 8 | (8) 7/8 | 1 1/8 |
| 250 # | 15 | 13 | 12 | 8 | (12) 1 | 1 5/8 |

| NO. OF STGS. | DISCH. SIZE & RATING | AG | | | B | C |
|--------------|----------------------|---------|--------|---------|---|---|
| | | ⊙ | ⊙ | ⊙ | | |
| 3 | 8/125# | 45 5/16 | 55 5/8 | 1 1/2 | | |
| 4 | " | 45 5/16 | 65 1/2 | 1 1/2 | | |
| 4 | 8/250# | 53 7/16 | 65 1/2 | 1 1/2 | | |
| 5 | " | 53 7/16 | 75 3/8 | 1 1/2 | | |
| 5 | " | 53 7/16 | 75 3/8 | 1 11/16 | | |
| 6 | " | 53 7/16 | 85 1/4 | 1 11/16 | | |
| 7 | " | 63 7/16 | 95 1/8 | 1 15/16 | | |
| 8 | " | 63 7/16 | 105 | 1 15/16 | | |



NOTES:
 1. DIMENSION BASED ON MOTOR HEIGHT OF A STANDARD WP-I HOLLOW SHAFT MOTOR. SUBJECT TO CHANGE DEPENDING ON MOTOR MFG. AND/OR THE USE OF A MOTOR ADAPTOR.
 2. DIMENSIONS ARE IN INCHES UNLESS OTHERWISE INDICATED.
 3. WHEN MOTOR IS OIL LUBRICATED, OIL IS NOT FURNISHED. SEE OPERATION MANUAL FOR MANUFACTURER'S RECOMMENDATIONS.

FP-EA-07 (REV#3)