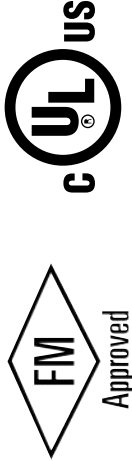


## 750 gpm with 8 x 20 Fabricated Steel Head

## SUBMITTAL

VERTICAL TURBINE ELECTRIC  
FIRE PUMP



750 G.P.M. \_\_\_\_\_ T.D.H.  
 FM  UL  NFPA-20 ONLY  
 APPROVAL  CONSTRUCTION

MODEL 8x12M VTF  
 8 x 20 "F" DISCHARGE HEAD  
 1770 R.P.M. WATER LUBE

MOTOR \_\_\_\_\_ HP \_\_\_\_\_  
 VOLT \_\_\_\_\_ PH \_\_\_\_\_ HZ \_\_\_\_\_  
 CONTROLLER MODEL \_\_\_\_\_

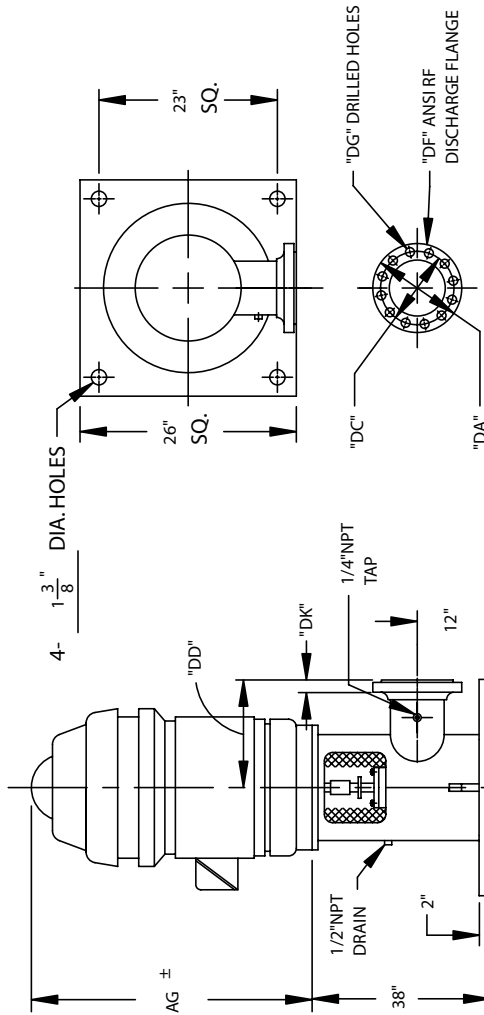
JOB NAME: \_\_\_\_\_  
 ITEM NO. \_\_\_\_\_

CUSTOMER \_\_\_\_\_

ORDER NO. \_\_\_\_\_  
 MFG. REP. \_\_\_\_\_

DWG. NO. \_\_\_\_\_  
 SERIAL NO. \_\_\_\_\_

NOT TO BE USED  
FOR CONSTRUCTION  
UNLESS CERTIFIED  
 By: \_\_\_\_\_ Date: \_\_\_\_\_



PRESS RATE	DISCHARGE FLANGE							
	DA	DC	DD	DF	DG	DK		
300 #	15	13	13	8	(12) 1	15/8		

NO. OF STGS.	DISCH. SIZE & RATING	AG	C		
			B	A	C
11	8/300#	53 7/16	117 7/8	1 11/16	1 11/16
12	-	53 7/16	127 1/4	1 11/16	1 11/16
13	-	53 7/16	136 5/8	1 11/16	1 11/16
14	-	61 7/8	146	1 15/16	1 15/16
15	-	61 7/8	155 3/8	1 15/16	1 15/16
16	-	61 7/8	164 3/4	1 15/16	1 15/16

NOTES :

- ① DIMENSION BASED ON MOTOR HEIGHT OF A STANDARD WP-1 HOLLOW SHAFT MOTOR. SUBJECT TO CHANGE DEPENDING ON MOTOR MFG. AND/OR THE USE OF A MOTOR ADAPTOR.
- ② DIMENSIONS ARE IN INCHES UNLESS OTHERWISE INDICATED.
- ③ WHEN MOTOR IS OIL LUBRICATED, OIL IS NOT FURNISHED. SEE OPERATION MANUAL FOR MANUFACTURER'S RECOMMENDATIONS.
- ④ NO DISCHARGE CASE SUPPLIED ELEVEN STAGES AND ABOVE.
- ⑤ DUCTILE IRON BOWLS REQUIRED ELEVEN STAGES AND ABOVE.

FP-EF-03 (REV#3)