



750 gpm with 8 x 16 1/2 Cast Iron Head

SUBMITTAL

VERTICAL TURBINE ELECTRIC
 FIRE PUMP



750 G.P.M. T.D.H. _____
 FM UL NFPA-20 ONLY
 APPROVAL CONSTRUCTION

MODEL 8x12M VTF

8 x 16 1/2 "A" DISCHARGE HEAD
 1770 R.P.M. WATER LUBE

MOTOR _____ HP _____
 VOLT _____ PH _____ HZ _____
 CONTROLLER MODEL _____

JOB NAME: _____

ITEM NO. _____

CUSTOMER _____

ORDER NO. _____

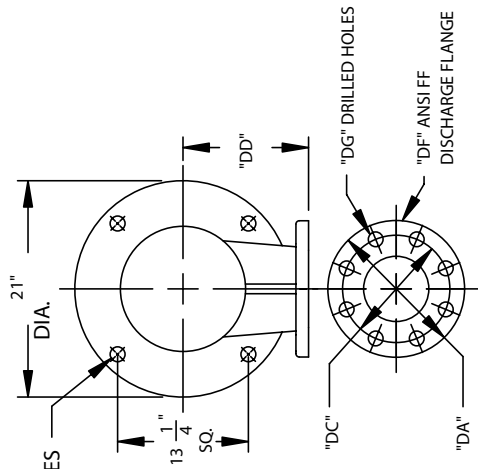
MFG. REP. _____

DWG. NO. _____

SERIAL NO. _____

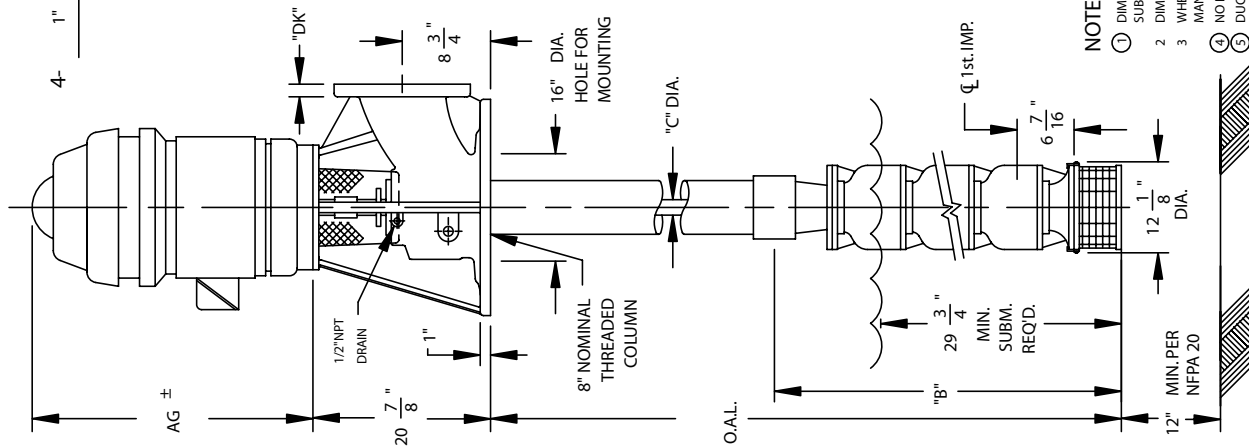
NOT TO BE USED
 FOR CONSTRUCTION
 UNLESS CERTIFIED

By: _____ Date: _____



PRESS RATE	DISCHARGE FLANGE					
	DA	DC	DD	DF	DG	DK
250 #	15	13	12	8	(12)1	15/8

NO. OF STGS.	DISCH. SIZE & RATING	AG	B		C
			4	5	
5	8/250#	45 5/16	68 5/8	1 1/4	1 1/4
6	"	45 5/16	78	1 1/2	1 1/2
7	"	53 7/16	87 3/8	1 1/2	1 1/2
8	"	53 7/16	96 3/4	1 1/2	1 1/2
9	"	53 7/16	106 1/8	1 1/2	1 1/2
10	"	53 7/16	115 1/2	1 1/2	1 1/2
11	"	53 7/16	117 7/8	1 1/16	1 1/16



NOTES:

- 1 DIMENSION BASED ON MOTOR HEIGHT OF A STANDARD WP-1 HOLLOW SHAFT MOTOR. SUBJECT TO CHANGE DEPENDING ON MOTOR MFG. AND/OR THE USE OF A MOTOR ADAPTOR.
- 2 DIMENSIONS ARE IN INCHES UNLESS OTHERWISE INDICATED.
- 3 WHEN MOTOR IS OIL LUBRICATED, OIL IS NOT FURNISHED. SEE OPERATION MANUAL FOR MANUFACTURER'S RECOMMENDATIONS.
- 4 NO DISCHARGE CASE SUPPLIED ELEVEN STAGES AND ABOVE.
- 5 DUCTILE IRON BOWLS REQUIRED ELEVEN STAGES AND ABOVE.