



500 gpm with 6 x 16 1/2 Cast Iron Head

SUBMITTAL

VERTICAL TURBINE ELECTRIC
 FIRE PUMP



500 G.P.M. _____ T.D.H.
 FM UL NFPA-20 ONLY
 APPROVAL CONSTRUCTION

MODEL 6x10H VTF
 6 x 16 1/2 "A" DISCHARGE HEAD
 1770 R.P.M. WATER LUBE

MOTOR _____ HP _____
 VOLT _____ PH _____ HZ _____
 CONTROLLER MODEL _____

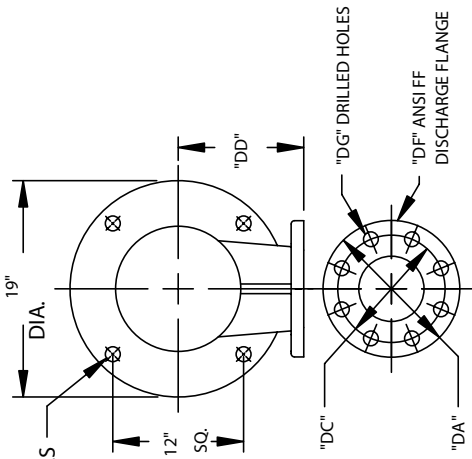
JOB NAME: _____
 ITEM NO. _____

CUSTOMER _____

ORDER NO. _____
 MFG. REP. _____

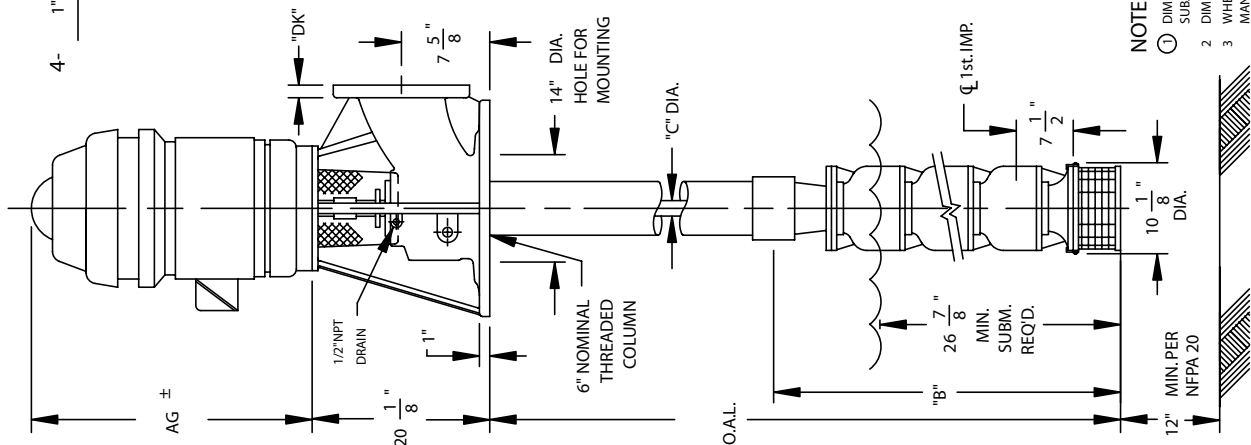
DWG. NO. _____
 SERIAL NO. _____

NOT TO BE USED
 FOR CONSTRUCTION
 UNLESS CERTIFIED
 By: _____ Date: _____



PRESS RATE	DISCHARGE FLANGE					
	DA	DC	DD	DF	DG	DK
250 #	12 1/2	10 5/8	10 11/16	6	(12) 7/8	17 1/16

NO. OF STGS.	DISCH. SIZE & RATING	AG	B		C
			B	C	
8	6/250#	40 1/4	88 15/16	1 1/4	
9	"	40 1/4	97 7/16	1 1/4	
10	"	45 5/16	105 15/16	1 1/4	
11	"	45 5/16	114 7/16	1 1/4	
12	"	45 5/16	122 15/16	1 1/4	
13	"	45 5/16	131 7/16	1 1/4	



NOTES:

- 1 DIMENSION BASED ON MOTOR HEIGHT OF A STANDARD WPI HOLLOW SHAFT MOTOR. SUBJECT TO CHANGE DEPENDING ON MOTOR MFG. AND/OR THE USE OF A MOTOR ADAPTOR.
- 2 DIMENSIONS ARE IN INCHES UNLESS OTHERWISE INDICATED.
- 3 WHEN MOTOR IS OIL LUBRICATED, OIL IS NOT FURNISHED. SEE OPERATION MANUAL FOR MANUFACTURER'S RECOMMENDATIONS.