

VERTICAL TURBINE DIESEL FIRE PUMP | 500 GPM WITH 6×12 CAST IRON HEAD | SUBMITTAL

File No: F51.602
Date: JULY 15, 2013
Supersedes: F51.602
Date: AUGUST 15, 2005

Job: _____ Representative: _____

Order no.: _____ Date: _____

Engineer: _____ Submitted by: _____ Date: _____

Contractor: _____ Approved by: _____ Date: _____

Model: 6 × 10H VTF **Discharge head:** 6 × 12 A

RPM: 1770 Water lube

500 GPM: _____ T.D.H

FM UL NFPA-20 only

Approval Construction

Engine model: _____

Ragd model: _____

Shaft model: _____

Controller model: _____

NOTES

- Dimension based on randolph gear drive. May vary when driver adaptor is required.
- Dimensions are in inches unless otherwise indicated.
- Engine to base mounting and cooling loop to be field installed and plumbed.
- Engine oil & anti freeze/coolant may not be included.
- Gear shipped filled with oil. Check level before installation.
- Refer dwg. no. _____ for Engine dimensions.
- Not to be used for construction unless certified.

PRESS RATE	DISCHARGE FLANGE INCH (mm)					
	DA	DC	DD	DF	DG	DK
125 #	11.00 (279)	9.50 (241)	10.25 (260)	6.00 (152)	0.88 (22)	1.00 (25)

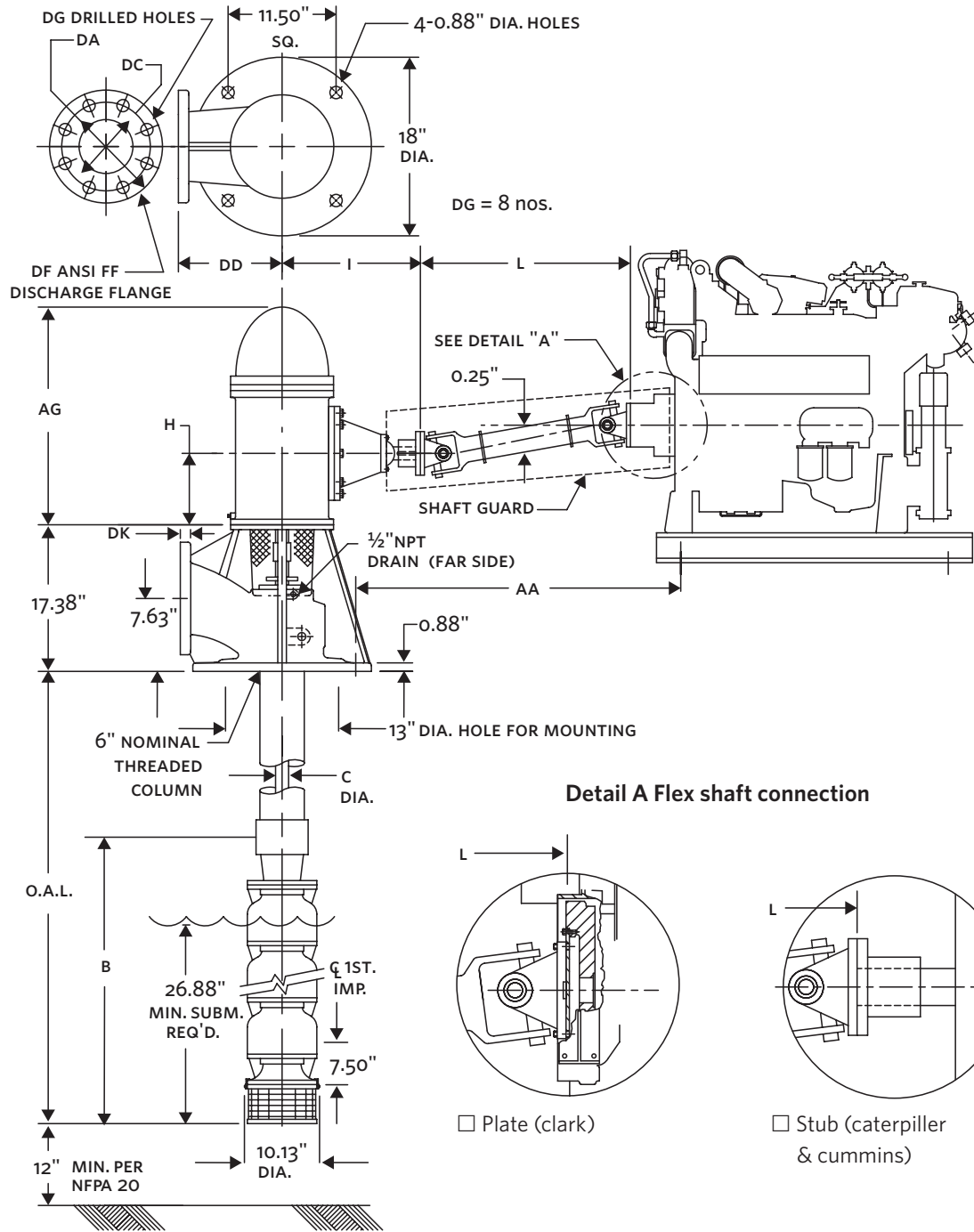


NO OF STG'S	DISCHARGE SIZE	RATING	RAGD	AG*	B	C	H*	I*	L	AA
	INCH (mm)		HP	INCH (mm)						
5	6 (152)	125	40	22.25 (565)	63.44 (1611)	1.00 (25)	8.50 (216)	17.00 (432)	—	—
6	6 (152)	125	60	22.25 (565)	71.94 (1827)	1.00 (25)	8.50 (216)	17.00 (432)	—	—
7	6 (152)	125	60-80	22.25 (565)	80.44 (2043)	1.00 (25)	8.50 (216)	17.00 (432)	—	—

* Dimension based on randolph gear drive. May vary when driver adaptor is required.

SUBMITTAL
500 GPM

Vertical turbine diesel Fire pump
500 GPM with 6 × 12 Cast iron head



TORONTO
+1 416 755 2291

BUFFALO
+1 716 693 8813

BIRMINGHAM
+44 (0) 8444 145 145

MANCHESTER
+44 (0) 8444 145 145

BANGALORE
+91 (0) 80 4906 3555

SHANGHAI
+86 21 3756 6696

ARMSTRONG FLUID TECHNOLOGY
ESTABLISHED 1934

ARMSTRONGFLUIDTECHNOLOGY.COM