

## VERTICAL TURBINE DIESEL FIRE PUMP | 250 GPM WITH 4×10 CAST IRON HEAD | SUBMITTAL

File No: F51.600  
Date: JULY 15, 2013  
Supersedes: F51.600  
Date: AUGUST 15, 2005

Job: \_\_\_\_\_ Representative: \_\_\_\_\_  
 \_\_\_\_\_ Order no.: \_\_\_\_\_ Date: \_\_\_\_\_  
 Engineer: \_\_\_\_\_ Submitted by: \_\_\_\_\_ Date: \_\_\_\_\_  
 Contractor: \_\_\_\_\_ Approved by: \_\_\_\_\_ Date: \_\_\_\_\_

**Model:** 4 × 8H VTF      **Discharge head:** 4 × 10 A

**RPM:** 1770 Water lube

**250 GPM:** \_\_\_\_\_ T.D.H

- FM       UL       NFPA-20 only
- Approval     Construction
- Engine model: \_\_\_\_\_
- Ragd model: \_\_\_\_\_
- Shaft model: \_\_\_\_\_
- Controller model: \_\_\_\_\_

### NOTES

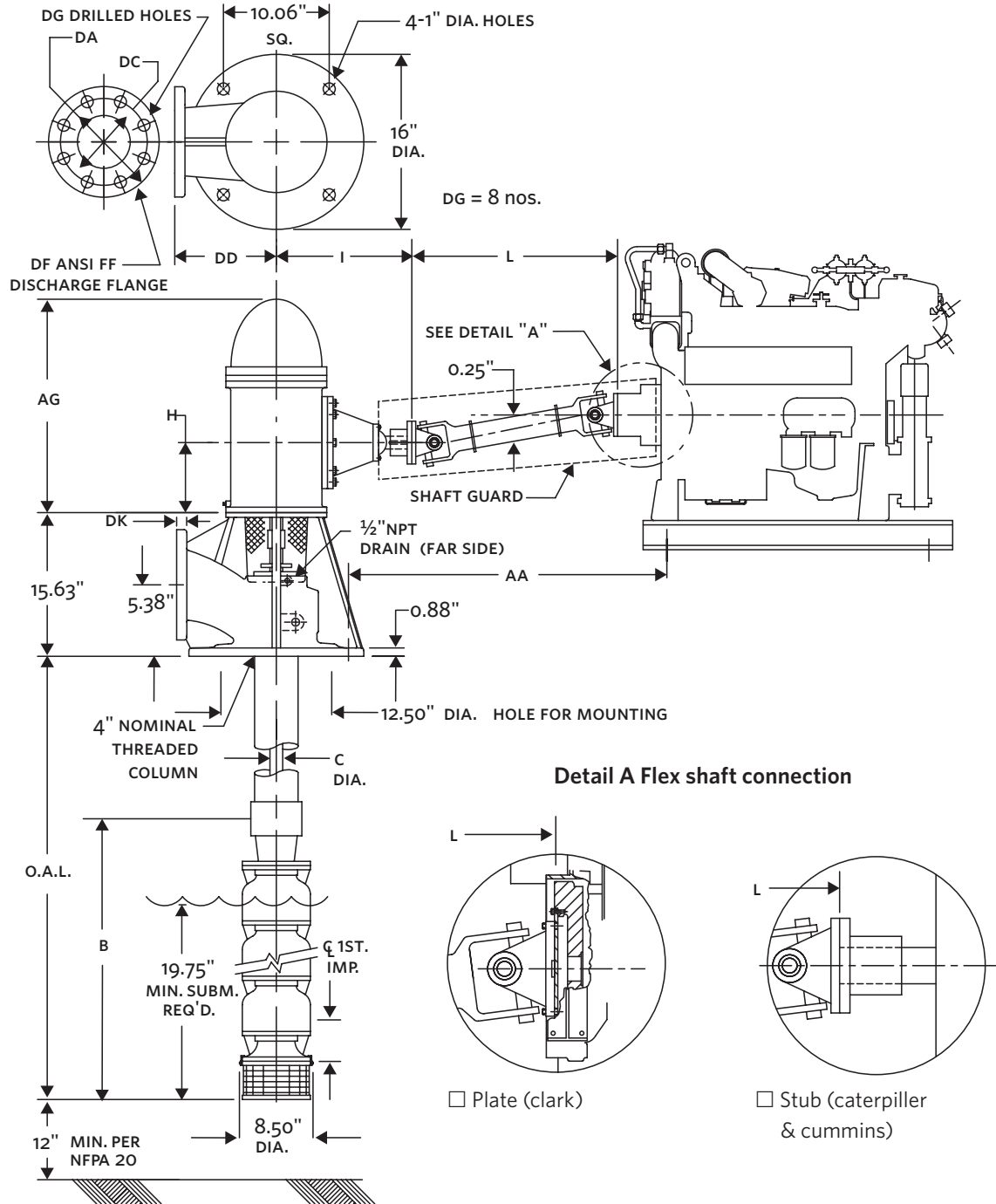
- Dimension based on randolph gear drive. May vary when driver adaptor is required.
- Dimensions are in inches unless otherwise indicated.
- Engine to base mounting and cooling loop to be field installed and plumbed.
- Engine oil & anti freeze/coolant may not be included.
- Gear shipped filled with oil. Check level before installation.
- Refer dwg. no. \_\_\_\_\_ for Engine dimensions.
- Not to be used for construction unless certified.

PRESS RATE	DISCHARGE FLANGE INCH (mm)					
	DA	DC	DD	DF	DG	DK
125 #	9.00 (228)	7.50 (190)	8.63 (219)	4.00 (102)	0.75 (19)	0.94 (24)
250#	10.00 (254)	7.88 (200)	8.94 (227)	4.00 (102)	8.88 (226)	1.25 (32)



NO OF STG'S	DISCHARGE SIZE	RATING	RAGD	AG*	B	C	H*	I*	L	AA
	INCH (mm)		HP	INCH (mm)						
5	4 (102)	125	40	22.25 (565)	53.05 (1348)	1.00 (25)	8.50 (216)	17.00 (432)	—	—
6	4 (102)	125	40	22.25 (565)	60.75 (1543)	1.00 (25)	8.50 (216)	17.00 (432)	—	—
7	4 (102)	125	40	22.25 (565)	68.00 (1727)	1.00 (25)	8.50 (216)	17.00 (432)	—	—
8	4 (102)	125	40	22.25 (565)	75.25 (1911)	1.00 (25)	8.50 (216)	17.00 (432)	—	—
9	4 (102)	125	40	22.25 (565)	82.50 (2096)	1.00 (25)	8.50 (216)	17.00 (432)	—	—
10	4 (102)	125	40	22.25 (565)	89.75 (2280)	1.00 (25)	8.50 (216)	17.00 (432)	—	—
11	4 (102)	125	40	22.25 (565)	97.00 (2464)	1.00 (25)	8.50 (216)	17.00 (432)	—	—
11	4 (102)	250	40	22.25 (565)	97.00 (2464)	1.00 (25)	8.50 (216)	17.00 (432)	—	—
12	4 (102)	250	40	22.25 (565)	104.25 (2648)	1.00 (25)	8.50 (216)	17.00 (432)	—	—
13	4 (102)	250	40-60	22.25 (565)	111.50 (2832)	1.00 (25)	8.50 (216)	17.00 (432)	—	—
14	4 (102)	250	60	22.25 (565)	118.75 (3016)	1.00 (25)	8.50 (216)	17.00 (432)	—	—

\* Dimension based on randolph gear drive. May vary when driver adaptor is required.



**TORONTO**  
+1 416 755 2291

**BUFFALO**  
+1 716 693 8813

**BIRMINGHAM**  
+44 (0) 8444 145 145

**MANCHESTER**  
+44 (0) 8444 145 145

**BANGALORE**  
+91 (0) 80 4906 3555

**SHANGHAI**  
+86 21 3756 6696