

VERTICAL IN-LINE FIRE PUMP 43PF | 4 x 3 x 9 NF | SUBMITTAL

File No: F43.103R
Date: MARCH 13, 2025
Supersedes: NEW
Date: NEW

Job: _____ Representative: _____
 _____ Order no.: _____ Date: _____
 Engineer: _____ Submitted by: _____ Date: _____
 Contractor: _____ Approved by: _____ Date: _____

PUMP DESIGN DATA

Flow: _____
 Head: _____

ENCLOSURE: _____

FIRE PUMP LISTING

- UL
- ULC
- FM

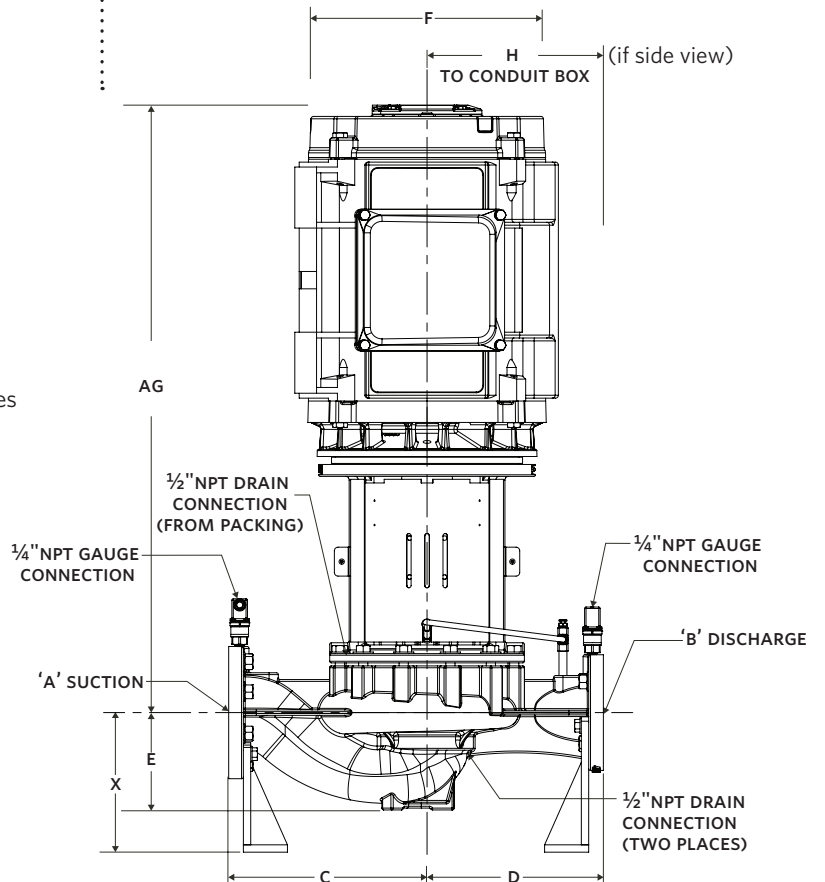
FLANGE RATING

- ANSI 125# STD
- ANSI 250# STD
- PN 16

- Dimensions are not to be used for construction purposes unless certified.
- Data subject to change without notice.

MOTOR DATA

HP: _____ RPM: _____
 Volt: _____ ph: _____ Hz: _____



SUBMITTAL
4×3×9 NF

Vertical In-line fire pump
Series 43PF

2

PUMP DATA

PUMP	DIMENSIONS inches (mm)						WEIGHT
MODEL	A	B	C	D	E	X	lbs (kgs)
43PF 4×3×9 NF	4.00 (102)	3.00 (76)	13.50 (343)	12.00 (305)	6.60 (168)	9.50 (241)	300 (136.1)

UL LISTED MOTOR DATA

MOTOR	DIMENSIONS inches (mm)				WEIGHT
FRAME	F MAX	AG MAX	H MAX	lbs (kgs)	
215TC	12.13 (308)	28.04 (712)	7.59 (193)	100 (45.40)	
254TC	13.38 (340)	34.04 (865)	9.94 (252)	160 (72.57)	
256TC	13.38 (340)	34.04 (865)	9.94 (252)	160 (72.57)	
284TSC	13.38 (340)	37.23 (946)	11.75 (298)	290 (131.54)	
286TSC	13.38 (340)	37.23 (946)	11.75 (298)	290 (131.54)	
324TSC	14.13 (359)	38.40 (975)	12.69 (322)	385 (174.60)	
326TSC	14.13 (359)	38.40 (975)	12.69 (322)	460 (208.65)	

TORONTO

+1 416 755 2291

BUFFALO

+1 716 693 8813

DROITWICH SPA

+44 8444 145 145

MANCHESTER

+44 8444 145 145

BANGALORE

+91 80 4906 3555

SHANGHAI

+86 21 5237 0909

BEIJING

+86 21 5237 0909

SÃO PAULO

+55 11 4785 1330

LYON

+33 4 20 10 26 21

DUBAI

+971 4 887 6775

JIMBOLIA

+40 256 360 030

FRANKFURT

+49 6173 999 77 55

ARMSTRONG FLUID TECHNOLOGY®
ESTABLISHED 1934

ARMSTRONGFLUIDTECHNOLOGY.COM