

VERTICAL IN-LINE FIRE PUMP 43PF | 4 x 3 x 9 PF | SUBMITTAL

File No: F43.103P
Date: MARCH 01, 2023
Supersedes: NEW
Date: NEW

Job: _____ Representative: _____
 _____ Order no.: _____ Date: _____
 Engineer: _____ Submitted by: _____ Date: _____
 Contractor: _____ Approved by: _____ Date: _____

PUMP DESIGN DATA

Flow: _____
 Head: _____

ENCLOSURE: _____

FIRE PUMP LISTING

- UL
- ULC
- FM

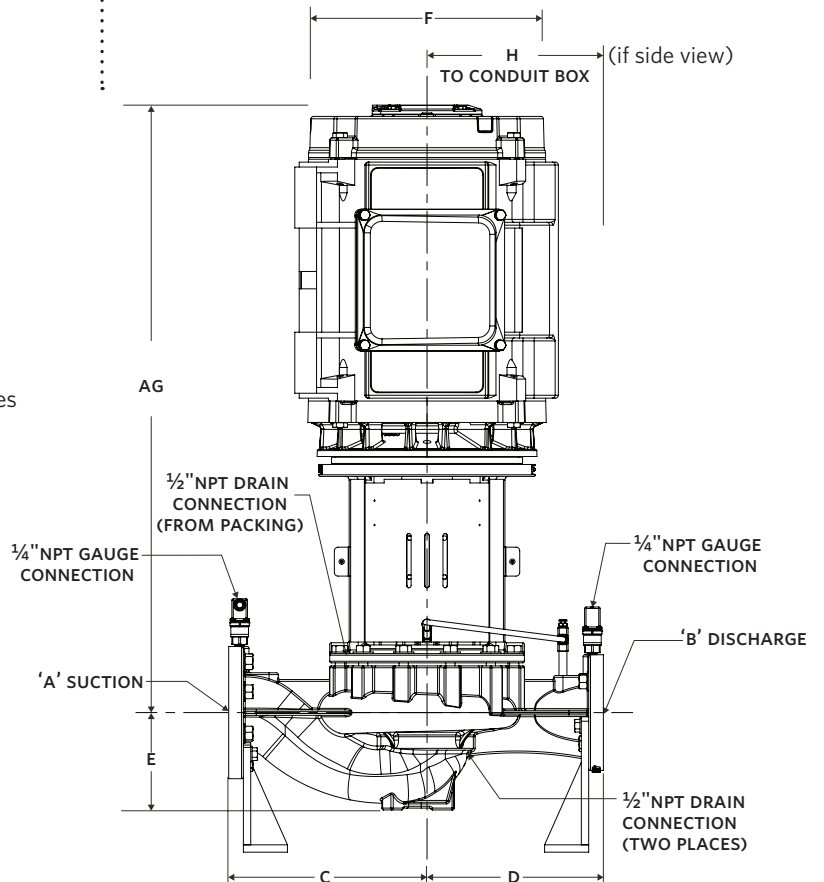
FLANGE RATING

- ANSI 125# STD
- ANSI 250# STD
- PN 16

- Dimensions are not to be used for construction purposes unless certified.
- Data subject to change without notice.

MOTOR DATA

HP: _____ RPM: _____
 Volt: _____ ph: _____ Hz: _____



SUBMITTAL
4×3×9 PF

Vertical In-line fire pump
Series 43PF

2

PUMP DATA

PUMP	DIMENSIONS inches (mm)					WEIGHT
MODEL	A	B	C	D	E	lbs (kgs)
43PF 4×3×9 PF	4.00 (102)	3.00 (76)	13.50 (343)	12.00 (305)	6.60 (168)	300 (136.1)

UL LISTED MOTOR DATA

MOTOR	DIMENSIONS inches (mm)			WEIGHT
FRAME	F MAX	AG MAX	H MAX	lbs (kgs)
254TC	13.38 (340)	34.04 (865)	9.94 (252)	160 (72.57)
256TC	13.38 (340)	34.04 (865)	9.94 (252)	160 (72.57)
284TSC	13.38 (340)	37.23 (946)	11.75 (298)	290 (131.54)
286TSC	13.38 (340)	37.23 (946)	11.75 (298)	290 (131.54)
324TSC	14.13 (359)	38.40 (975)	12.69 (322)	385 (174.60)
326TSC	14.13 (359)	38.40 (975)	12.69 (322)	460 (208.65)
364TSC	17.63 (448)	41.41 (1052)	16.19 (411)	651 (295.30)

TORONTO
+1 416 755 2291

BUFFALO
+1 716 693 8813

DROITWICH SPA
+44 121 550 5333

MANCHESTER
+44 161 223 2223

BANGALORE
+91 80 4906 3555

SHANGHAI
+86 21 5237 0909

BEIJING
+86 21 5237 0909

SÃO PAULO
+55 11 4785 1330

LYON
+33 4 26 83 78 74

DUBAI
+971 4 887 6775

JIMBOLIA
+40 256 360 030

ARMSTRONG FLUID TECHNOLOGY®
ESTABLISHED 1934

ARMSTRONGFLUIDTECHNOLOGY.COM