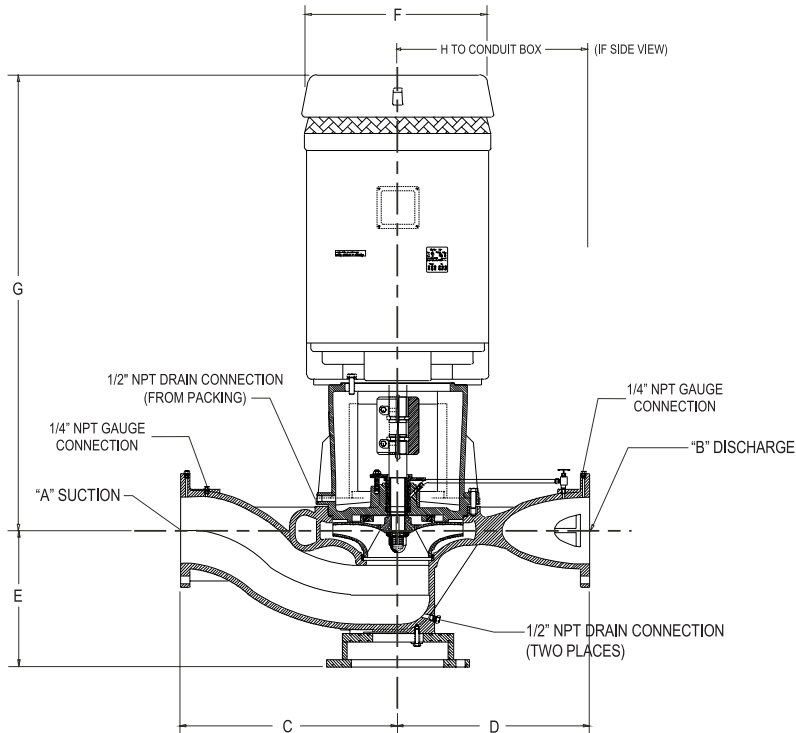


## VIL FIRE PUMP 50 HERTZ 43PF 8 x 8 x 15FM

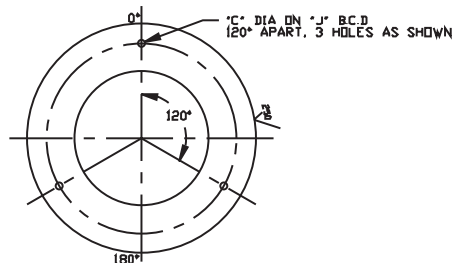
FILE NO.: F43.105d  
DATE: Sept. 7, 2006  
SUPERSEDES: F43.105d  
DATE: July 31, 2002

# SUBMITTAL

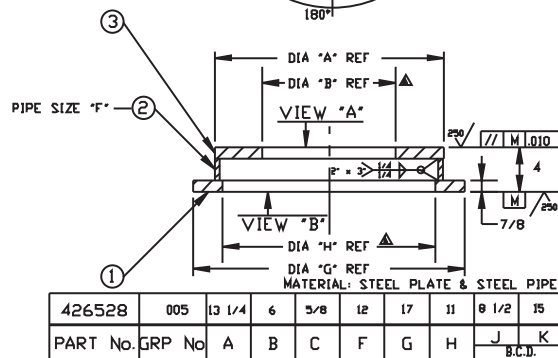


PUMP DATA						
PUMP MODEL	DIMENSIONS (inches)					WT. LBS.
	A	B	C	D	E	
43PF 8 x 8 x 15FM	8	8	25-7/8	22-7/8	16-11/32	918

<input type="checkbox"/> UL	<b>FLANGE RATING</b>
<input type="checkbox"/> ULC	<input type="checkbox"/> ANSI 125# STD
<input type="checkbox"/> FM	<input type="checkbox"/> ANSI 250# STD
	<input type="checkbox"/> PN 16



UL LISTED MOTOR DATA					
P-BASE FRAME	HP @ RPM	DIMENSIONS (ins.)			WT LBS
		F MAX	G MAX	H MAX	
364	50	18 1/4	37 7/8	15 3/16	860
365	60	18 1/4	37 7/8	15 3/16	860
404	75	18 1/4	37 7/8	16 3/4	1200



426528	005	13 1/4	6	5/8	12	17	11	8 1/2	15
PART No.	GRP No	A	B	C	F	G	H	J	K
								B.C.D.	



DIMENSIONS ARE NOT TO BE USED FOR CONSTRUCTION PURPOSES UNLESS CERTIFIED. DUE TO MOTOR MANUFACTURERS, DATA SUBJECT TO CHANGE WITHOUT NOTICE

<b>PROJECT:</b>		<b>DATE:</b>	
<b>ORDER No.:</b>	<b>DWG#:</b>	<b>DATE:</b>	02-07-31
<b>CERTIFIED BY:</b>	<b>8x8x15FM</b>	<b>REVISED:</b>	