

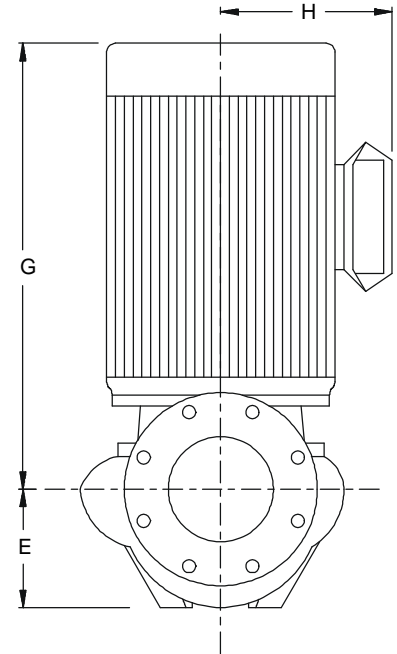
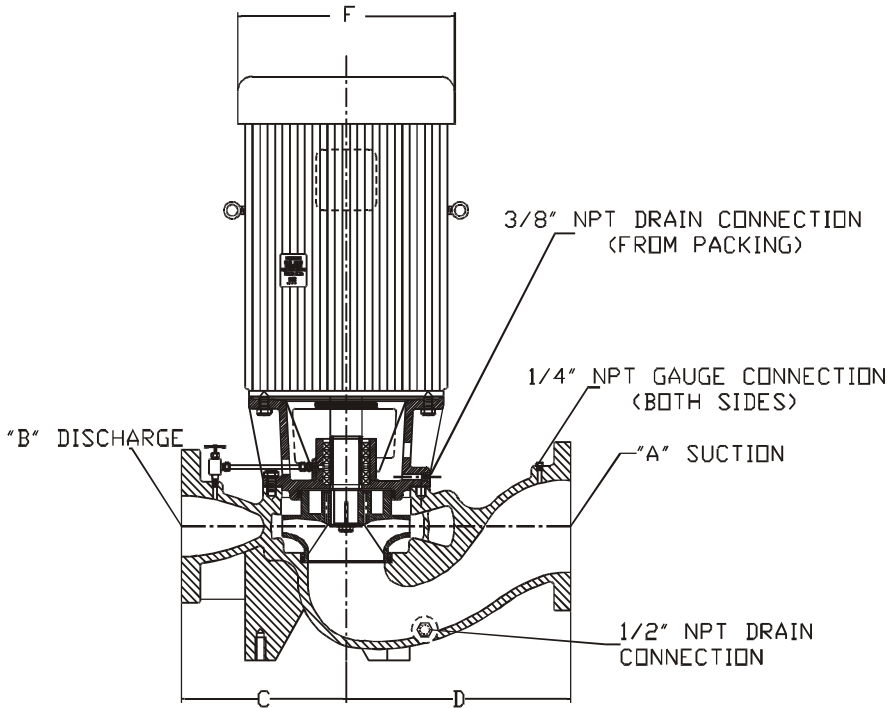
ARMSTRONG® VIL FIRE PUMP

50 HERTZ

6 x 4LA-F

FILE N°: F43.105c
 Date: March 10, 2001
 SUPERSEDES: NEW
 Date: NEW

SUBMITTAL



Base For FM Requirement
NOT SHOWN

RATED

FLANGE RATING

- ANSI 125# STD
- ANSI 125# SUCTION
250# DISCHARGE

PUMP DATA

PUMP MODEL	DIMENSIONS (ins.)					WT. LBS
	A	B	C	D	E	
6" X 4" LA-F	6	4	11	15	7.375	283

UL LISTED MOTOR DATA

MOTOR FRAME	HP @ 3000 RPM	DIMENSIONS (ins.)			WT LBS
		F MAX	G MAX	H MAX	
184JP	5	9 1/2	19 1/16	5 1/4	86
215JP	7.5	11	21 1/4	7	136
215JP	10	11	22 3/4	7 1/2	158
254JP	15	12 1/2	25 1/16	9 1/4	204
256JP	20	12 1/2	26 15/16	9 1/4	235
284JP	25	14	27 1/8	10 1/4	279
286JP	30	14	29 1/16	14 1/4	326
324JP	40	16	29 1/16	13	424

DIMENSIONS ARE NOT TO BE USED FOR CONSTRUCTION PURPOSES UNLESS CERTIFIED. DATA SUBJECT TO CHANGE WITHOUT NOTICE.

PROJECT:		DATE:	
ORDER No.:	DWG#:	DATE:	01-03-10
CERTIFIED BY:	A-1534-6x4	REVISED:	