

HORIZONTAL SPLIT CASE PUMP | SERIES 4600F | ELECTRIC DRIVEN | 12x8x18F/NF | SUBMITTAL

File No: F46.526
Date: DECEMBER 27, 2022
Supersedes: F46.526
Date: JULY 7, 2020

Job: _____ Representative: _____
 _____ Order no.: _____ Date: _____
 Engineer: _____ Submitted by: _____ Date: _____
 Contractor: _____ Approved by: _____ Date: _____

PUMP DESIGN DATA

Flow: _____
 Head: _____

ENCLOSURE: _____
 SPECIAL STARTING: _____

FLANGE RATING

- ANSI 125# STD¹
- ANSI 125# Suction
250# Discharge
- ANSI 250# Suction
250# Discharge
- PN 16

MOTOR DATA

HP: _____ RPM: _____
 Volt: _____ ph: _____ Hz: _____

FIRE PUMP LISTING

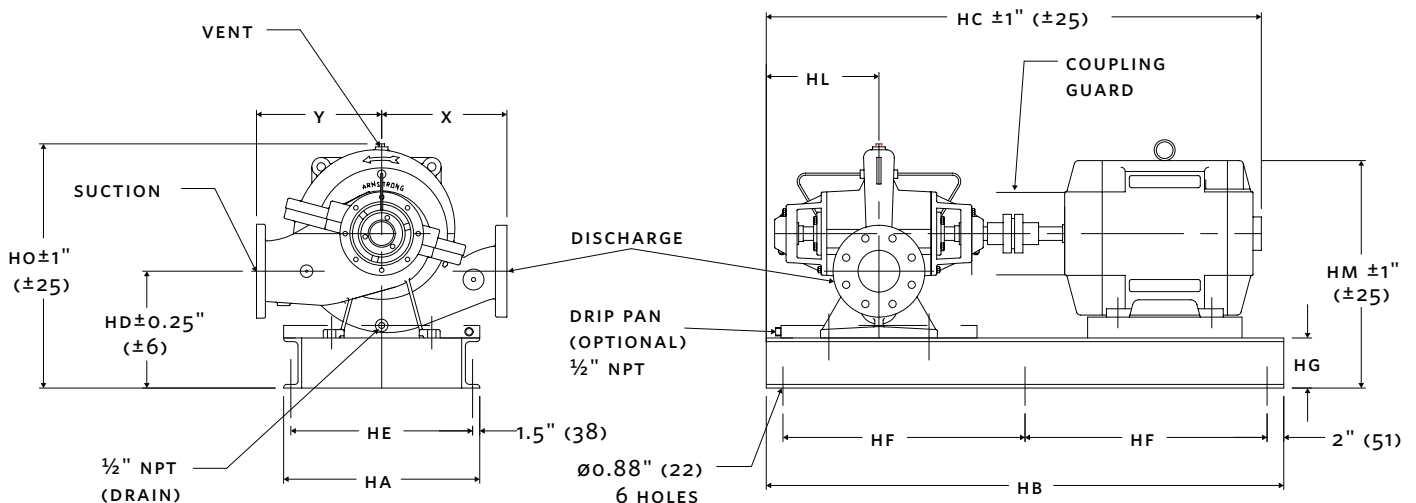
- UL
- ULC
- FM

To be indicated by customer

- Suction side (viewed from driver end)
- Right hand (shown) Left hand

NOTES

- 1 Std. Discharge flange thickness ANSI 250#.
- 2 Coupling guard not shown.
- 3 All dimensions for engine connections are with reference to engine manufacturer's installation drawings.
- 4 Do not use for construction unless certified.



MOTOR FRAME	DIMENSIONS inches (mm)												WEIGHT lbs (kg)
	HA	HB	HC	HD	HE	HF	HG	HL	HM	HO	X	Y	
404TS	32.00 (813)	100.00 (2540)	73.41 (1865)	17.50 (445)	29.00 (737)	48.00 (1219)	6.00 (152)	19.35 (491)	39.75 (1010)	45.00 (1143)	18.00 (457)	21.00 (533)	1700 (771.1)
405TS	32.00 (813)	100.00 (2540)	73.41 (1865)	17.50 (445)	29.00 (737)	48.00 (1219)	6.00 (152)	19.35 (491)	39.75 (1010)	45.00 (1143)	18.00 (457)	21.00 (533)	1750 (793.8)
444TS	32.00 (813)	100.00 (2540)	81.97 (2082)	17.50 (445)	29.00 (737)	48.00 (1219)	6.00 (152)	19.35 (491)	40.75 (1035)	45.00 (1143)	18.00 (457)	21.00 (533)	2072 (939.8)
445TS	32.00 (813)	100.00 (2540)	81.97 (2082)	17.50 (445)	29.00 (737)	48.00 (1219)	6.00 (152)	19.35 (491)	40.75 (1035)	45.00 (1143)	18.00 (457)	21.00 (533)	2172 (985.2)
447TS	32.00 (813)	100.00 (2540)	90.60 (2301)	17.50 (445)	29.00 (737)	48.00 (1219)	6.00 (152)	19.35 (491)	40.75 (1035)	45.00 (1143)	18.00 (457)	21.00 (533)	2635 (1195.2)
449TS	32.00 (813)	100.00 (2540)	90.60 (2301)	17.50 (445)	29.00 (737)	48.00 (1219)	6.00 (152)	19.35 (491)	40.75 (1035)	45.00 (1143)	18.00 (457)	21.00 (533)	2945 (1335.8)

TORONTO

+1 416 755 2291

BUFFALO

+1 716 693 8813

DROITWICH SPA

+44 121 550 5333

MANCHESTER

+44 161 223 2223

BANGALORE

+91 80 4906 3555

SHANGHAI

+86 21 5237 0909

BEIJING

+86 21 5237 0909

SÃO PAULO

+55 11 4785 1330

LYON

+33 4 26 83 78 74

DUBAI

+971 4 887 6775

JIMBOLIA

+40 256 360 030