

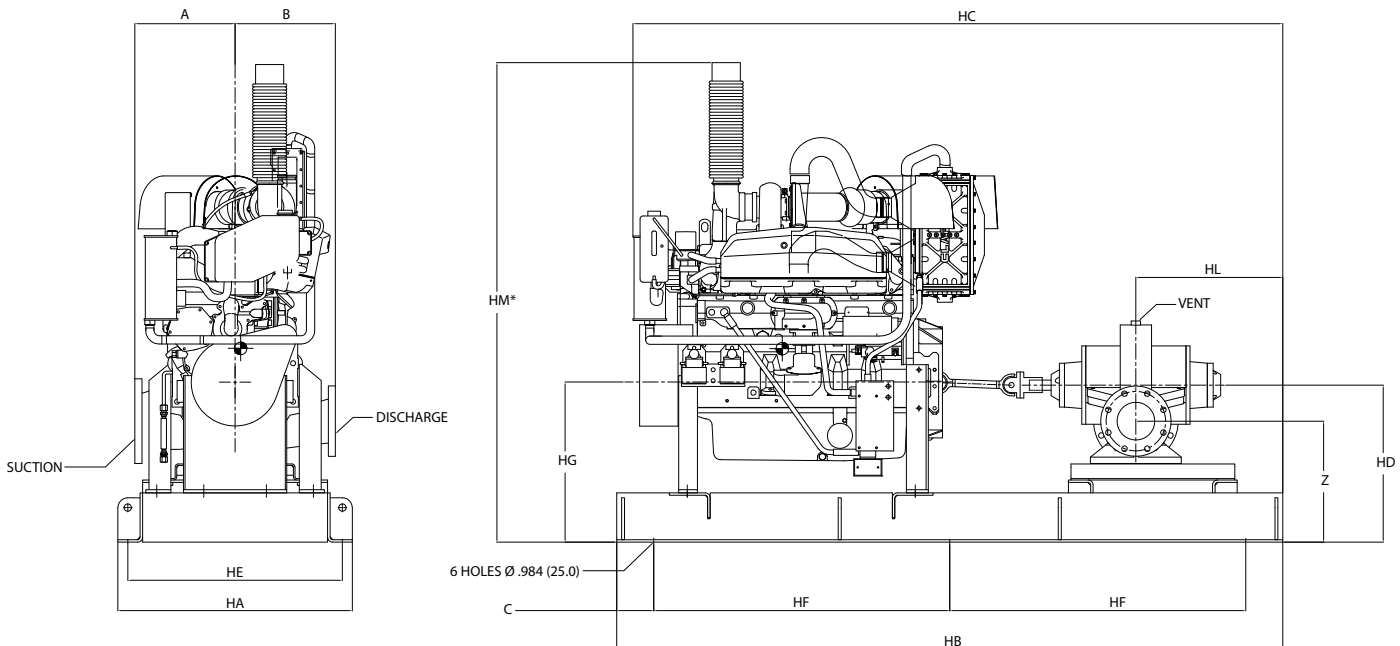
Series 4600F HSC Pump Diesel Driven

5 x 4 x 12F

SUBMITTAL

JOB: _____	REPRESENTATIVE: _____
ENGINEER: _____	ORDER NO: _____ DATE: _____
CONTRACTOR: _____	SUBMITTED BY: _____ DATE: _____
	APPROVED BY: _____ DATE: _____

TAG/REF:								
PUMP DATA	FLOW	HEAD	ENGINE DATA	HP	RPM	BAT. VOLTAGE	TANK SIZE	OTHER



8x8x15F - CDS30 - S1
 HSC Diesel Fire Pump - JW6H Engine

Engine Model	DIMENSIONS (in.)												WEIGHT lbs.	
	A	B	C	HA	HB	HC	HD	HE	HF	HG	HL	HM		Z
JW6H(CDS30-S1)	13.00(330)	13.00(330)	5.90(150)	37.40(950)	106.30(2700)	103.70(2634)	25.10(636)	34.30(870)	47.20(1200)	25.60(649)	24.40(621)	76.50(1944)	20.60(522)	3180
JU6H(CDS20,30-S1)	13.00(330)	13.00(330)	9.06(230)	35.83(910)	106.30(2700)	98.60(2505)	21.40(543)	32.68(830)	44.09(1120)	21.89(556)	21.65(550)	67.70(1718)	16.90(429)	2726
JU4H(CDS30-S1)	13.00(330)	13.00(330)	4.70(120)	13.00(330)	90.60(2300)	86.30(2192)	21.40(543)	13.00(330)	40.60(1030)	21.90(556)	16.00(407)	66.90(1699)	16.90(429)	1909

Note:

1. Std. Discharge flange thickness ANSI 250#
2. Coupling guard not shown
3. All dimensions for engine connections are with reference to Engine manufacturer's installation drawings
4. To be shipped loose with package

ACCESSORIES

- EXHAUST SYSTEM (4)
- FUEL SYSTEM (4)
- COOLING SYSTEM (MOUNTED ON ENGINE)
- BATTERY SYSTEM (4)

FLANG RATING

- ANSI 125# STD (1)
- ANSI 125# SUCTION
- 250# DISCHARGE
- ANSI 250# SUCTION
- 250# DISCHARGE
- PN 16

FIRE PUMP LISTING

- UL
- FM

**RIGHT HAND ROTATION ONLY
 (AS SHOWN)**

S. A. Armstrong Limited
 23 Bertrand Avenue
 Toronto, Ontario
 Canada, M1L 2P3
 T: 416 755 2291
 F: 416 759 9101

Armstrong Integrated Limited
 Wenlock Way
 Manchester
 United Kingdom, M12 5JL
 T: +44 (0) 8444 145 145
 F: +44 (0) 8444 145 146

Armstrong Design Private Ltd.
 (Unit 1- Armstrong Manufacturing Center)
 490-L, 4th Phase, Peenya Industrial Area,
 Bangalore, India 560 058
 T: +91 (80) 4906 3555
 F: +91 (80) 2334 3535