

HORIZONTAL SPLIT CASE PUMP | SERIES 4600F | ELECTRIC DRIVEN | 14x10x20F | SUBMITTAL

File No: F46.5281
Date: FEBRUARY 16, 2022
Supersedes: NEW
Date: NEW

Job: _____ Representative: _____

Order no.: _____ Date: _____

Engineer: _____ Submitted by: _____ Date: _____

Contractor: _____ Approved by: _____ Date: _____

PUMP DESIGN DATA

Flow: _____

Head: _____

ENCLOSURE: _____

SPECIAL STARTING: _____

FLANGE RATING

- ANSI 125# STD¹
- ANSI 125# Suction
250# Discharge
- ANSI 250# Suction
250# Discharge
- PN 16

MOTOR DATA

HP: _____ RPM: _____

Volt: _____ ph: _____ Hz: _____

FIRE PUMP LISTING

- UL
- ULC
- FM

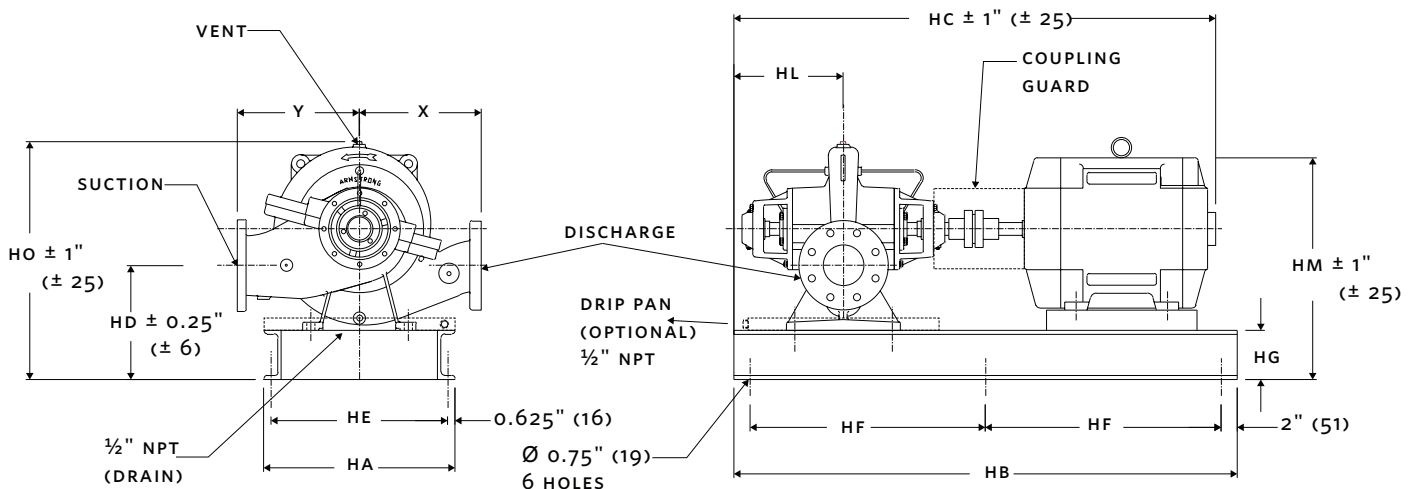
To be indicated by customer

Suction side (viewed from driver end)

- Right hand (shown) Left hand

NOTES

- 1 Std. Discharge flange thickness ANSI 250#.
- 2 Coupling guard not shown.
- 3 All dimensions for engine connections are with reference to engine manufacturer's installation drawings.
- 4 Do not use for construction unless certified.



MOTOR FRAME	DIMENSIONS inches (mm)												WEIGHT lbs (kg)
	HA	HB	HC	HD	HE	HF	HG	HL	HM	HO	X	Y	
445TS	37.40 (950)	98.43 (2500)	96.18 (2443)	20.13 (511)	34.45 (875)	45.28 (1150)	7.87 (200)	22.83 (580)	44.69 (1135)	49.07 (1246)	20.01 (508)	21.50 (546)	4364 (1979)
447TS	37.40 (950)	106.30 (2700)	99.90 (2537)	20.13 (511)	34.45 (875)	49.21 (1250)	7.87 (200)	22.83 (580)	45.00 (1143)	49.07 (1246)	20.01 (508)	21.50 (546)	4664 (2116)
449TS	37.40 (950)	110.24 (2800)	106.11 (2695)	20.13 (511)	34.45 (875)	51.18 (1300)	7.87 (200)	22.83 (580)	46.43 (1179)	49.07 (1246)	21.50 (546)	21.50 (546)	4864 (2206)
5010S	37.40 (950)	110.24 (2800)	113.55 (2884)	20.13 (511)	34.45 (875)	51.18 (1300)	7.87 (200)	22.83 (580)	51.93 (1319)	49.07 (1246)	20.01 (508)	21.50 (546)	7364 (3340)

TORONTO
+1 416 755 2291

BUFFALO
+1 716 693 8813

DROITWICH SPA
+44 8444 145 145

MANCHESTER
+44 8444 145 145

BANGALORE
+91 80 4906 3555

SHANGHAI
+86 21 5237 0909

SÃO PAULO
+55 11 4785 1330

LYON
+33 4 26 83 78 74

DUBAI
+971 4 887 6775

MANNHEIM
+49 621 3999 9858

JIMBOLIA
+40 256 360 030