

**SERIES 4600F**  
**HORIZONTAL SPLIT CASE PUMP**  
**SUBMITTAL**

**File No:** F46.49IN  
**Date:** JULY 02, 2012  
**Supersedes:** NEW  
**Date:** NEW

Job: \_\_\_\_\_ Representative: \_\_\_\_\_  
 \_\_\_\_\_ Ordered by: \_\_\_\_\_ Date: \_\_\_\_\_  
 Engineer: \_\_\_\_\_ Submitted by: \_\_\_\_\_ Date: \_\_\_\_\_  
 Contractor: \_\_\_\_\_ Approved by: \_\_\_\_\_ Date: \_\_\_\_\_

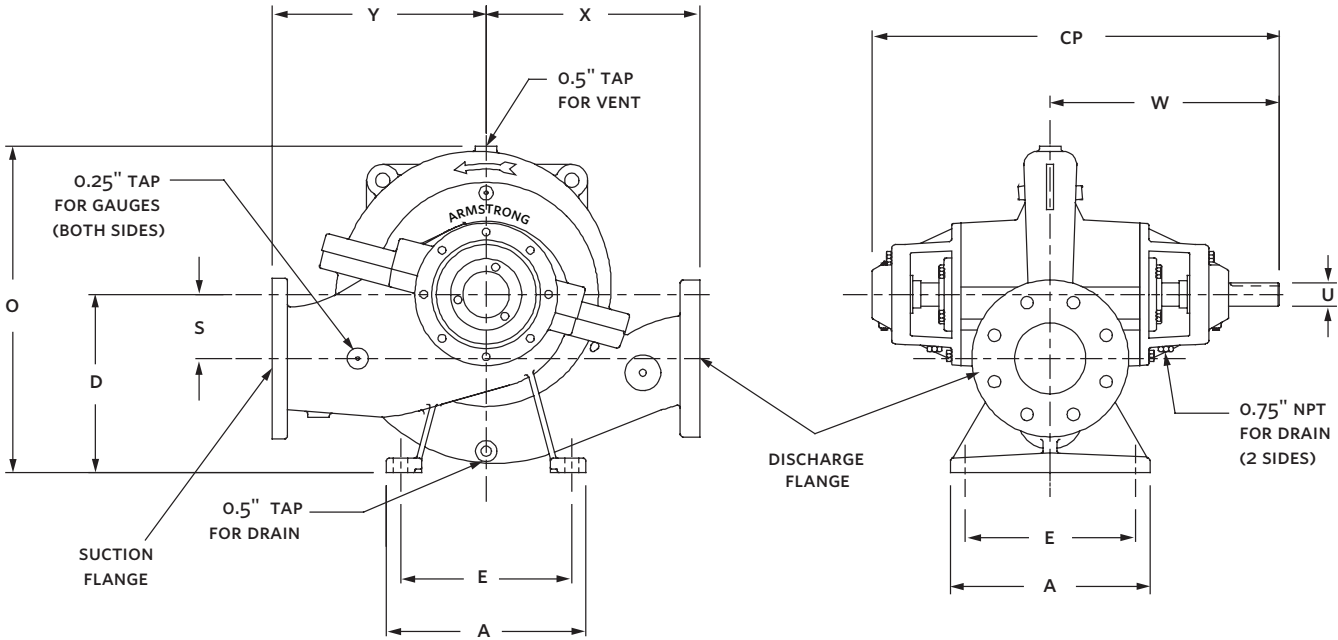
**FLANGE RATING**

- ANSI 125# STD\*
- ANSI 125# suction 250# discharge
- ANSI 250#
- PN 16

\* Standard discharge flange thickness ANSI 250#

**FIRE PUMP LISTING**

- UL
- FM



**To be indicated by customer**  
 Suction side (viewed from driver end)

- Right hand (shown)
- Left hand

PUMP	FLANGE		DIMENSIONS mm (INCHES)										WEIGHT
	SUC-TION	DIS-CHARGE	A	CP	D	E	O	S	U	W	X	Y	kg (lbs)
5×4×10	5	4	356 (14.00)	724 (28.50)	279 (11.00)	305 (12.00)	462 (18.19)	114 (4.50)	41 (1.63)	406 (16.00)	305 (12.00)	305 (12.00)	181.4 (400)
5×4×12	5	4	356 (14.00)	724 (28.50)	279 (11.00)	305 (12.00)	483 (19.00)	114 (4.50)	41 (1.63)	406 (16.00)	330 (13.00)	330 (13.00)	190.5 (420)
6×5×9.5	6	5	356 (14.00)	724 (28.50)	279 (11.00)	305 (12.00)	476 (18.75)	114 (4.50)	41 (1.63)	406 (16.00)	305 (12.00)	305 (12.00)	192.8 (425)
6×5×10	6	5	356 (14.00)	724 (28.50)	279 (11.00)	305 (12.00)	476 (18.75)	114 (4.50)	41 (1.63)	406 (16.00)	305 (12.00)	305 (12.00)	192.8 (425)
6×5×12	6	5	356 (14.00)	724 (28.50)	279 (11.00)	305 (12.00)	492 (19.38)	114 (4.50)	41 (1.63)	406 (16.00)	381 (15.00)	381 (15.00)	215.5 (475)
6×5×15	6	5	356 (14.00)	724 (28.50)	318 (12.50)	305 (12.00)	584 (23.00)	114 (4.50)	41 (1.63)	406 (16.00)	381 (15.00)	381 (15.00)	238.1 (525)
8×6×10	8	6	356 (14.00)	775 (30.50)	279 (11.00)	305 (12.00)	481 (18.94)	114 (4.50)	41 (1.63)	432 (17.00)	356 (14.00)	356 (14.00)	244.9 (540)
8×6×12.5	8	6	356 (14.00)	775 (30.50)	318 (12.50)	305 (12.00)	545 (21.44)	146 (5.75)	41 (1.63)	432 (17.00)	381 (15.00)	381 (15.00)	272.2 (600)
8×6×15	8	6	356 (14.00)	775 (30.50)	318 (12.50)	305 (12.00)	578 (22.75)	146 (5.75)	41 (1.63)	432 (17.00)	406 (16.00)	406 (16.00)	301.6 (665)
8×6×16	8	6	356 (14.00)	775 (30.50)	318 (12.50)	305 (12.00)	590 (23.23)	146 (5.75)	41 (1.63)	432 (17.00)	406 (16.00)	406 (16.00)	301.6 (665)
10×8×11	10	8	356 (14.00)	775 (30.50)	318 (12.50)	305 (12.00)	532 (20.94)	114 (4.50)	41 (1.63)	432 (17.00)	406 (16.00)	406 (16.00)	317.5 (700)
10×8×14	10	8	356 (14.00)	775 (30.50)	368 (14.50)	305 (12.00)	616 (24.25)	146 (5.75)	41 (1.63)	432 (17.00)	406 (16.00)	406 (16.00)	310.7 (685)
12×8×18	12	8	660 (26.00)	1025 (40.34)	591 (23.25)	584 (23.00)	965 (38.00)	324 (12.75)	54 (2.13)	559 (22.00)	457 (18.00)	533 (21.00)	942.1 (2077)

**NOTE**

- All dimensions are in mm (inches).
- Do not use for construction unless certified.

**TORONTO**

+416 755 2291

**BUFFALO**

+716 693 8813

**BIRMINGHAM**

+44 (0) 8444 145 145

**MANCHESTER**

+44 (0) 8444 145 145

**BANGALORE**

+91 (0) 80 4906 3555

**SHANGHAI**

+86 21 3756 6696