

**END SUCTION PUMP | SERIES 40PF |
DIESEL DRIVEN | 4x3x8.5FM | SUBMITTAL**

File No: F40.500
Date: JANUARY 22, 2021
Supersedes: F40.52
Date: AUGUST 10, 2016

Job: _____ Representative: _____

Order no.: _____ Date: _____

Engineer: _____ Submitted by: _____ Date: _____

Contractor: _____ Approved by: _____ Date: _____

PUMP DESIGN DATA

Flow: _____

Head: _____

ENGINE DESIGN DATA

HP: _____ RPM: _____

Bat. Voltage: _____ Tank size: _____

Other: _____

NOTES

- 1 Std. Discharge flange thickness ansi 250#.
- 2 Coupling guard not shown.
- 3 All dimensions for engine connections are with reference to engine manufacturer's installation drawings.
- 4 Do not use for construction unless certified.

FLANGE RATING

- ANSI 125# STD¹
- ANSI 250# Suction
250# Discharge
- PN 16

FIRE PUMP LISTING

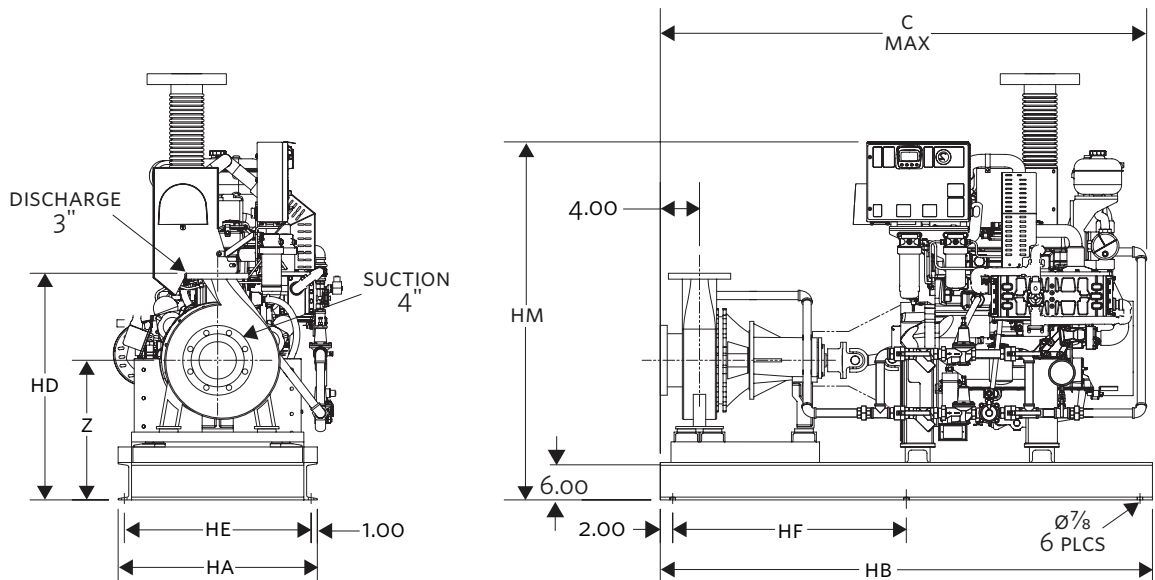
- UL
- ULC
- FM

ACCESSORIES

- Exhaust system
- Fuel system
- Cooling system (mounted on engine)
- Battery system

DIMENSIONS

4×3×8.5 FM	END SUCTION PUMP DIESEL DRIVEN	DIMENSIONS inches (mm)								WEIGHT
		C	HA	HB	HD	HE	HF	HM	Z	lbs (kg)
Clarke	JU4H series	78.52 (1994)	32.00 (813)	78.00 (1981)	34.75 (883)	30.00 (762)	37.00 (940)	56.92 (1446)	22.25 (565)	1806 (819.2)
Cummins	CFP5E series	68.63 (1743)	32.00 (813)	78.00 (1981)	33.88 (861)	30.00 (762)	37.00 (940)	40.16 (1020)	21.38 (543)	1612 (731.1)



TORONTO
+1 416 755 2291

BUFFALO
+1 716 693 8813

BIRMINGHAM
+44 8444 145 145

MANCHESTER
+44 8444 145 145

BANGALORE
+91 80 4906 3555

SHANGHAI
+86 21 5237 0909

SÃO PAULO
+55 11 4785 1330

LYON
+33 4 26 83 78 74

DUBAI
+971 4 887 6775

MANNHEIM
+49 621 3999 9858