

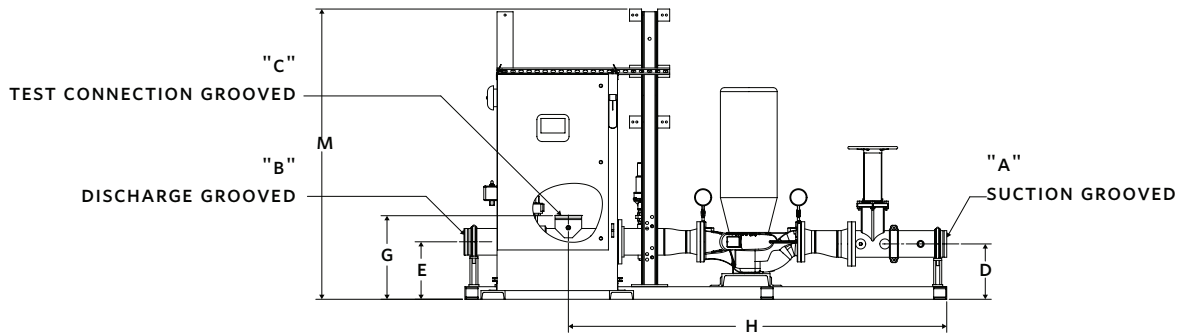
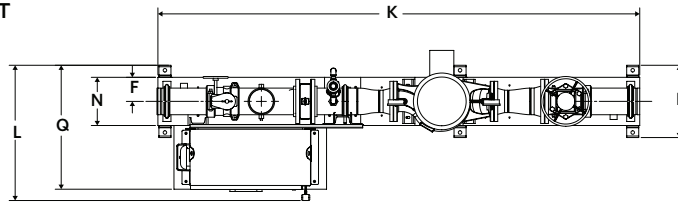
## VERTICAL IN-LINE FIREPAK | STANDARD | SUBMITTAL

File No: F43.1051  
Date: SEPTEMBER 23, 2021  
Supersedes: F43.1051  
Date: APRIL 10, 2019

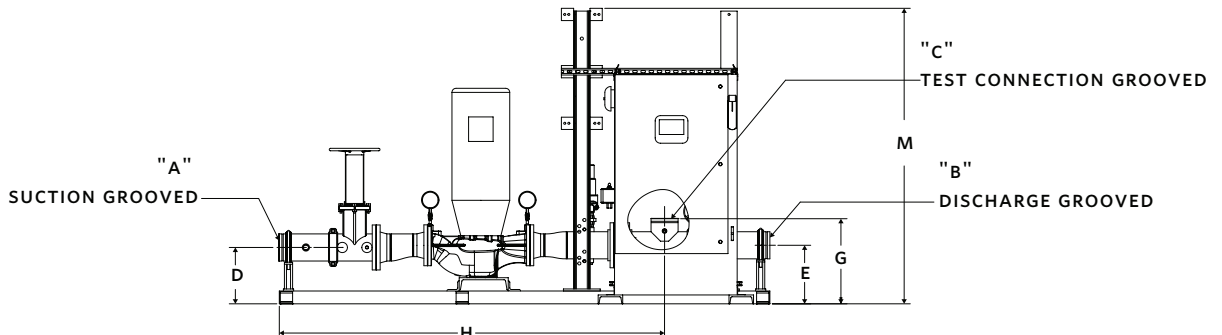
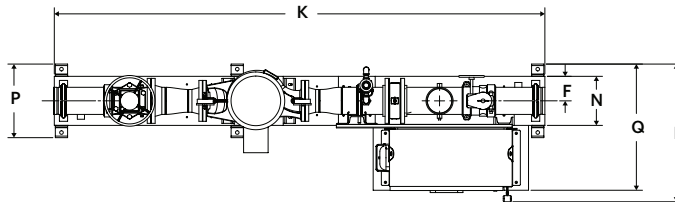
Job: \_\_\_\_\_ Representative: \_\_\_\_\_  
 \_\_\_\_\_ Order no.: \_\_\_\_\_ Date: \_\_\_\_\_  
 Engineer: \_\_\_\_\_ Submitted by: \_\_\_\_\_ Date: \_\_\_\_\_  
 Contractor: \_\_\_\_\_ Approved by: \_\_\_\_\_ Date: \_\_\_\_\_

| TAG/REF:  |      |      |            |    |     |      |    |    |           |
|-----------|------|------|------------|----|-----|------|----|----|-----------|
| PUMP DATA | FLOW | HEAD | MOTOR DATA | HP | RPM | VOLT | PH | HZ | ENCLOSURE |
|           |      |      |            |    |     |      |    |    |           |

SUCTION ON RIGHT



SUCTION ON LEFT



Vertical In-line FirePak  
Standard

SUBMITTAL

2

PUMP DATA

| FLOW (GPM) | PUMP MODEL | DIMENSIONS (INCHES)  |     |     |       |       |      |       |                         |            |           |                |       |       |         | MAX SHIPPING WEIGHT*(LBS) |
|------------|------------|----------------------|-----|-----|-------|-------|------|-------|-------------------------|------------|-----------|----------------|-------|-------|---------|---------------------------|
|            |            | CONNECTION (GROOVED) |     |     |       |       |      |       | OVERALL DIMENSION (MAX) |            |           | BASE DIMENSION |       |       |         |                           |
|            |            | A                    | B   | C   | D     | E     | F    | G     | H                       | K (length) | L (width) | M (height)     | N     | P     | Q (MAX) |                           |
| 50         | 2x1.5 LA-F | 2.5                  | 2.5 | 2.5 | 10.62 | 10.62 | 6.00 | 13.87 | 94.23                   | 120.00     | 36.00     | 61.00          | 12.00 | 18.00 | 28.88   | 1093.00                   |
|            | 2x2x8 FM   | 2.5                  | 2.5 | 2.5 | 11.47 | 11.47 | 6.00 | 14.72 | 94.23                   | 120.00     | 36.00     | 61.00          | 12.00 | 18.00 | 30.88   | 1093.00                   |
| 75         | 2x1.5 LA-F | 2.5                  | 2.5 | 2.5 | 10.37 | 10.62 | 6.00 | 14.37 | 94.23                   | 120.00     | 36.00     | 61.00          | 12.00 | 18.00 | 28.88   | 1133.00                   |
|            | 2x2x8 FM   | 2.5                  | 2.5 | 2.5 | 11.22 | 11.47 | 6.00 | 15.22 | 94.23                   | 120.00     | 36.00     | 61.00          | 12.00 | 18.00 | 30.88   | 1133.00                   |
| 100        | 2x1.5 LA-F | 2.5                  | 2.5 | 2.5 | 10.37 | 10.62 | 6.00 | 14.37 | 94.23                   | 120.00     | 36.00     | 61.00          | 12.00 | 18.00 | 28.88   | 1133.00                   |
|            | 2x2x8 FM   | 2.5                  | 2.5 | 2.5 | 11.22 | 11.47 | 6.00 | 15.22 | 94.23                   | 120.00     | 36.00     | 61.00          | 12.00 | 18.00 | 30.88   | 1133.00                   |
| 150        | 2x2x8 FM   | 3                    | 3   | 3   | 10.91 | 11.47 | 6.00 | 15.72 | 94.23                   | 120.00     | 36.00     | 61.00          | 12.00 | 18.00 | 30.88   | 1153.00                   |
| 200        | 3x3x8 FM   | 3                    | 3   | 3   | 12.69 | 12.69 | 6.00 | 16.94 | 94.23                   | 120.00     | 36.00     | 61.00          | 12.00 | 18.00 | 30.88   | 1153.00                   |
| 250        | 3x3x8 FM   | 4                    | 4   | 4   | 12.19 | 12.69 | 6.00 | 17.69 | 94.23                   | 120.00     | 41.00     | 72.50          | 12.00 | 18.00 | 30.88   | 1318.00                   |
|            | 3x3x8 FM   | 4                    | 4   | 4   | 12.19 | 12.69 | 6.00 | 17.69 | 94.23                   | 120.00     | 41.00     | 72.50          | 12.00 | 18.00 | 30.88   | 1353.00                   |
| 300        | 4x3x9 PF   | 4                    | 4   | 4   | 13.00 | 13.00 | 6.00 | 18.50 | 94.23                   | 120.00     | 41.00     | 76.31          | 12.00 | 18.00 | 34.88   | 1425.00                   |
|            | 4x3x9 PF   | 4                    | 4   | 4   | 13.00 | 13.00 | 6.00 | 18.50 | 94.23                   | 120.00     | 41.00     | 76.31          | 12.00 | 18.00 | 34.88   | 1425.00                   |
| 400        | 5x5x8 FM   | 4                    | 4   | 4   | 14.84 | 14.31 | 6.00 | 19.31 | 94.23                   | 120.00     | 41.00     | 72.50          | 12.00 | 18.00 | 30.88   | 1398.00                   |
|            | 6x4 LA-F   | 4                    | 4   | 4   | 14.81 | 13.75 | 6.00 | 18.75 | 94.23                   | 120.00     | 41.00     | 72.50          | 12.00 | 18.00 | 30.88   | 1343.00                   |
| 450        | 4x3x9 PF   | 6                    | 6   | 6   | 11.94 | 13.00 | 6.00 | 19.50 | 91.72                   | 120.00     | 41.00     | 76.31          | 12.00 | 18.00 | 34.88   | 1440.00                   |
|            | 5x5x8 FM   | 6                    | 6   | 4   | 13.78 | 14.31 | 6.00 | 20.81 | 94.23                   | 120.00     | 41.00     | 72.50          | 12.00 | 18.00 | 30.88   | 1423.00                   |
| 500        | 6x4 LA-F   | 6                    | 6   | 4   | 13.75 | 13.75 | 6.00 | 20.25 | 94.23                   | 120.00     | 41.00     | 72.50          | 12.00 | 18.00 | 34.88   | 1368.00                   |
|            | 4x3x9 PF   | 6                    | 6   | 6   | 11.94 | 13.00 | 6.00 | 19.50 | 91.72                   | 120.00     | 41.00     | 76.31          | 12.00 | 18.00 | 34.88   | 1500.00                   |
| 750        | 5x5x8 FM   | 6                    | 6   | 6   | 13.78 | 14.31 | 6.00 | 20.81 | 94.23                   | 120.00     | 41.00     | 72.50          | 12.00 | 18.00 | 30.88   | 1518.00                   |
|            | 6x4 LA-F   | 6                    | 6   | 6   | 13.75 | 13.75 | 6.00 | 20.25 | 94.23                   | 120.00     | 41.00     | 72.50          | 12.00 | 18.00 | 34.88   | 1428.00                   |
| 1,000      | 6x4 LB-F   | 6                    | 6   | 6   | 15.13 | 15.13 | 6.00 | 21.63 | 94.23                   | 120.00     | 41.00     | 72.50          | 12.00 | 18.00 | 34.88   | 1428.00                   |
|            | 6x5 LY-F   | 6                    | 6   | 6   | 16.63 | 16.63 | 6.00 | 23.13 | 94.23                   | 120.00     | 41.00     | 72.50          | 12.00 | 18.00 | 30.88   | 1513.00                   |
| 1,250      | 8x8x13 FM  | 8                    | 8   | 6   | 17.19 | 17.19 | 6.00 | 24.94 | 123.33                  | 156.00     | 46.00     | 84.00          | 15.00 | 21.00 | 37.88   | 2333.00                   |
|            | 8x8x15 FM  | 8                    | 8   | 6   | 19.59 | 19.59 | 6.00 | 27.34 | 123.33                  | 156.00     | 46.00     | 84.00          | 15.00 | 21.00 | 37.88   | 2333.00                   |
| 1,500      | 8x8x16 FM  | 8                    | 8   | 6   | 19.59 | 19.59 | 6.00 | 27.34 | 123.33                  | 156.00     | 46.00     | 84.00          | 15.00 | 21.00 | 37.88   | 2333.00                   |
|            | 8x8x15 FM  | 8                    | 8   | 8   | 19.59 | 19.59 | 6.00 | 27.34 | 123.33                  | 156.00     | 46.00     | 84.00          | 15.00 | 21.00 | 37.88   | 2333.00                   |
| 1,500      | 8x8x15 FM  | 8                    | 8   | 8   | 19.59 | 19.59 | 6.00 | 27.34 | 123.33                  | 156.00     | 46.00     | 84.00          | 15.00 | 21.00 | 37.88   | 2333.00                   |
|            | 8x8x16 FM  | 8                    | 8   | 8   | 19.59 | 19.59 | 6.00 | 27.34 | 123.33                  | 156.00     | 46.00     | 84.00          | 15.00 | 21.00 | 37.88   | 2333.00                   |

TORONTO

+1 416 755 2291

BUFFALO

+1 716 693 8813

DROITWICH SPA

+44 8444 145 145

MANCHESTER

+44 8444 145 145

BANGALORE

+91 80 4906 3555

SHANGHAI

+86 21 5237 0909

SÃO PAULO

+55 11 4785 1330

LYON

+33 4 26 83 78 74

DUBAI

+971 4 887 6775

MANNHEIM

+49 621 3999 9858

JIMBOLIA

+40 256 360 030

NOTE:

\* Max Shipping Weight does not include Fire Pump, Jockey Pump, or Controller weights