

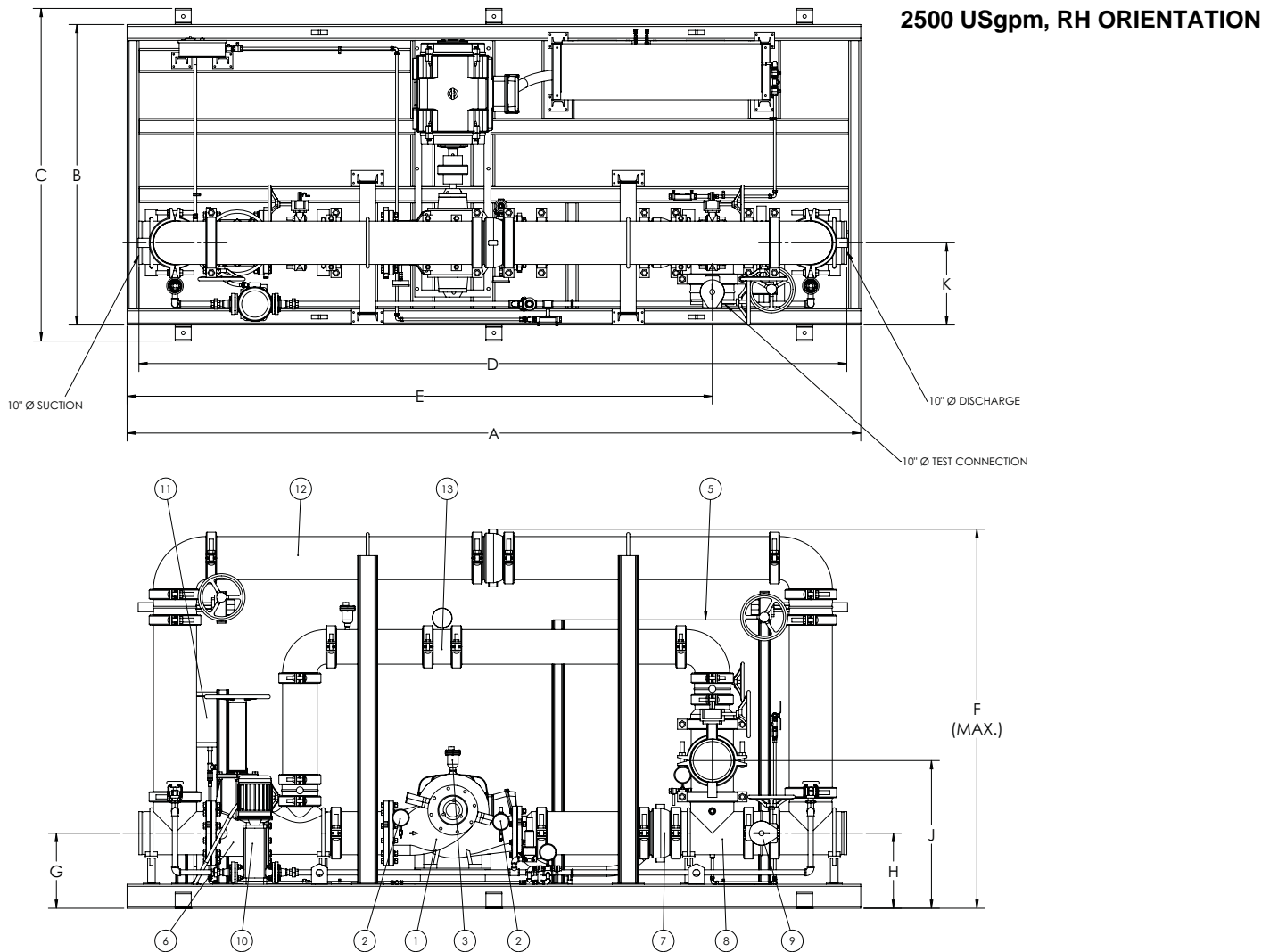
Series 4600 Horizontal Split Case

SUBMITTAL

JOB: _____	REPRESENTATIVE: _____
ENGINEER: _____	ORDER NO: _____ DATE: _____
CONTRACTOR: _____	SUBMITTED BY: _____ DATE: _____
	APPROVED BY: _____ DATE: _____

TAG/REF:

PUMP DATA	FLOW	HEAD	MOTOR DATA	HP	RPM	VOLT	PH	Hz	ENCLOSURE



PUMP MODEL	HP	MAX. DIMENSIONS Inches (mm)										MAX. WEIGHT lbs (kg)
		A	B	C	D	E	F	G	H	J	K	
10x8x14F	200	183.00 (4648)	81.00 (2057)	89.00 (2261)	176.57 (4485)	145.97 (3708)	96.00 (2438)	18.75 (476)	18.75 (476)	36.88 (937)	20.50 (521)	11,000 (4989.5)
12x8x18F	200-250	200.00 (5080)	100.00 (2540)	120.00 (3048)	184.57 (4688)	158.48 (4025)	104.00 (2642)	26.50 (673)	25.50 (648)	43.62 (1108)	26.35 (669)	15,300 (6940.0)

ITEM No.	DESCRIPTION	QTY.
1	HSC FIRE PUMP & MOTOR	1
2	PUMP SUCTION / DISCHARGE GAUGE	2
3	PUMP CASING AIR RELEASE VALVE	1
4	PUMP CASING RELIEF VALVE	1
5	FIRE PUMP CONTROLLER	1
6	SUCTION OS&Y GATE VALVE, 10" FLANGED	1
7	CHECK VALVE, 10" GROOVED	1
8	TEST TEE, 10" GROOVED	1
9	DISCHARGE BUTTERFLY VALVE, 10" GROOVED	1
10	VMS JOCKEY PUMP & MOTOR	1 (OPT)
11	JOCKEY PUMP CONTROLLER	1 (OPT)
12	CITY BYPASS LOOP, c/w 10" CHECK VALVE & 10" ISOLATION BUTTERFLY VALVES (OPTIONAL)	1 (OPT)
13	FLOW METER LOOP c/w 8" VENTURI METER, AIR RELEASE & 8" ISOLATION BUTTERFLY VALVES	1 (OPT)

S. A. Armstrong Limited
 23 Bertrand Avenue
 Toronto, Ontario
 Canada, M1L 2P3
 T: 416-755-2291
 F: 416-759-9101

Armstrong Pumps Inc.
 93 East Avenue
 North Tonawanda, New York
 U.S.A. 14120-6594
 T: 716-693-8813
 F: 716-693-8970

Armstrong Integrated Limited
 Wenlock Way
 Manchester
 United Kingdom, M12 5JL
 T: +44 (0) 8444 145 145
 F: +44 (0) 8444 145 146



© S.A. Armstrong Limited 2011