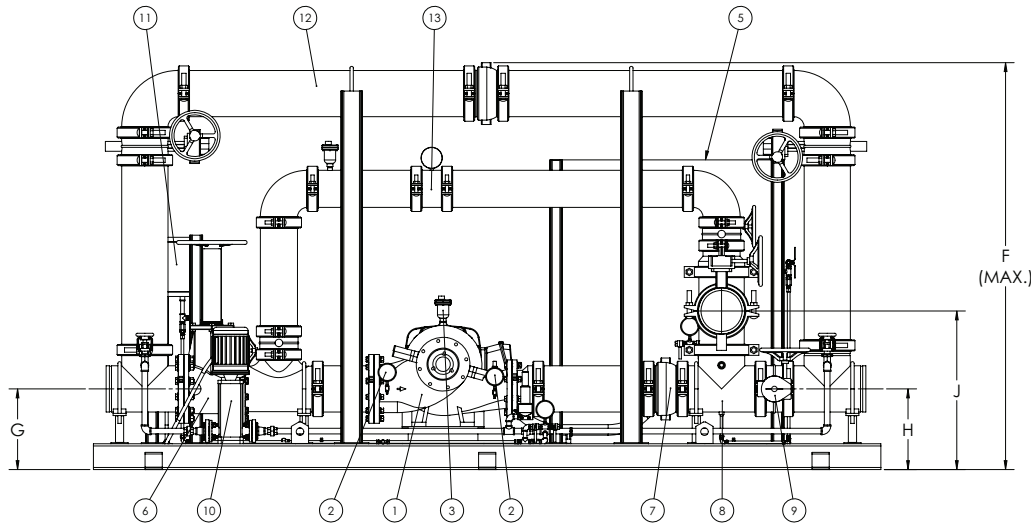
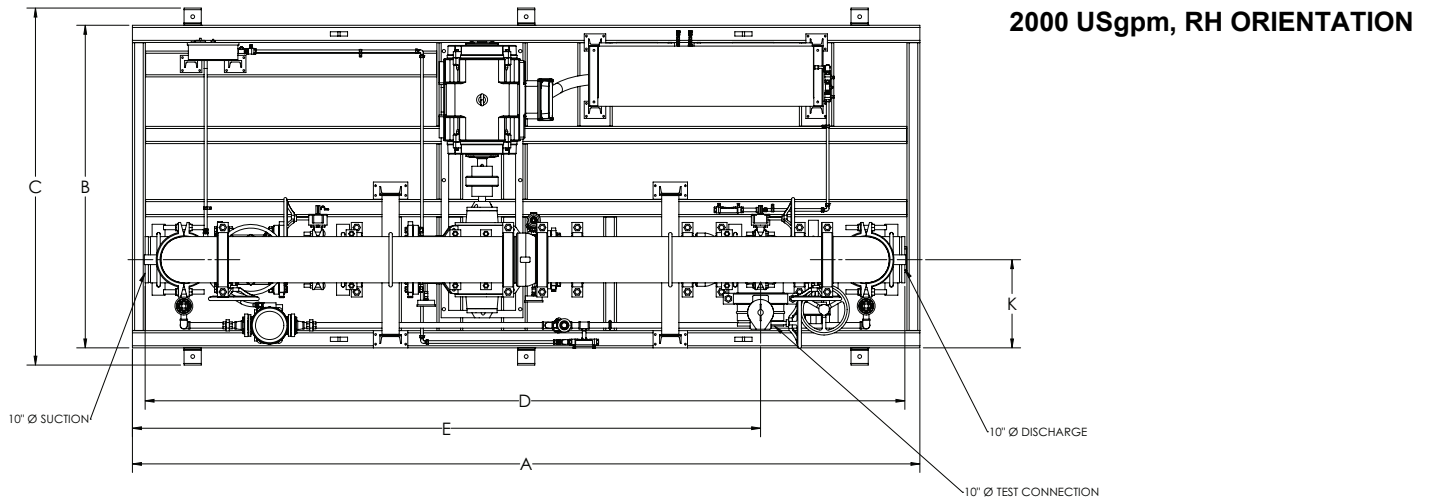


Series 4600 Horizontal Split Case

SUBMITTAL

JOB: _____	REPRESENTATIVE: _____
ENGINEER: _____	ORDER NO: _____ DATE: _____
CONTRACTOR: _____	SUBMITTED BY: _____ DATE: _____
	APPROVED BY: _____ DATE: _____

TAG/REF:										
PUMP DATA	FLOW	HEAD	MOTOR DATA	HP	RPM	VOLT	PH	Hz	ENCLOSURE	



PUMP MODEL	HP		MAX. DIMENSIONS Inches (mm)										MAX. WEIGHT
	ODP	TEFC	A	B	C	D	E	F	G	H	J	K	lbs (kg)
8x6x15H/MF	125	---	183.00 (4648)	75.00 (1905)	83.00 (2108)	176.57 (4485)	145.97 (3708)	92.00 (2337)	15.69 (399)	16.75 (425)	34.38 (873)	20.50 (521)	9,100 (4127.7)
8x6x15H/MF	150-200	125-200	183.00 (4648)	81.00 (2057)	89.00 (2261)	176.57 (4485)	145.97 (3708)	92.00 (2337)	15.69 (399)	16.75 (425)	34.38 (873)	20.50 (521)	10,400 (4717.4)
10x8x11F	75-100		183.00 (4648)	75.00 (1905)	83.00 (2108)	176.57 (4485)	145.97 (3708)	94.00 (2388)	18.00 (457)	18.00 (457)	36.12 (917)	20.50 (521)	9,800 (4445.2)
10x8x14F	100		183.00 (4648)	81.00 (2057)	89.00 (2261)	176.57 (4485)	145.97 (3708)	96.00 (2438)	18.75 (476)	18.75 (476)	36.88 (937)	20.50 (521)	9,900 (4490.6)
10x8x20F	300		186.00 (4724)	112.00 (2845)	120.00 (3048)	185.40 (4709)	152.31 (3869)	106.84 (2714)	25.50 (648)	25.50 (648)	43.62 (1108)	-	16,000 (7258.0)
12x8x18F	250		200.00 (5080)	100.00 (2540)	120.00 (3048)	184.57 (4688)	158.48 (4025)	104.00 (2642)	26.50 (673)	25.50 (648)	43.62 (1108)	26.35 (669)	15,300 (6940.0)

ITEM No.	DESCRIPTION	QTY.
1	HSC FIRE PUMP & MOTOR	1
2	PUMP SUCTION / DISCHARGE GAUGE	2
3	PUMP CASING AIR RELEASE VALVE	1
4	PUMP CASING RELIEF VALVE	1
5	FIRE PUMP CONTROLLER	1
6	SUCTION OS&Y GATE VALVE, 10" FLANGED	1
7	CHECK VALVE, 10" GROOVED	1
8	TEST TEE, 10" GROOVED	1
9	DISCHARGE BUTTERFLY VALVE, 10" GROOVED	1
10	VMS JOCKEY PUMP & MOTOR (OPTIONAL)	1 (OPT)
11	JOCKEY PUMP CONTROLLER	1 (OPT)
12	CITY BYPASS LOOP, c/w 10" CHECK VALVE & 10" ISOLATION BUTTERFLY VALVES (OPTIONAL)	1 (OPT)
13	FLOW METER LOOP c/w 8" VENTURI METER, AIR RELEASE & 8" ISOLATION BUTTERFLY VALVES (OPTIONAL)	1 (OPT)

S. A. Armstrong Limited
 23 Bertrand Avenue
 Toronto, Ontario
 Canada, M1L 2P3
 T: 416-755-2291
 F: 416-759-9101

Armstrong Pumps Inc.
 93 East Avenue
 North Tonawanda, New York
 U.S.A. 14120-6594
 T: 716-693-8813
 F: 716-693-8970

Armstrong Integrated Limited
 Wenlock Way
 Manchester
 United Kingdom, M12 5JL
 T: +44 (0) 8444 145 145
 F: +44 (0) 8444 145 146

