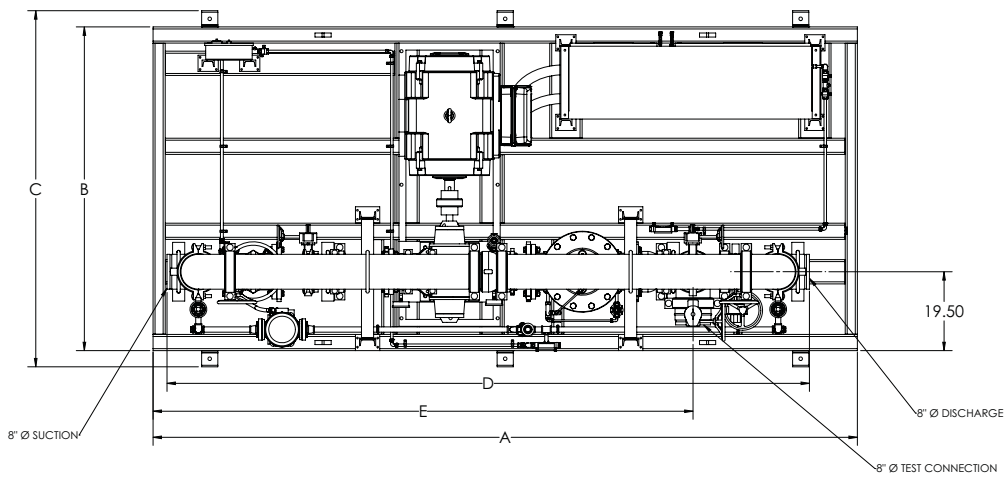


Series 4600 Horizontal Split Case

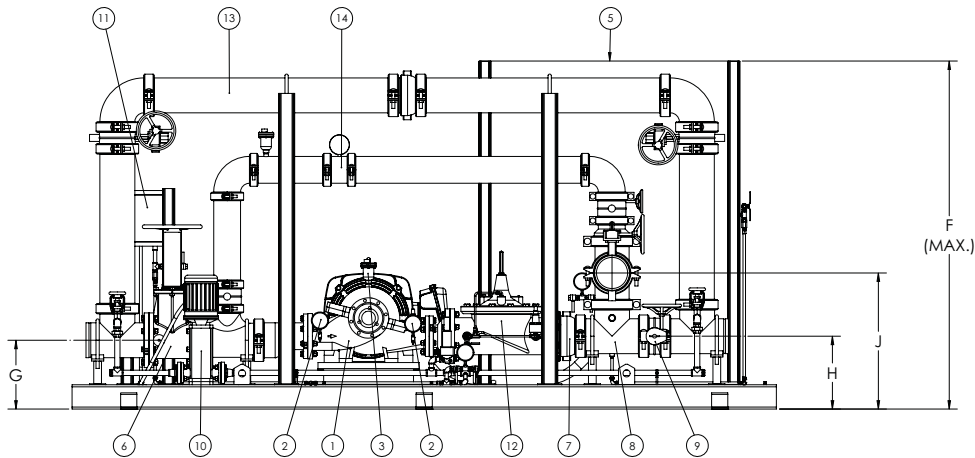
SUBMITTAL

JOB: _____	REPRESENTATIVE: _____
ENGINEER: _____	ORDER NO: _____ DATE: _____
CONTRACTOR: _____	SUBMITTED BY: _____ DATE: _____
	APPROVED BY: _____ DATE: _____

TAG/REF:											
PUMP DATA	FLOW		HEAD		MOTOR DATA	HP	RPM	VOLT	PH	Hz	ENCLOSURE



1000 USgpm, RH ORIENTATION



PUMP	HP		MAX. DIMENSIONS Inches (mm)									MAX.
	OPD	TEFC	A	B	C	D	E	F	G	H	J	lbs (kg)
6x5x9.5F	75-100		166.00 (4216)	74.00 (1880)	82.00 (2083)	152.73 (3879)	130.41 (3312)	84.00 (2134)	15.50 (394)	16.50 (419)	32.12 (816)	8,000 (3628.7)
6x5x10F	125-150	---	166.00 (4216)	74.00 (1880)	82.00 (2083)	152.73 (3879)	130.41 (3312)	84.00 (2134)	15.50 (394)	16.50 (419)	32.12 (816)	7,800 (3538.0)
6x5x10F	---	125-150	166.00 (4216)	80.00 (2032)	88.00 (2235)	152.73 (3879)	130.41 (3312)	84.00 (2134)	17.00 (432)	18.00 (457)	33.62 (854)	9,200 (4173.1)
6x5x12MF	150	---	166.00 (4216)	74.00 (1880)	82.00 (2083)	158.73 (4032)	133.41 (3389)	84.00 (2134)	15.50 (394)	16.50 (419)	32.12 (816)	7,900 (3583.4)
6x5x12MF	---	150	166.00 (4216)	80.00 (2032)	88.00 (2235)	158.73 (4032)	133.41 (3389)	84.00 (2134)	17.00 (432)	18.00 (457)	33.62 (854)	8,800 (3991.6)
6x5x12MF	200-250	---	174.00 (4420)	80.00 (2032)	88.00 (2235)	158.73 (4032)	133.41 (3389)	86.00 (2184)	17.00 (432)	18.00 (457)	33.62 (854)	8,900 (4037.0)
6x5x12MF	---	200-250	174.00 (4420)	92.00 (2337)	100.00 (2540)	158.73 (4032)	133.41 (3389)	86.00 (2184)	17.00 (432)	18.00 (457)	33.62 (854)	10,400 (4717.4)
6x5x15F	40-75		166.00 (4216)	74.00 (1880)	82.00 (2083)	158.73 (4032)	133.41 (3389)	84.00 (2134)	17.00 (432)	18.00 (457)	33.62 (854)	7,900 (3583.4)

ITEM No.	DESCRIPTION	QTY.
1	HSC FIRE PUMP & MOTOR	1
2	PUMP SUCTION / DISCHARGE GAUGE	2
3	PUMP CASING AIR RELEASE VALVE	1
4	PUMP CASING RELIEF VALVE	1
5	FIRE PUMP CONTROLLER	1
6	SUCTION OS&Y GATE VALVE, 8" FLANGED	1
7	CHECK VALVE, 8" GROOVED	1
8	TEST TEE, 8" GROOVED	1
9	DISCHARGE BUTTERFLY VALVE, 8" GROOVED	1
10	VMS JOCKEY PUMP & MOTOR	1 (OPT)
11	JOCKEY PUMP CONTROLLER	1 (OPT)
12	SUCTION CONTROL VALVE, 8" FLANGED (OPTIONAL)	1 (OPT)
13	CITY BYPASS LOOP, c/w 8" CHECK VALVE & 8" ISOLATION BUTTERFLY VALVES	1 (OPT)
14	FLOW METER LOOP c/w 6" VENTURI METER, AIR RELEASE & 6" ISOLATION BUTTERFLY VALVES	1 (OPT)

S. A. Armstrong Limited
 23 Bertrand Avenue
 Toronto, Ontario
 Canada, M1L 2P3
 T: 416-755-2291
 F: 416-759-9101

Armstrong Pumps Inc.
 93 East Avenue
 North Tonawanda, New York
 U.S.A. 14120-6594
 T: 716-693-8813
 F: 716-693-8970

Armstrong Integrated Limited
 Wenlock Way
 Manchester
 United Kingdom, M12 5JL
 T: +44 (0) 8444 145 145
 F: +44 (0) 8444 145 146



© S.A. Armstrong Limited 2011