

TORNATECH VENTURI TYPE FLOW METER SUBMITTAL

File No: F43-4593
Date: SEPTEMBER 29, 2023
Supersedes: NEW
Date: NEW

Job: _____ Representative: _____

Order No: _____ Date: _____

Engineer: _____ Submitted by: _____ Date: _____

Contractor: _____ Approved by: _____ Date: _____

CONSTRUCTION & SPECIFICATIONS

Materials: Stainless steel (2" - 4")
Coated steel (6" - 12")

Float Valve: ¼" Stainless steel

Flange option: Grooved End

Id tag: Stainless steel

METER DATA

Dial standard: 4"

Construction: Stainless steel (2" - 4")
Coated steel (6" - 12")

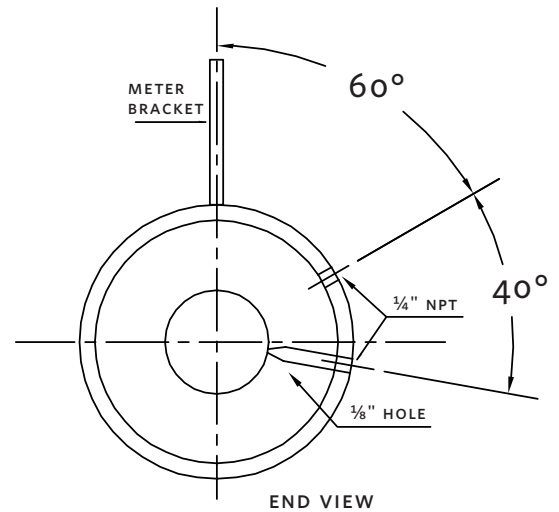
Operation: Diaphragm (BUNA convoluted)

Accuracy: +2% full scale

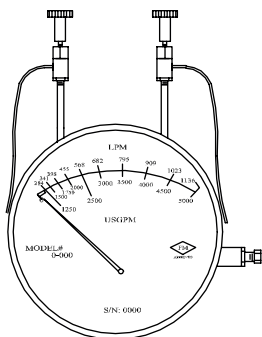
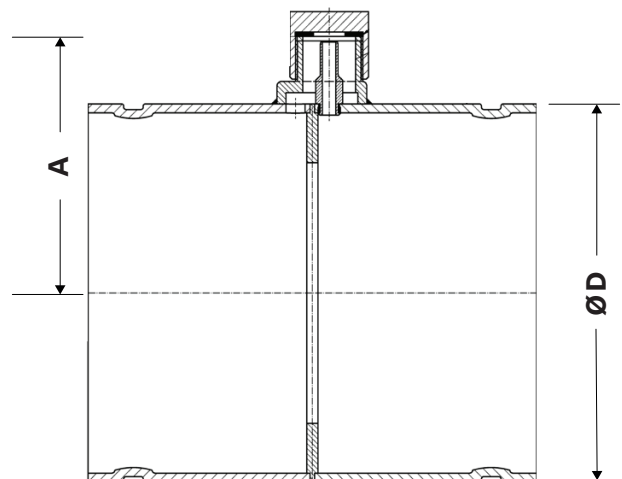
Temperature: +39°F to +122°F (+4°C to +50°C)

Pressure: 928 psig (64 bar)

Approx. Weight: 3.75 lbs (1.7 kg)



GROOVED



2

PIPE SIZE	FLOW USGPM	METER RANGE MIN & MAX GPM	GROOVED		
			A	ØD	WEIGHTS
2"	50	25-100	2.36 (60)	2.38 (60)	4.4(2)
2½"	100	50-200	2.68 (68)	2.88 (73)	4.6 (2.1)
3"	150	75-300	2.95 (75)	3.50 (89)	5.1 (2.3)
	200	100-400			
4"	250	125-500	3.42 (87)	4.50 (114)	7.1 (3.2)
	300	150-600			
	400	200-800			
	450	225-900			
6"	500	250-1000	4.44 (113)	6.50 (165)	10.8 (4.9)
	750	375-1500			
	1000	500-2000			
	1250	625-2500			
8"	1000	500-2000	5.50 (140)	8.62 (219)	14.1 (6.4)
	1250	625-2500			
	1500	750-3000			
	2000	1000-4000			
	2500	1250-5000			
	3000	1500-6000			
10"	1500	750-3000	6.50 (166)	10.75 (273)	18.7 (8.5)
	2000	1000-4000			
	2500	1250-5000			
	3000	1500-6000			
	3500	1750-7000			
	4000	2000-8000			
	4500	2250-9000			
12"	2500	1250-5000	7.55 (192)	12.75 (324)	24.2 (11)
	3000	1500-6000			
	3500	1750-7000			
	4000	2000-8000			
	4500	2500-10000			
	5000	2500-10000			

TORONTO
+1 416 755 2291

BUFFALO
+1 716 693 8813

DROITWICH SPA
+44 121 550 5333

MANCHESTER
+44 161 223 2223

BANGALORE
+91 80 4906 3555

SHANGHAI
+86 21 5237 0909

BEIJING
+86 21 5237 0909

SÃO PAULO
+55 11 4785 1330

LYON
+33 4 26 83 78 74

DUBAI
+971 4 887 6775

JIMBOLIA
+40 256 360 030

FRANKFURT
+49 6173 999 77 55

NOTE: Dimensions are in inches (mm); Weights are in lbs (kg)