

## GERAND VENTURI TYPE FLOW METER | SUBMITTAL

File No: F43.4591  
 Date: FEBRUARY 19, 2016  
 Supersedes: F43.459  
 Date: APRIL 15, 2001

Job: \_\_\_\_\_ Representative: \_\_\_\_\_

Order No: \_\_\_\_\_ Date: \_\_\_\_\_

Engineer: \_\_\_\_\_ Submitted by: \_\_\_\_\_ Date: \_\_\_\_\_

Contractor: \_\_\_\_\_ Approved by: \_\_\_\_\_ Date: \_\_\_\_\_



### CONSTRUCTION & SPECIFICATIONS

**Materials:** Steel zinc plated ASTM A53B ERW - ANSI B36.10

**Valves:** Cast bronze ASTM B584

**Flange option:** ASTM A105 2½"-10" SCH 40 BORE  
 12" & ABOVE STD. BORE

**Id tag:** Aluminum- 3.21" thick #200 MILL

### METER DATA

**Dial standard:** 4"

**Construction:** Case is anodized aluminum

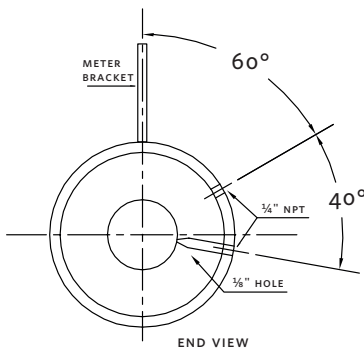
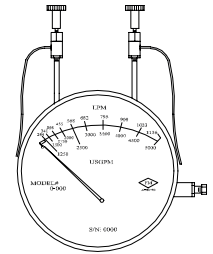
**Operation:** BUNA N diaphragm and 302 SS SPRING

**Accuracy:** within ±2.0%

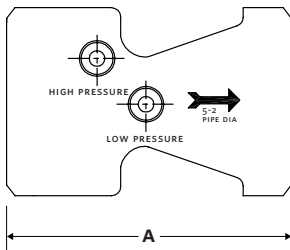
**Temperature:** 180°F (80°C)

**Pressure:** 500 PSIG (3450 kpa)

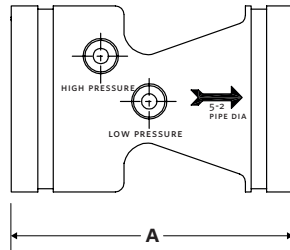
**Approx. Weight:** 3.75 lbs (1.7 kg)



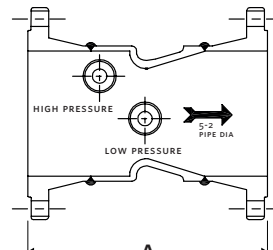
### BUTT WELD/GROOVED



BUTT WELD



GROOVED



FLANGED

2

PIPE SIZE	FLOW USGPM	METER RANGE MIN & MAX GPM	BUTT WELD / GROOVED		150 # FLANGE		300# FLANGE	
			A	WEIGHTS	A	WEIGHTS	A	WEIGHTS
2½"	100	50-200	3.00 (76) 4.00 (102)*	11 (5.0) 10 (4.5)*	9.50 (241)	30 (13.6)	10.00 (254)	30 (13.6)
3"	150	75-300	2.50 (63)	12 (5.4)	9.00 (229)	39 (17.7)	10.30 (262)	39 (17.7)
	200	100-400	4.40 (112)*	13 (5.9)*				
4"	250	125-500	2.50 (63) 3.80 (97)*	14 (6.3)	9.50 (241)	51 (23.1)	10.80 (274)	51 (23.1)
	300	150-600						
	400	200-800						
	450	225-900						
5"	500	250-1000	5.00 (127)	15 (6.8)	12.00 (305)	55 (25.0)	13.30 (338)	55 (25.0)
	750	375-1500						
6"	1000	500-2000	6.00 (152)	17 (7.7)	13.00 (330)	71 (32.2)	14.30 (363)	71 (32.2)
	1250	625-2500						
8"	1500	750-3000	7.00 (178)	20 (9.1)	15.00 (381)	124 (56.2)	16.30 (414)	124 (56.2)
	2000	1000-4000						
	2500	1250-5000						
	3000	1500-6000						
10"	3500	1750-7000	8.00 (203)	23 (10.4)	16.00 (406)	174 (78.9)	17.80 (452)	174 (78.9)
	4000	2000-8000						
	4500	2250-9000						
12"	5000	2500-10000	12.00 (305)	62 (28.1)	21.00 (533)	268 (121.6)	22.80 (579)	268 (121.6)

**NOTE:** \* Data for Grooved option  
Dimensions are in inches (mm)  
Weights are in lbs (kg)

## TORONTO

+1 416 755 2291

## BUFFALO

+1 716 693 8813

## BIRMINGHAM

+44 (0) 8444 145 145

## MANCHESTER

+44 (0) 8444 145 145

## BANGALORE

+91 (0) 80 4906 3555

## SHANGHAI

+86 21 3756 6696

## SÃO PAULO

+55 11 4781 5500