

HOSE VALVE SYSTEM

SUBMITTAL DRAWING

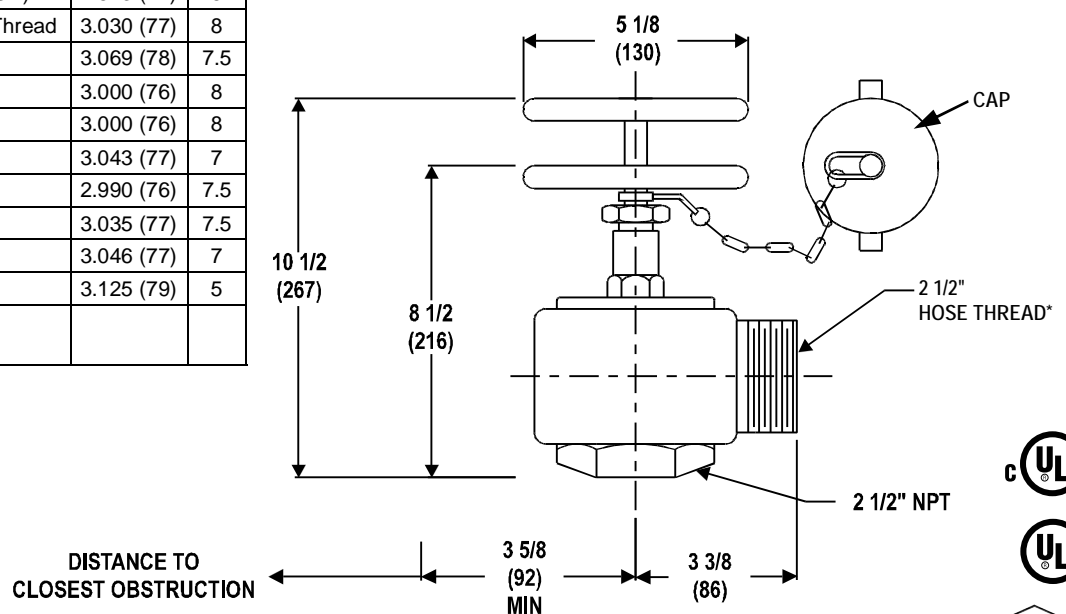
JOB: _____	REPRESENTATIVE: _____
_____	_____
ENGINEER: _____	ORDER NO: _____ DATE: _____
CONTRACTOR: _____	SUBMITTED BY: _____ DATE: _____
_____	APPROVED BY: _____ DATE: _____

Hose Valve Standard Thread Data*

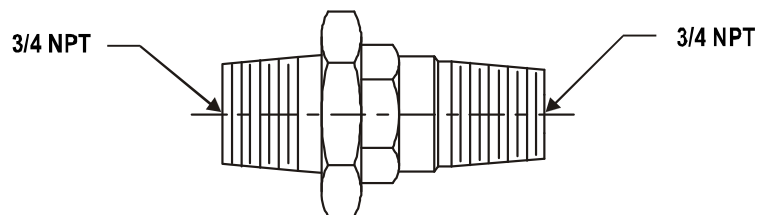
Fire Hose Thread Standard	OD	TPI
National Pipe Straight Hose (NPSH)	2.843 (72)	8
New York City Fire Department Thread	3.030 (77)	8
National Hose Thread (NHT)	3.069 (78)	7.5
New York Corporation Thread	3.000 (76)	8
Eastern Hose Thread	3.000 (76)	8
Chicago Hose Thread	3.043 (77)	7
Chicago Fire Department Thread	2.990 (76)	7.5
Pacific Coast Thread	3.035 (77)	7.5
Quebec Standard Thread	3.046 (77)	7
Canadian Standards Association	3.125 (79)	5
Other (please indicate):		

*As per city standards.

HOSE VALVE & CAP



AUTOMATIC BALL DRIP VALVE



NOTE:

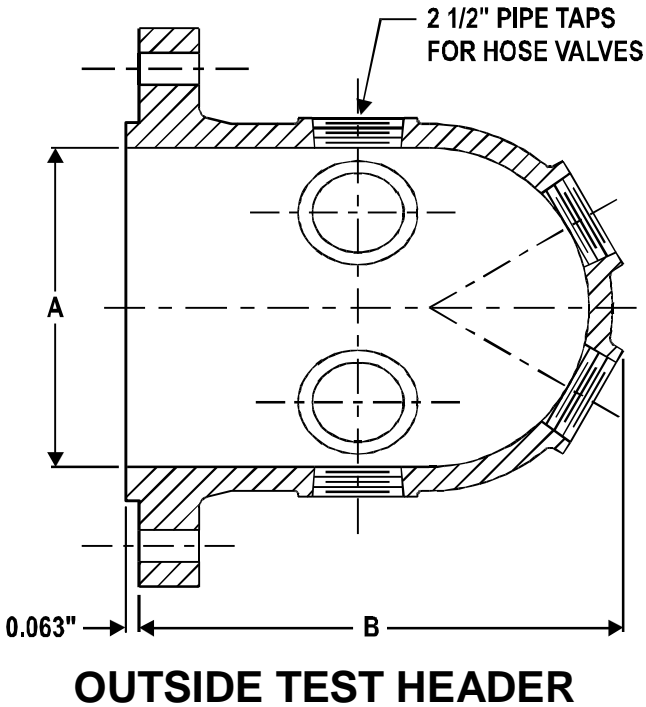
1. Used to drain low point of system between swing check valve and fire dept. connection or isolation valve and test header.
2. Automatically seals under pressure.
3. Must be installed in horizontal position.

NOTE:

1. Dimensions are not used for construction purposes unless certified.
2. Data subject to change without notice.
3. As per NFPA 20 2003 Sect. 6.3.

All dimensions are in inches (mm).

HOSE VALVE SYSTEM



Pump rating (gpm)	Flange Rating	A	B	Hose Valve (qty.)
400 450 500	150# 250#	4 (102)	10-3/4 (273) 5-7/8 (149)	2
750	150# 250#	6 (152)	10-3/4 (274) 7-3/8 (187)	3
1000	150# 250#	6 (152)	10-3/4 (274) 7-3/8 (187)	4
1250 1500 2000	150# 250#	8 (203)	9 (229) 8-3/8 (213)	6
2500	150# 250#	10 (254)	11-1/4 (285) 11-7/8 (301)	8
3000	150# 250#	10 (254)	10-3/8 (264) 11 (279)	12

Note: All dimensions are in inches (mm)

NOTE:

1. Dimensions are not used for construction purposes unless certified.
2. Data subject to change without notice.
3. Quantity and manifold size as per NFPA 20 2003 Table 5.25.

S. A. Armstrong Limited
23 Bertrand Avenue
Toronto, Ontario
Canada, M1L 2P3
T: (416) 755-2291
F (Main): (416) 759-9101

Armstrong Pumps Inc.
93 East Avenue
North Tonawanda, New York
U.S.A. 14120-6594
T: (716) 693-8813
F: (716) 693-8970

Armstrong Holden Brooke Pullen
Wenlock Way
Manchester
United Kingdom, M12 5JL
T: +44 (0) 161 223 2223
F: +44 (0) 161 220 9660



© S.A. Armstrong Limited 2008