

## E.2 SERIES CIRCULATORS

### E33.2/E33.2B | SUBMITTAL

File No: 10.602  
 Date: MAY 03, 2022  
 Supersedes: 10.602  
 Date: JULY 25, 2018

Job: \_\_\_\_\_ Representative: \_\_\_\_\_  
 \_\_\_\_\_ Order no.: \_\_\_\_\_ Date: \_\_\_\_\_  
 Engineer: \_\_\_\_\_ Submitted by: \_\_\_\_\_ Date: \_\_\_\_\_  
 Contractor: \_\_\_\_\_ Approved by: \_\_\_\_\_ Date: \_\_\_\_\_

QUANTITY	TAG NO.	PART NUMBER	FLOW (USgpm)	HEAD (FEET)	VOLTAGE	PHASE	COMMENTS

#### TECHNICAL DATA

**Flow range:** 0 to 143.0 USgpm (0 to 9.0 L/s)  
**Head range:** 0 to 26.0 feet (0 to 7.9 m)  
**Max/Min fluid temp:** 230°F/32°F (110°C/ 0°C)  
**Max. working pressure:** 150 psi (1034 kPa)

#### MATERIALS OF CONSTRUCTION

**Pump body:** Cast iron (closed systems)  
 Bronze (lead free for open systems)

**Face plate:** Stainless steel      **Shaft:** Stainless steel  
**Impeller:** 30% Glass-filled noryl      **Volute gasket:** EPDM  
**Bearings:** Permanently lubricated stainless steel  
**Seal:** Silicon carbide enviroseal c/w viton elastomer  
 All Bronze Circulators are NSF - 372 rated

#### PART NUMBER

	120V	240V
E33.2-2"	182222-669	182212-628
E33.2B-2"	182212-670	182212-629
E33.2-3"	182212-675	182212-634
E33.2B-3"	182212-676	182212-635

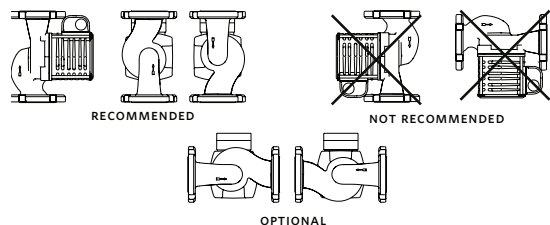
#### ACCESSORIES

- |  |  |
|--|--|
| <p><b>E33.2-2"/E33.2B-2"</b></p> <ul style="list-style-type: none"> <li>• 2" Flange kits</li> <li>• Timer</li> <li>• Aquastat</li> </ul> | <p><b>E33.2-3"/E33.2B-3"</b></p> <ul style="list-style-type: none"> <li>• 3" Flange kits</li> <li>• Timer</li> <li>• Aquastat</li> </ul> |
|--|--|

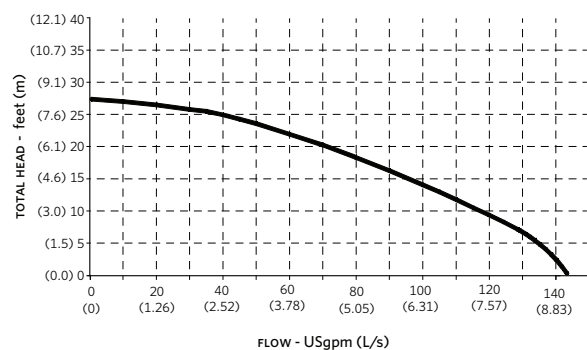
#### MOTOR DATA

<b>Voltage</b>	120V	208V	240V	277V
<b>Full load amp draw</b>	5.7A	3.1A	3.1A	3.1A
<b>Nominal power:</b> 3/8 hp (300W)				<b>Frequency:</b> 60 Hz
<b>Motor type:</b> Two pole, Single phase ODP				<b>Speed:</b> 3300 rpm

#### MOUNTING ORIENTATION FOR INDOOR USE ONLY

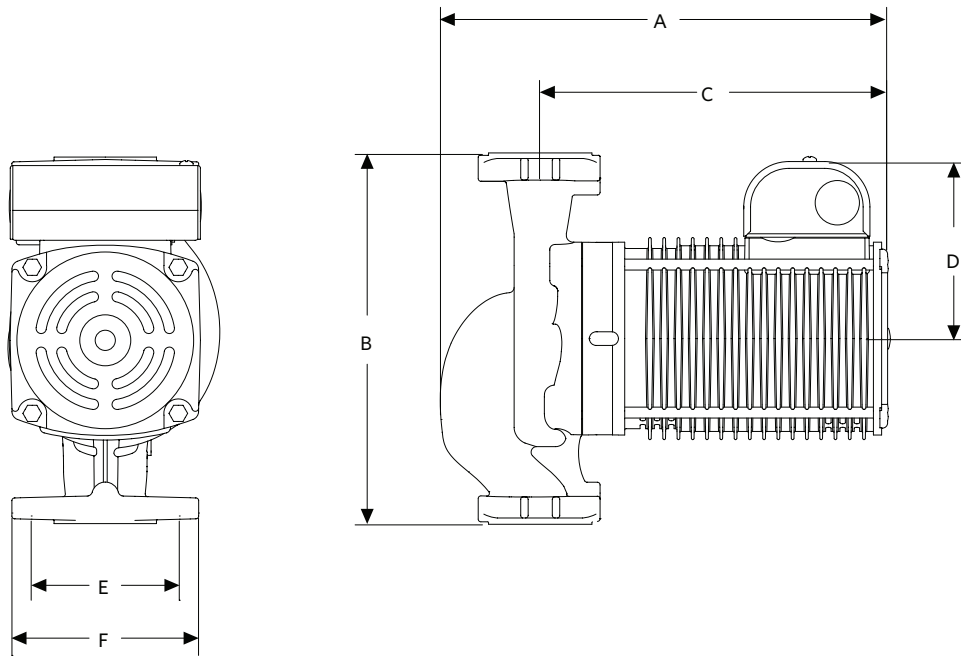


#### PERFORMANCE CURVE



Performance curves are for reference only. Confirm current performance data with Armstrong ACE ONLINE selection software.

DIMENSIONS inches (mm)									SHIP. WEIGHT
MODEL	BODY	A	B	C	D	E	F	CASING FLANGE SIZE & TYPE	lbs (kgs)
E33.2-2"	Cast iron	10.90 (276)	8.50 (215)	8.30 (210)	4.00 (101)	2.90 (73)	5.20 (131)	2" diameter 4-bolt flanges	17.2 (7.80)
E33.2B-2"	Bronze	10.90 (276)	8.50 (215)	8.30 (210)	4.00 (101)	2.90 (73)	5.20 (131)	2" diameter 4-bolt flanges	25.7 (11.66)
E33.2-3"	Cast iron	11.30 (286)	8.50 (215)	8.30 (210)	4.00 (101)	3.50 (89)	6.00 (152)	3" diameter 4-bolt flanges	26.8 (12.16)
E33.2B-3"	Bronze	11.30 (286)	8.50 (215)	8.30 (210)	4.00 (101)	3.50 (89)	6.00 (152)	3" diameter 4-bolt flanges	29.2 (13.24)



TORONTO  
+1 416 755 2291

BUFFALO  
+1 716 693 8813

DROITWICH SPA  
+44 8444 145 145

MANCHESTER  
+44 8444 145 145

BANGALORE  
+91 80 4906 3555

SHANGHAI  
+86 21 5237 0909

SÃO PAULO  
+55 11 4785 1330

LYON  
+33 4 26 83 78 74

DUBAI  
+971 4 887 6775

MANNHEIM  
+49 621 3999 9858

JIMBOLIA  
+40 256 360 030