

## DESIGN ENVELOPE 6800 G | COMMERCIAL WATER BOOSTER | 1440602 - 1340602s | SUBMITTAL

File No: 106.02571EC  
Date: APRIL 24, 2018  
Supersedes: NEW  
Date: NEW

Job: \_\_\_\_\_ Representative: \_\_\_\_\_  
 \_\_\_\_\_ Order by: \_\_\_\_\_ Date: \_\_\_\_\_  
 Engineer: \_\_\_\_\_ Submitted by: \_\_\_\_\_ Date: \_\_\_\_\_  
 Contractor: \_\_\_\_\_ Approved by: \_\_\_\_\_ Date: \_\_\_\_\_

### PUMP DESIGN DATA

No. of pumps: 4 Tag: \_\_\_\_\_ Series: 4700  
 Total package capacity: \_\_\_\_\_ L/s (m<sup>3</sup>/h)  
 Pump capacity: \_\_\_\_\_ L/s (m<sup>3</sup>/h)  
 Head: \_\_\_\_\_ Bar (m) Liquid: \_\_\_\_\_  
 Construction: Stainless steel 304

### CONNECTION ORIENTATION

Suction  Right\*  Left\*  
 Discharge  Right\*  Left\*

\* When facing control panel

### DRIVE DATA

Enclosure: IP66  
 EMI/RFI control: Integrated filter designed to meet EN61800-3  
 Harmonic suppression: Integrated DC link reactors  
 Cooling: Fan-cooled through back channel  
 Ambient temperature: -10°C to +45°C up to 1000 meters

### OPTIONAL EQUIPMENT

Duty standby discharge transducer:  Yes  No  
 BMS communication:  BACnet MS/TP  BACnet IP  
 LonWorks  
 Float switch:  Yes  No  
 AV kit:  No  Potable water untied  
 Potable water tied  
 Overhead break tank:  Yes  No

### SYSTEM CONSTRUCTION DATA

System description: Quadruplex  
 Model: \_\_\_\_\_  
 Header connections: Flanged  
 Piping material: Stainless steel 304  
 Valve type: Ball valve/butterfly valve and Check valve  
 Setup:  All duty  Duty standby

### MOTOR DESIGN DATA

kW: 4 RPM: 3600 Frame size: 90 Enclosure: TEFC  
 Power supply: 400/3/50 V Efficiency: IE5

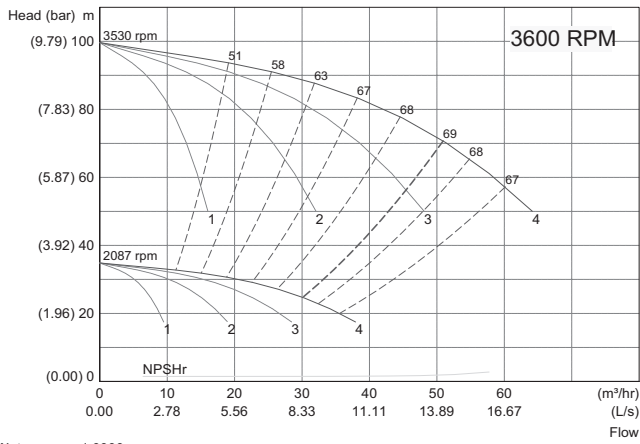
### CONTROL PANEL SPECIFICATIONS

Enclosure rating: IP55  
 HMI: Colour touch screen  
 Low suction shutdown  
 Main disconnect with interlock  
 Fused motor protection  
 Power on indication  
 Motor run indication  
 No-flow shutdown and automatic alternation  
 Soft fill mode  
 Pressure setback mode  
 Field adjustable set points, alarms  
 Flash memory storage  
 Suction transducer included  
 Modbus RTU serial communication

### DESIGN ENVELOPE CAPABILITY DATA

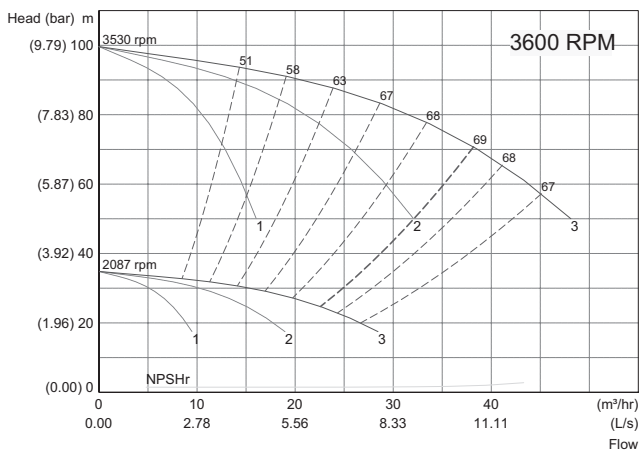
ENVELOPE CURVE NUMBER	PUMP	PRESSURE RATING in bar	MAX WORKING PRESSURE in bar	EACH MOTOR in kW	SUCTION E	DISCHARGE F	FLC in Amps	
<input type="checkbox"/> 1440602	<input type="checkbox"/> 1340602S	VMS-10:06	PN16	8.04	4	DN 80	DN 80	8.4

I440602



Water, spgr= 1.0000

I340602S



Water, spgr= 1.0000

DIMENSION DATA

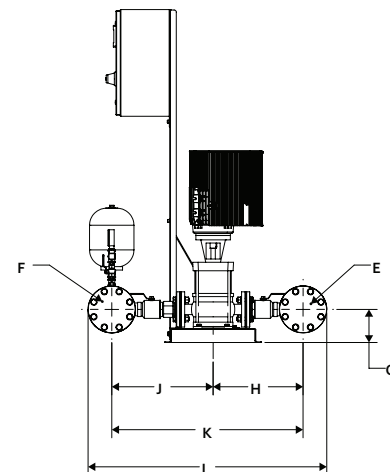
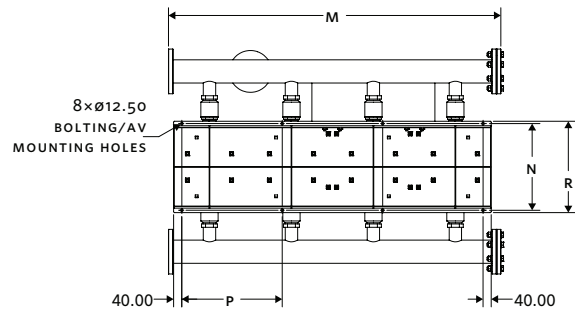
I440602 I340602S

<b>A:</b>	1550 (61.02)
<b>B:</b>	1560 (61.42)
<b>C:</b>	846 (33.32)
<b>D:</b>	600 (23.62)
<b>G:</b>	145 (5.71)
<b>H:</b>	344 (13.52)
<b>J:</b>	382 (15.02)
<b>K:</b>	725 (28.54)
<b>L:</b>	925 (36.42)
<b>M:</b>	1621 (63.82)
<b>N:</b>	427 (16.81)
<b>P:</b>	490 (19.29)
<b>R:</b>	450 (17.72)
<b>T:</b>	25 (0.98)
<b>WEIGHT:</b>	437.0 (963)

Dimensions - mm (inches)

Weight - kg (lbs)

**Note:** Tolerances are 12 mm ( $\pm 1/2"$ ) unless otherwise specified.



TORONTO

+1 416 755 2291

BUFFALO

+1 716 693 8813

BIRMINGHAM

+44 (0) 8444 145 145

MANCHESTER

+44 (0) 8444 145 145

BANGALORE

+91 (0) 80 4906 3555

SHANGHAI

+86 (0) 21 5237 0909

