

DEPM 6800Q | QUINTAPLEX 增压系统 |
(5 用 / 4 用 + 1 备泵) | 提交表文件编号: 100.614CH
日期: 2024 年 5 月 31 日
替代版本: 全新版本
日期: 全新

任务: _____ 经销商: _____
_____ 订单号: _____ 日期: _____
承包商: _____ 提交人: _____ 日期: _____
工程师: _____ 审核人: _____ 日期: _____

增压系统设计参数

标签: _____ 型号: _____
工作方式: 5 用 4 用 + 1 备
总流量: _____ L/s (m³/hr) 每泵流量: _____ L/s (m³/hr)
吸入 (供应) 压力: _____ m (bar)
设计端 NPSHr: _____ m (bar)
增压系统压力 (扬程): _____ m (bar)
排放压力: _____ m (bar)
总装机功率: _____ kW
设计吸收功率: _____ kW
设计效率: _____ %
液体: 水 最高温度: 65° C ± 2 (150° F ± 4)
其他: _____ 最高温度: _____ ° F (° C)
比重: _____ 粘度: _____ lbf*s/ft² (Pa*s)

注: 测试公差 (依据 ISO 9906 2B 级标准)
测量流量的 ±8%, 测量扬程的 ±5%

增压系统结构参数

泵类型: 4700 Q (立式多级)

泵结构: 全不锈钢

管道材料: 304 不锈钢

底座和支柱材料: 304 不锈钢

吸入阀类型:

球阀 (DN50 以下)

蝶阀 (大于或等于 DN50)

排放阀类型:

止回阀 (NRV) + 球阀 (DN50)

止回阀 (NRV) + 蝶阀 (大于或等于 DN50)

进水接头朝向: 右 左

排放接头朝向: 右 左

系统接头类型: 法兰式

进水法兰类型: PN16

排放法兰类型: PN16

PN25

电机参数

电机类型 (能效等级): 感应式 (IE3)
永磁式 (IE5)

电压: 06: 400-415/3/50 03: 380/3/50
05: 400/3/50 08: 440/3/50

相位: 3 频率: 60 Hz 外壳: TEFC

注:

- 增压系统电源频率为 50Hz

驱动器参数

驱动器类型: VFD (感应电机)
ECM (永磁电机)

外壳: UL Type 12 (感应电机)
IP55 (永磁电机)

EMI/RFI 控制: 符合 EN61800 - 3 标准的集成滤波器

谐波抑制: 集成 DC link 电容器 (所有 VFD 和 112 机
座永磁电机内)

冷却: 背面通道风扇冷却

环境温度: -14° F 至 113° F (-10° C 至 +45° C)
海拔 3280 ft (1000 m) 以下

控制面板参数

CE 标记

IP 54 外壳

PLC 控制

4.3" 彩色触摸屏

联锁门主断开装置

MPCB (电机保护电路断路器)

开机指示

电极运行指示

每台泵虚拟手动 - 关闭 - 自动 (HOA)

闪存存储

控制功能

安全功能:

- 高吸入压力关停
- 低吸入压力关停及自动重启
- 曲线终止保护
- 软填充模式
- 应急电源模式

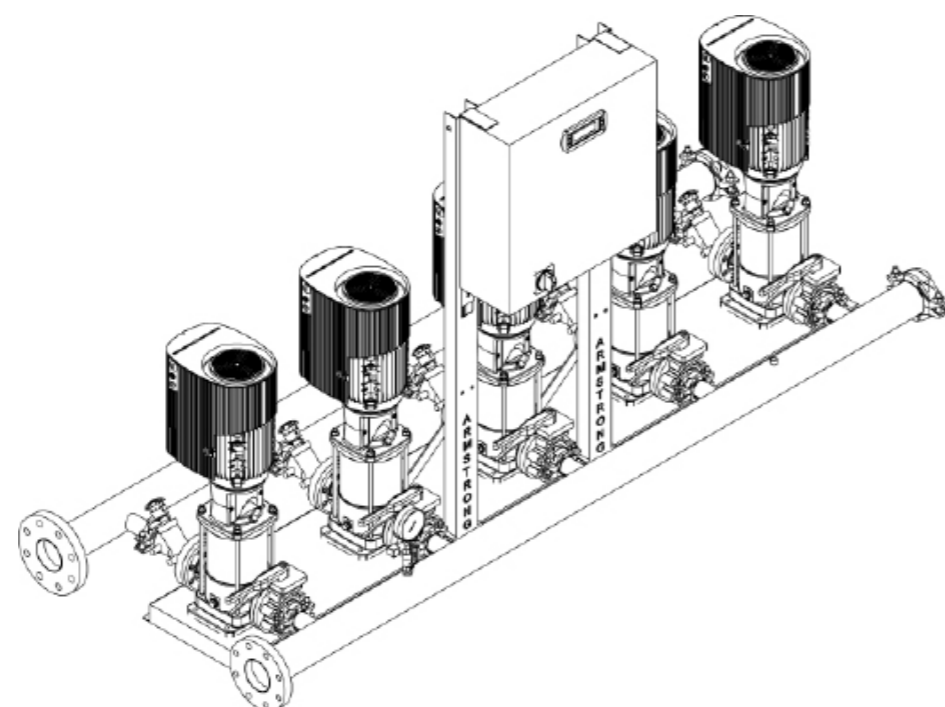
符合 ASHRAE 90.1 第 10.4 款:

- 无流量关停
- 压力定降模式

可选项

BMS 通讯协议: BACnet/IP
BACnet MS/TP
Modbus RTU

- 低吸入液位关停
- 浮子开关
- 远端压力传感器
- 冗余压力传感器
- 认证测试报告



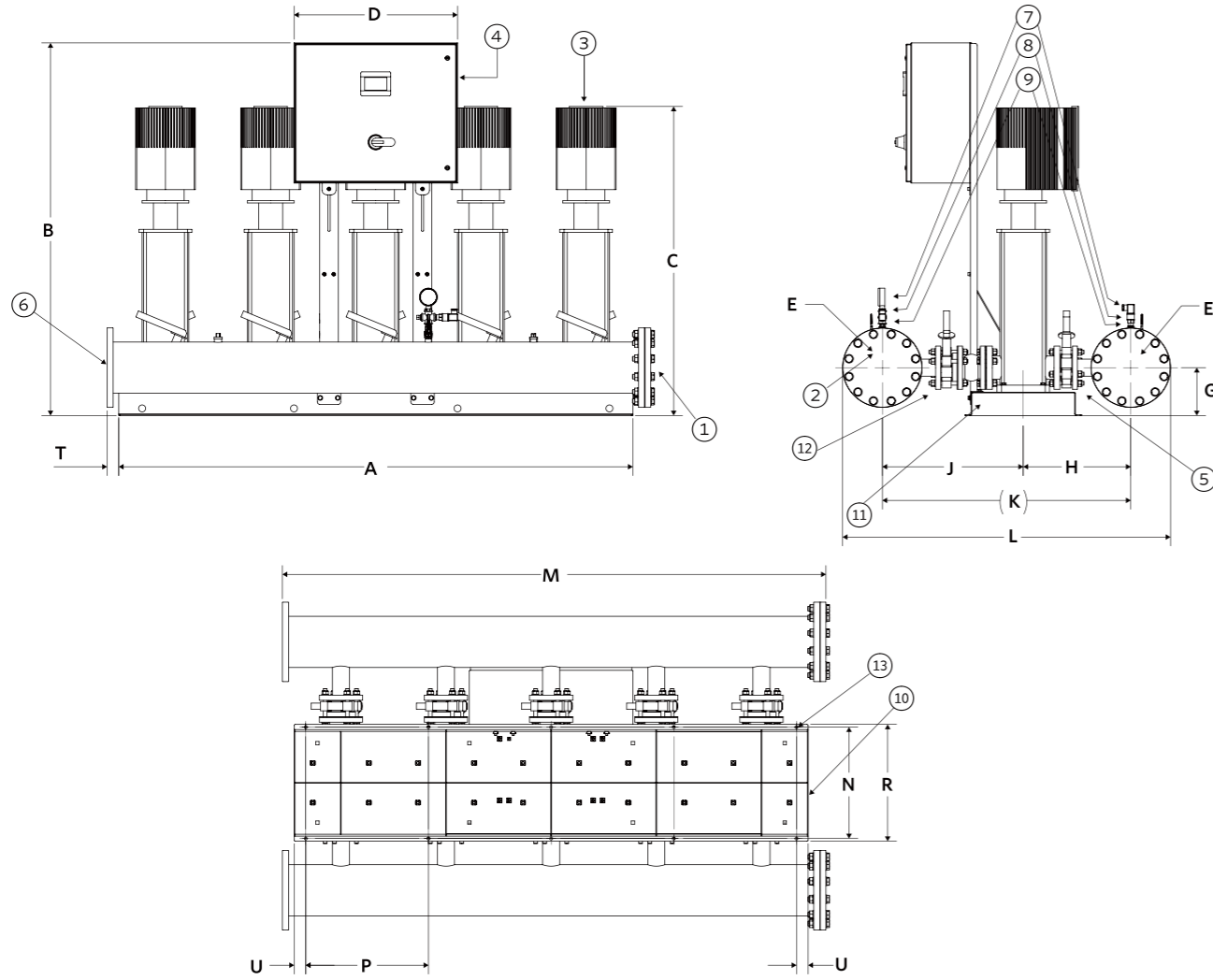
DEPM 功能参数

| DE智能变频机型 | | VMS 机型 | 每泵功率 (kW) | 最大工作压力 (bar) | 最大流量L/s (m³/hr) | | 最大扬程 m (bar) | BEP能效 (%) | 电机机座 | 驱动器类型 |
|----------------|----------------|---------------|-----------|--------------|-----------------|---------------|--------------|-----------|--------|--------|
| 双用 | 一备一用 | | | | 双用 | 一备一用 | | | | |
| QPR-532011-XXD | QPR-432011-XXS | QVMS 32:01-1A | 3 | 16 | 68.6 (246.9) | 54.9 (197.5) | 8.3 (0.8) | 69.0% | 90 | DEPM |
| QPR-532010-XXD | QPR-432010-XXS | QVMS 32:01A | 4 | 16 | 68.6 (246.9) | 54.9 (197.5) | 16 (1.6) | 71.6% | 90 | DEPM |
| QPR-532022-XXD | QPR-432022-XXS | QVMS 32:02-2A | 5.5 | 16 | 68.6 (246.9) | 54.9 (197.5) | 16.7 (1.6) | 69.0% | 90 | DEPM |
| QPR-532032-XXD | QPR-432032-XXS | QVMS 32:03-2A | 7.5 | 16 | 68.6 (246.9) | 54.9 (197.5) | 32.8 (3.2) | 71.6% | 112 | DEPM |
| QPR-532042-XXD | QPR-432042-XXS | QVMS 32:04-2A | 11 | 16 | 68.6 (246.9) | 54.9 (197.5) | 48.9 (4.8) | 71.6% | 112 | DEPM |
| QVR-532052-XXD | QVR-432052-XXS | QVMS 32:05-2A | 15 | 16 | 67.2 (242.1) | 53.8 (193.6) | 62.5 (6.1) | 71.6% | 160M | DE IVS |
| QVR-532060-XXD | QVR-432060-XXS | QVMS 32:06A | 18.5 | 25 | 67.1 (241.4) | 53.7 (193.2) | 92.3 (9.1) | 71.6% | 160L | DE IVS |
| QVR-532082-XXD | QVR-432082-XXS | QVMS 32:08-2A | 22 | 25 | 67.3 (242.3) | 53.8 (193.8) | 109.2 (10.7) | 71.6% | 180M | DE IVS |
| QVR-532102-XXD | QVR-432102-XXS | QVMS 32:10-2A | 30 | 25 | 67.6 (243.4) | 54.1 (194.7) | 141.3 (13.9) | 71.6% | 200L | DE IVS |
| QPR-542011-XXD | QPR-442011-XXS | QVMS 42:01-1A | 5.5 | 16 | 92.9 (334.3) | 74.3 (267.4) | 17.3 (1.7) | 70.6% | 90 | DEPM |
| QPR-542010-XXD | QPR-442010-XXS | QVMS 42:01A | 7.5 | 16 | 92.9 (334.3) | 74.3 (267.4) | 20.7 (2) | 70.6% | 112 | DEPM |
| QPR-542022-XXD | QPR-442022-XXS | QVMS 42:02-2A | 11 | 16 | 92.9 (334.3) | 74.3 (267.4) | 34.7 (3.4) | 70.6% | 112 | DEPM |
| QVR-542020-XXD | QVR-442020-XXS | QVMS 42:02A | 15 | 16 | 91.1 (327.8) | 72.8 (262.2) | 39.8 (3.9) | 70.6% | 160M | DE IVS |
| QVR-542030-XXD | QVR-442030-XXS | QVMS 42:03A | 18.5 | 16 | 91.1 (327.8) | 72.8 (262.2) | 59.8 (5.9) | 70.6% | 160L | DE IVS |
| QVR-542042-XXD | QVR-442042-XXS | QVMS 42:04-2A | 22 | 25 | 89.8 (323.2) | 71.8 (258.5) | 71.7 (7) | 70.6% | 180M | DE IVS |
| QVR-542050-XXD | QVR-442050-XXS | QVMS 42:05A | 30 | 25 | 90.2 (324.7) | 72.1 (259.7) | 97.7 (9.6) | 70.6% | 200L | DE IVS |
| QVR-542060-XXD | QVR-442060-XXS | QVMS 42:06A | 37 | 25 | 91.4 (329.1) | 73.1 (263.3) | 120.5 (11.8) | 70.6% | 200L | DE IVS |
| QVR-542070-XXD | QVR-442070-XXS | QVMS 42:07A | 45 | 25 | 91.6 (329.7) | 73.3 (263.7) | 141 (13.8) | 70.6% | 225M/S | DE IVS |
| QPR-565011-XXD | QPR-465011-XXS | QVMS 65:01-1A | 7.5 | 16 | 128.1 (461.3) | 102.5 (369.1) | 15.9 (1.6) | 67.0% | 112 | DEPM |
| QPR-565010-XXD | QPR-465010-XXS | QVMS 65:01A | 11 | 16 | 128.6 (462.9) | 102.9 (370.3) | 25.1 (2.5) | 68.3% | 112 | DEPM |
| QVR-565022-XXD | QVR-465022-XXS | QVMS 65:02-2A | 15 | 16 | 125.7 (452.3) | 100.5 (361.9) | 30.6 (3) | 67.0% | 160M | DE IVS |
| QVR-565020-XXD | QVR-465020-XXS | QVMS 65:02AE | 18.5 | 16 | 124.8 (449.2) | 99.8 (359.4) | 47.2 (4.6) | 68.3% | 160L | DE IVS |
| QVR-565032-XXD | QVR-465032-XXS | QVMS 65:03-2A | 22 | 16 | 126.4 (454.9) | 101.1 (363.9) | 55.4 (5.4) | 68.2% | 180M | DE IVS |
| QVR-565030-XXD | QVR-465030-XXS | QVMS 65:03A | 30 | 16 | 126.8 (456.4) | 101.4 (365.1) | 73.1 (7.2) | 68.3% | 200L | DE IVS |
| QVR-565042-XXD | QVR-465042-XXS | QVMS 65:04-2A | 37 | 16 | 126.4 (454.9) | 101.1 (363.9) | 79.9 (7.8) | 68.2% | 200L | DE IVS |
| QVR-565052-XXD | QVR-465052-XXS | QVMS 65:05-2A | 45 | 16 | 126.4 (454.9) | 101.1 (363.9) | 104.5 (10.2) | 68.2% | 225M/S | DE IVS |
| QPR-585011-XXD | QPR-485011-XXS | QVMS 85:01-1A | 11 | 16 | 171.4 (617.1) | 137.1 (493.7) | 8.2 (0.8) | 65.2% | 112 | DEPM |
| QVR-585010-XXD | QVR-485010-XXS | QVMS 85:01A | 15 | 16 | 167.7 (603.6) | 134.1 (482.9) | 19.4 (1.9) | 66.4% | 160M | DE IVS |
| QVR-585022-XXD | QVR-485022-XXS | QVMS 85:02-2A | 18.5 | 16 | 168.1 (605.1) | 134.5 (484.1) | 15.8 (1.5) | 65.3% | 160L | DE IVS |
| QVR-585021-XXD | QVR-485021-XXS | QVMS 85:02-1A | 22 | 16 | 168.6 (607.1) | 134.9 (485.6) | 27.8 (2.7) | 64.8% | 180M | DE IVS |
| QVR-585020-XXD | QVR-485020-XXS | QVMS 85:02A | 30 | 16 | 168.6 (607.1) | 134.9 (485.6) | 39.2 (3.8) | 66.4% | 200L | DE IVS |
| QVR-585031-XXD | QVR-485031-XXS | QVMS 85:03-1A | 37 | 16 | 168.6 (607.1) | 134.9 (485.6) | 47.5 (4.7) | 64.8% | 200L | DE IVS |
| QVR-585042-XXD | QVR-485042-XXS | QVMS 85:04-2A | 45 | 16 | 169.1 (608.6) | 135.2 (486.9) | 54.9 (5.4) | 65.1% | 225M/S | DE IVS |

注:

型号中的 -xx (D 或 S) 代表增压系统电压。

- 400-415/3/50: -06(D 或 S)
- 380/3/50: -03(D 或 S)
- 400/3/50: -05(D 或 S)
- 440/3/50: -08(D 或 S)



Quintaplex 增压系统

| 项目 | 说明 |
|----|----------------------------|
| ① | 304 不锈钢吸入集管 |
| ② | 304 不锈钢排放集管 |
| ③ | 不锈钢泵 + 集成控制系统 (IVS 或 DEPM) |
| ④ | 控制面板 + FLC 和全彩色触控 HMI |
| ⑤ | 吸入隔离阀 |
| ⑥ | 法兰接头 |
| ⑦ | 压力计 |
| ⑧ | 压力传感器 |
| ⑨ | 压力计隔离阀 |
| ⑩ | 不锈钢底座和面板支架 |
| ⑪ | 排放止回 (NRV) 阀 |
| ⑫ | 排放隔离阀 |
| ⑬ | 6×12.50 螺栓 /AV 安装孔 |

注：
1 标准右侧朝向图示
2 所有泵相同

| DE智能变频机型 | 一备一用 | VMS机型 | A* | B* | C** | D* | 集管法兰等级 | 集管尺寸 E | G* | H** | J** | K* | L* | M* | N** | P** | R** | T* | U* | 重量 |
|-----------------|----------------|---------------|--------|--------|--------|-------|--------|--------|-------|-------|-------|--------|--------|--------|-------|-------|-------|------|------|------|
| QPR-532011-XXD | QPR-432011-XXS | QVMS 32:01-1A | 2200.0 | 1560.0 | 930.0 | 700.0 | PN16 | DN 200 | 205.0 | 460.0 | 603.2 | 1063.2 | 1403.2 | 2326.0 | 641.0 | 525.0 | 664.0 | 50.0 | 50.0 | 768 |
| QPR-532010-XXD | QPR-432010-XXS | QVMS 32:01A | 2200.0 | 1560.0 | 930.0 | 700.0 | PN16 | DN 200 | 205.0 | 460.0 | 603.2 | 1063.2 | 1403.2 | 2326.0 | 641.0 | 525.0 | 664.0 | 50.0 | 50.0 | 813 |
| QPR-532022-XXD | QPR-432022-XXS | QVMS 32:02-2A | 2200.0 | 1560.0 | 1000.0 | 700.0 | PN16 | DN 200 | 205.0 | 460.0 | 603.2 | 1063.2 | 1403.2 | 2326.0 | 641.0 | 525.0 | 664.0 | 50.0 | 50.0 | 901 |
| QPR-532032-XXD | QPR-432032-XXS | QVMS 32:03-2A | 2200.0 | 1560.0 | 1148.0 | 700.0 | PN16 | DN 200 | 205.0 | 460.0 | 603.2 | 1063.2 | 1403.2 | 2326.0 | 641.0 | 525.0 | 664.0 | 50.0 | 50.0 | 1001 |
| QPR-532042-XXD | QPR-432042-XXS | QVMS 32:04-2A | 2200.0 | 1560.0 | 1323.0 | 700.0 | PN16 | DN 200 | 205.0 | 460.0 | 603.2 | 1063.2 | 1403.2 | 2326.0 | 641.0 | 525.0 | 664.0 | 50.0 | 50.0 | 1383 |
| QVR-532052-XXD | QVR-432052-XXS | QVMS 32:05-2A | 2200.0 | 1560.0 | 1541.0 | 700.0 | PN16 | DN 200 | 205.0 | 460.0 | 603.2 | 1063.2 | 1403.2 | 2326.0 | 641.0 | 525.0 | 664.0 | 50.0 | 50.0 | 1886 |
| QVR-532060-XXD | QVR-432060-XXS | QVMS 32:06A | 2200.0 | 1560.0 | 1611.0 | 700.0 | PN25 | DN 200 | 205.0 | 460.0 | 603.2 | 1063.2 | 1423.2 | 2332.0 | 641.0 | 525.0 | 664.0 | 50.0 | 50.0 | 2136 |
| QVR-532082-XXD | QVR-432082-XXS | QVMS 32:08-2A | 2200.0 | 1560.0 | 1886.0 | 700.0 | PN25 | DN 200 | 205.0 | 460.0 | 603.2 | 1063.2 | 1423.2 | 2332.0 | 641.0 | 525.0 | 664.0 | 50.0 | 50.0 | 2825 |
| QVR-532102-XXD | QVR-432102-XXS | QVMS 32:10-2A | 2200.0 | 1560.0 | 2078.0 | 700.0 | PN25 | DN 200 | 205.0 | 460.0 | 603.2 | 1063.2 | 1423.2 | 2332.0 | 641.0 | 525.0 | 664.0 | 50.0 | 50.0 | 3170 |
| QPR-542011-XXD | QPR-442011-XXS | QVMS 42:01-1A | 2500.0 | 1560.0 | 986.0 | 700.0 | PN16 | DN 250 | 240.0 | 492.5 | 665.7 | 1158.2 | 1563.2 | 2578.0 | 727.0 | 600.0 | 750.0 | 25.0 | 50.0 | 1010 |
| QPR-542010-XXD | QPR-442010-XXS | QVMS 42:01A | 2500.0 | 1560.0 | 1064.0 | 700.0 | PN16 | DN 250 | 240.0 | 492.5 | 665.7 | 1158.2 | 1563.2 | 2578.0 | 727.0 | 600.0 | 750.0 | 25.0 | 50.0 | 1090 |
| QPR-542022-XXD | QPR-442022-XXS | QVMS 42:02-2A | 2500.0 | 1560.0 | 1251.0 | 700.0 | PN16 | DN 250 | 240.0 | 492.5 | 665.7 | 1158.2 | 1563.2 | 2578.0 | 727.0 | 600.0 | 750.0 | 25.0 | 50.0 | 1472 |
| QVR-542020-XXD | QVR-442020-XXS | QVMS 42:02A | 2500.0 | 1560.0 | 1399.0 | 700.0 | PN16 | DN 250 | 240.0 | 492.5 | 665.7 | 1158.2 | 1563.2 | 2578.0 | 727.0 | 600.0 | 750.0 | 25.0 | 50.0 | 1942 |
| QVR-542030-XXD | QVR-442030-XXS | QVMS 42:03A | 2500.0 | 1560.0 | 1678.0 | 700.0 | PN16 | DN 250 | 240.0 | 492.5 | 665.7 | 1158.2 | 1563.2 | 2578.0 | 727.0 | 600.0 | 750.0 | 25.0 | 50.0 | 2192 |
| QVR-542042-XXD | QVR-442042-XXS | QVMS 42:04-2A | 2500.0 | 1560.0 | 1695.0 | 700.0 | PN25 | DN 250 | 240.0 | 492.5 | 665.7 | 1158.2 | 1583.2 | 2578.0 | 727.0 | 600.0 | 750.0 | 25.0 | 50.0 | 2567 |
| QVR-542050-XXD | QVR-442050-XXS | QVMS 42:05A | 2500.0 | 1560.0 | 1827.0 | 700.0 | PN25 | DN 250 | 240.0 | 492.5 | 665.7 | 1158.2 | 1583.2 | 2578.0 | 727.0 | 600.0 | 750.0 | 25.0 | 50.0 | 3178 |
| QVR-542060-XXD | QVR-442060-XXS | QVMS 42:06A | 2500.0 | 1560.0 | 1893.0 | 700.0 | PN25 | DN 250 | 240.0 | 492.5 | 665.7 | 1158.2 | 1583.2 | 2578.0 | 727.0 | 600.0 | 750.0 | 25.0 | 50.0 | 3403 |
| QVR-542070-XXD | QVR-442070-XXS | QVMS 42:07A | 2500.0 | 1560.0 | 1994.0 | 700.0 | PN25 | DN 250 | 240.0 | 492.5 | 665.7 | 1158.2 | 1583.2 | 2578.0 | 727.0 | 600.0 | 750.0 | 25.0 | 50.0 | 4510 |
| QPR-5505011-XXD | QPR-465011-XXS | QVMS 65:01-1A | 2500.0 | 1560.0 | 1064.0 | 700.0 | PN16 | DN 250 | 240.0 | 499.0 | 722.2 | 1221.2 | 1626.2 | 2578.0 | 727.0 | 600.0 | 750.0 | 25.0 | 50.0 | 1121 |
| QPR-5505010-XXD | QPR-465010-XXS | QVMS 65:01A | 2500.0 | 1560.0 | 1175.0 | 700.0 | PN16 | DN 250 | 240.0 | 499.0 | 722.2 | 1221.2 | 1626.2 | 2578.0 | 727.0 | 600.0 | 750.0 | 25.0 | 50.0 | 1484 |
| QVR-5505022-XXD | QVR-465022-XXS | QVMS 65:02-2A | 2500.0 | 1560.0 | 1405.0 | 700.0 | PN16 | DN 250 | 240.0 | 499.0 | 722.2 | 1221.2 | 1626.2 | 2578.0 | 727.0 | 600.0 | 750.0 | 25.0 | 50.0 | 1954 |
| QVR-5505020-XXD | QVR-465020-XXS | QVMS 65:02AE | 2500.0 | 1560.0 | 1405.0 | 700.0 | PN16 | DN 250 | 240.0 | 499.0 | 722.2 | 1221.2 | 1626.2 | 2578.0 | 727.0 | 600.0 | 750.0 | 25.0 | 50.0 | 2384 |
| QVR-5505032-XXD | QVR-465032-XXS | QVMS 65:03-2A | 2500.0 | 1560.0 | 1625.0 | 700.0 | PN16 | DN 250 | 240.0 | 499.0 | 722.2 | 1221.2 | 1626.2 | 2578.0 | 727.0 | 600.0 | 750.0 | 25.0 | 50.0 | 2579 |
| QVR-5505030-XXD | QVR-465030-XXS | QVMS 65:03A | 2500.0 | 1560.0 | 1675.0 | 700.0 | PN16 | DN 250 | 240.0 | 499.0 | 722.2 | 1221.2 | 1626.2 | 2578.0 | 727.0 | 600.0 | 750.0 | 25.0 | 50.0 | 3310 |
| QVR-5505042-XXD | QVR-465042-XXS | QVMS 65:04-2A | 2500.0 | 1560.0 | 1344.0 | 700.0 | PN16 | DN 250 | 240.0 | 499.0 | 722.2 | 1221.2 | 1626.2 | 2578.0 | 727.0 | 600.0 | 750.0 | 25.0 | 50.0 | 3400 |
| QVR-5505052-XXD | QVR-465052-XXS | QVMS 65:05-2A | 2500.0 | 1560.0 | 1848.0 | 700.0 | PN16 | DN 250 | 240.0 | 499.0 | 722.2 | 1221.2 | 1626.2 | 2578.0 | 727.0 | 600.0 | 750.0 | 25.0 | 50.0 | 4485 |
| QPR-585011-XXD | QPR-485011-XXS | QVMS 85:01-1A | 2500.0 | 1560.0 | 1084.0 | 700.0 | PN16 | DN 250 | 250.0 | 506.5 | 729.7 | 1236.2 | 1776.2 | 2578.0 | 727.0 | 600.0 | 750.0 | 25.0 | 50.0 | 1484 |
| QVR-585010-XXD | QVR-485010-XXS | QVMS 85:01A | 2500.0 | 1560.0 | 1231.0 | 700.0 | PN16 | DN 250 | 250.0 | 506.5 | 729.7 | 1236.2 | 1776.2 | 2578.0 | 727.0 | 600.0 | 750.0 | 25.0 | 50.0 | 1959 |
| QVR-585022-XXD | QVR-485022-XXS | QVMS 85:02-2A | 2500.0 | 1560.0 | 1434.0 | 700.0 | PN16 | DN 250 | 250.0 | 506.5 | 729.7 | 1236.2 | 1776.2 | 2578.0 | 727.0 | 600.0 | 750.0 | 25.0 | 50.0 | 2199 |
| QVR-585021-XXD | QVR-485021-XXS | QVMS 85:02-1A | 2500.0 | 1560.0 | 1560.0 | 700.0 | PN16 | DN 250 | 250.0 | 506.5 | 729.7 | 1236.2 | 1776.2 | 2578.0 | 727.0 | 600.0 | 750.0 | 25.0 | 50.0 | 2559 |
| QVR-585020-XXD | QVR-485020-XXS | QVMS 85:02A | 2500.0 | 1560.0 | 1712.0 | 700.0 | PN16 | DN 250 | 250.0 | 506.5 | 729.7 | 1236.2 | 1776.2 | 2578.0 | 727.0 | 600.0 | 750.0 | 25.0 | 50.0 | 3150 |
| QVR-585031-XXD | QVR-485031-XXS | QVMS 85:03-1A | 2500.0 | 1560.0 | 1700.0 | 700.0 | PN16 | DN 250 | 250.0 | 506.5 | 729.7 | 1236.2 | 1776.2 | 2578.0 | 727.0 | 600.0 | 750.0 | 25.0 | 50.0 | 3370 |
| QVR-585042-XXD | QVR-485042-XXS | QVMS 85:04-2A | 2500.0 | 1560.0 | 1813.0 | 700.0 | PN16 | DN 250 | 250.0 | 506.5 | 729.7 | 1236.2 | 1776.2 | 2578.0 | 727.0 | 600.0 | 750.0 | 25.0 | 50.0 | 4455 |

注：
1 公差
* ±25.40mm
** ±12.70mm
*** ±6.35mm
2 尺寸单位为 mm。
型号中的 -xx (D 或 S) 代表增压系统电压。
400-415/3/50: -06(D 或 S)
380/3/50: -03(D 或 S)
400/3/50: -05(D 或 S)
440/3/50: -08(D 或 S)

多伦多 - 加拿大

23 BERTRAND AVENUE
TORONTO, ONTARIO
CANADA, M1L 2P3
+1 416 755 2291

布法罗 - 美国

93 EAST AVENUE
NORTH TONAWANDA, NEW YORK
U.S.A., 14120-6594
+1 716 693 8813

德罗伊特威奇 - 英国

POINTON WAY,
STONEBRIDGE CROSS BUSINESS PARK
DROITWICH SPA, WORCESTERSHIRE
UNITED KINGDOM, WR9 0LW
+44 8444 145 14

曼彻斯特 - 英国

WOLVERTON STREET
MANCHESTER
UNITED KINGDOM, M11 2ET
+44 8444 145 145

班加罗尔 - 印度

#59, FIRST FLOOR, 3RD MAIN
MARGOSA ROAD, MALLESWARAM
BANGALORE, INDIA, 560 003
+91 80 4906 3555

北京 - 中国

北京市朝阳区东三环北路2号
南银大厦1612室
中国 100027

上海 - 中国

上海市虹口区四川北路888号903室
中国 200085
+86 21 5237 0909

上海 - 中国

上海市奉贤区吴塘路368号
中国 201400

圣保罗 - 巴西

RUA JOSÉ SEMIÃO RODRIGUES AGOSTINHO, 1370
GALPÃO 6 EMBU DAS ARTES
SAO PAULO, BRAZIL
+55 11 4785 1330

里昂 - 法国

93 RUE DE LA VILLETTE
LYON, 69003 FRANCE
+33 4 26 83 78 74

迪拜 - 阿联酋

JAFZA VIEW 19, OFFICE 402
P.O.BOX 18226 JAFZA,
DUBAI - UNITED ARAB EMIRATES
+971 4 887 6775

曼海姆 - 德国

DYNAMOSTRASSE 13
68165 MANNHEIM
GERMANY
+49 621 3999 9858

任博利亚 - 罗马尼亚

STR CALEA MOTILOR NR. 2C
JIMBOLIA 305400, JUD.TIMIS
ROMANIA
+40 256 360 030

艾蒙特朗流体系统
始于 1934

ARMSTRONGFLUIDTECHNOLOGY.COM

联系我们:

+86 21 5237 0909

Armstrongfluidtechnology.com/zh-cn/



关注我们