



Series 4302 IVS Design Envelope
Models: 06BA4, 06BB4, 06BC4

06B_4

FILE NO:	100.566L
DATE:	Mar. 03, 2009
SUPERSEDES:	New
DATE:	New

SUBMITTAL

JOB: _____	REPRESENTATIVE: _____
ENGINEER: _____	ORDER NO: _____ DATE: _____
CONTRACTOR: _____	SUBMITTED BY: _____ DATE: _____
	APPROVED BY: _____ DATE: _____

PUMP DESIGN DATA			
NO. OF PUMPS: _____			
TAG: _____			
CAPACITY: _____	L/s (USgpm)	HEAD: _____	m (ft.)
LIQUID: _____		VISCOSITY: _____	
TEMPERATURE: _____	°C (°F)	SPECIFIC GRAVITY: _____	

MOTOR DESIGN DATA		
KW: _____		
FRAME SIZE: _____	ENCLOSURE: _____	
VOLTS: _____	HERTZ: 50 Hz	PHASE: 3
EFFICIENCY: <input type="checkbox"/> EFF 2 <input type="checkbox"/> EFF 1		
FLANGE SIZE: SUCTION: 100 mm (4")		DISCHARGE: 100 mm (4")

DESIGN ENVELOPE CAPABILITY DATA					
MODEL	FLOW Lps (USgpm)	HEAD m (ft)	EFF%	MOTOR kW	RPM
<input type="checkbox"/> 06BA4	10 (158)	4 (12)	69.8	0.75	1250
<input type="checkbox"/> 06BB4	13 (209)	6 (20)	69.8	1.1	1635
<input type="checkbox"/> 06BC4	16 (248)	7 (22)	69.8	1.5	1824

DRIVE DATA	
SENSORLESS CONTROL:	<input type="checkbox"/> REQUIRED <input type="checkbox"/> NOT REQUIRED
*MINIMUM SYSTEM PRESSURE TO BE MAINTAINED _____ m (ft)	
FIELDBUS PROTOCOL: <input type="checkbox"/> ModBUS RTU (standard) <input type="checkbox"/> LonWorks <input type="checkbox"/> BACnet	
ENCLOSURE: IP55	
EMI/RFI CONTROL: Integrated Filter designed to meet EN61800-3	
HARMONIC SUPPRESSION: Integrated DC Link Reactors (<5% THD)	
COOLING: Fan-cooled through back channel	
AMBIENT TEMPERATURE: -10°C to +45°C up to 1000 meters above sea level (-14°F TO +113°F, 3280ft)	
ANALOG INPUTS: 2, 1 Current or 1 Voltage	
ANALOG OUTPUTS: 1, current	
DIGITAL INPUTS: 3 Programmable	
DIGITAL OUTPUTS: 1 (shared with Analog output)	
PULSE INPUTS: 1 (shared with 1 digital input)	
RELAY OUTPUTS: 1 Programmable	
COMMUNICATION PORT: RS 485	
**EXPANSION CARD OPTION	
Drive A	<input type="checkbox"/> Auxiliary Analog I/O <input type="checkbox"/> Auxiliary Digital I/O <input type="checkbox"/> Auxiliary Relay <input type="checkbox"/> Real-Time Clock
Drive B	<input type="checkbox"/> Auxiliary Analog I/O <input type="checkbox"/> Auxiliary Digital I/O <input type="checkbox"/> Auxiliary Relay <input type="checkbox"/> Real-Time Clock

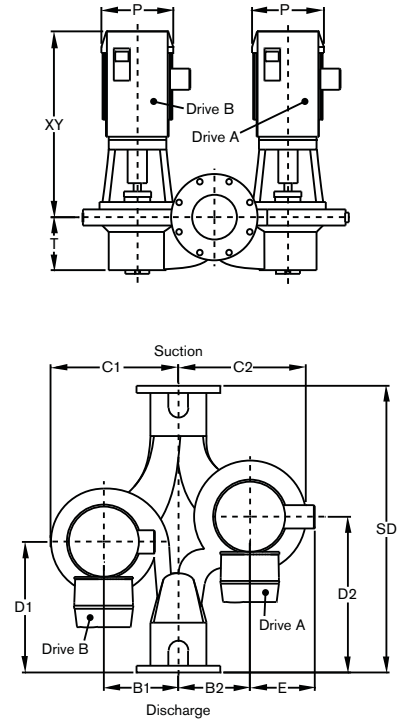
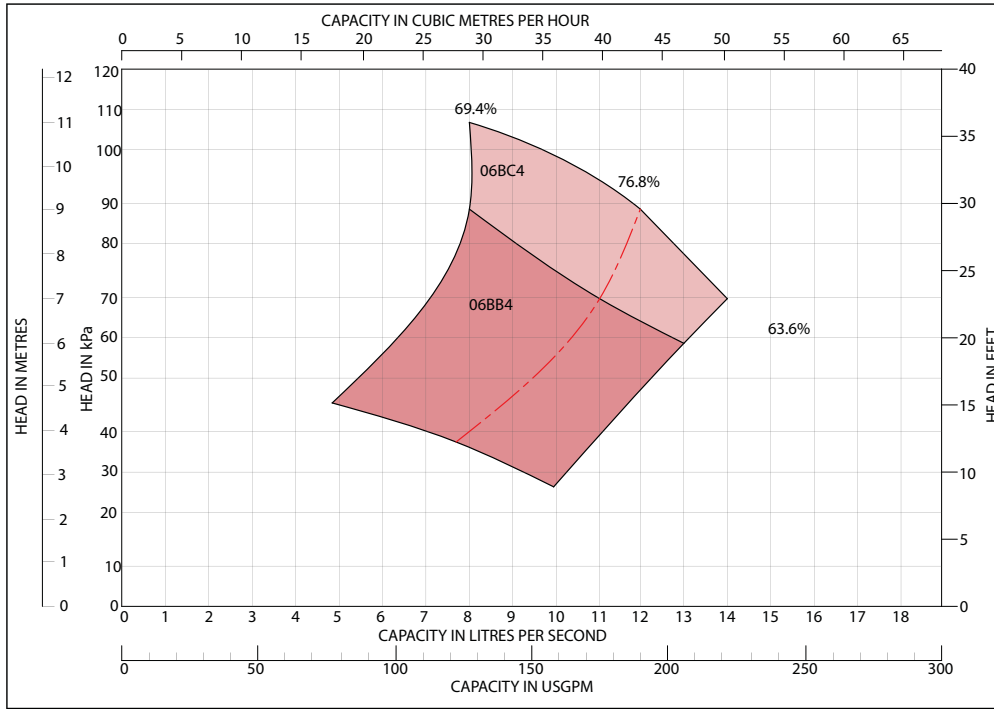
MATERIALS OF CONSTRUCTION		
DIN FLANGE RATING	<input type="checkbox"/> PN16 CAST IRON <input type="checkbox"/> PN25 Ductile Iron	
CONSTRUCTION	BF	DBF
CASING	CAST IRON	DUCTILE IRON
IMPELLER	BRONZE	BRONZE
FLUSH LINE	COPPER	COPPER
PUMP SHAFT	416 STAINLESS STEEL	
COUPLING	HIGH TENSILE ALUMINUM	
GASKET	CONFINED NON-ASBESTOS	

MAXIMUM PUMP OPERATING CONDITIONS	
PN16 Cast Iron	PN25 Ductile Iron
12 bars at 60°C (175 psig at 140°F) 7 bars at 149°C (100 psig at 300°F)	26 bars at 38°C (375 psig at 100°F) 19 bars at 260°C (275 psig at 500°F)
SEE FILE NO. 43.50 FOR MAXIMUM SEAL OPERATING CONDITIONS	

MECHANICAL SEAL DESIGN DATA
See File No. 43.50 for standard mechanical
Armstrong Seal Reference Number
<input type="checkbox"/> C1 (a) Other _____

SEAL DATA OPTIONS

OPTIONAL EQUIPMENT
SEE FILE NO. 43.50 FOR ENVIRONMENTAL ACCESSORIES



DIMENSION DATA - mm (inches)

Curve No.	Size	Power (kW)	C1	C2	D1	D2	B1	B2	T	SD	ODP motors with UL Type 12 drives			TEFC motors with UL Type 12 drives			Weight in lbs (Kg)	
											P	E	XY	P	E	XY	ODP	TEFC
06BA4	100-150	0.75	308 (12.13)	321 (12.63)	352 (13.84)	352 (13.84)	173 (6.81)	173 (6.81)	147 (5.80)	676 (26.63)	219 (8.63)	105 (4.12)	560 (22.03)	185 (7.28)	155 (6.09)	521 (20.53)	172.3 (380)	172.3 (380)
06BB4	100-150	1.1	308 (12.13)	321 (12.63)	352 (13.84)	352 (13.84)	173 (6.81)	173 (6.81)	147 (5.80)	676 (26.63)	219 (8.63)	105 (4.12)	560 (22.03)	185 (7.28)	155 (6.09)	521 (20.53)	172.3 (380)	172.3 (380)
06BC4	100-150	1.5	308 (12.13)	321 (12.63)	352 (13.84)	352 (13.84)	173 (6.81)	173 (6.81)	147 (5.80)	676 (26.63)	219 (8.63)	105 (4.12)	560 (22.03)	185 (7.28)	155 (6.09)	521 (20.53)	172.3 (380)	172.3 (380)

- COUPLING GUARD (NOT SHOWN) IS SUPPLIED.
- TOLERANCE OF $\pm 0.125^*$ (± 3 mm) SHOULD BE USED.
- FOR EXACT INSTALLATION DATA PLEASE WRITE FACTORY FOR CERTIFIED DIMENSIONS.
- PUMP EQUIPPED WITH CASING DRAIN PLUG AND 1/4" NPT SUCTION AND DISCHARGE GAUGE PORTS

S. A. Armstrong Limited
23 Bertrand Avenue
Toronto, Ontario
Canada, M1L 2P3
T: (416) 755-2291
F (Main): (416) 759-9101

Armstrong Pumps Inc.
93 East Avenue
North Tonawanda, New York
U.S.A. 14120-6594
T: (716) 693-8813
F: (716) 693-8970

Armstrong Holden Brooke Pullen
Wenlock Way
Manchester
United Kingdom, M12 5JL
T: +44 (0) 161 223 2223
F: +44 (0) 161 220 9660

