

## DESIGN ENVELOPE DEPM IVS 4300 VIL | 0507-050.0 | SUBMITTAL

**File No:** 100.5187  
**Date:** FEBRUARY 08, 2024  
**Supersedes:** NEW  
**Date:** NEW

Job: \_\_\_\_\_ Representative: \_\_\_\_\_  
 \_\_\_\_\_ Order No: \_\_\_\_\_ Date: \_\_\_\_\_  
 Engineer: \_\_\_\_\_ Submitted by: \_\_\_\_\_ Date: \_\_\_\_\_  
 Contractor: \_\_\_\_\_ Approved by: \_\_\_\_\_ Date: \_\_\_\_\_

### PUMP DESIGN DATA

No. of pumps: \_\_\_\_\_ Tag: \_\_\_\_\_  
 Capacity: \_\_\_\_\_ USgpm (L/s) Head: \_\_\_\_\_ ft (m)  
 Liquid: \_\_\_\_\_ Viscosity: \_\_\_\_\_  
 Temperature: \_\_\_\_\_ °F (°C) Specific gravity: \_\_\_\_\_  
 Suction: 5" (125mm) Discharge: 5" (125mm)

**UL STD 778 & CSA STD C22.2 NO.108 certified**

**Test report is supplied with each pump**

### MATERIALS OF CONSTRUCTION

- ANSI 125**  
**CONSTRUCTION: SF**  
 E-coated cast iron, 316 stainless steel fitted  
 Upgrade impeller to duplex stainless steel fitted (DF)
- ANSI 250**  
**CONSTRUCTION: DSF**  
 E-coated ductile iron, 316 stainless steel fitted  
 Upgrade impeller to duplex stainless steel fitted (DDF)

### MAXIMUM PUMP OPERATING CONDITIONS

- ANSI 125**  
 175 psig at 150°F (12 bar at 65°C)  
 100 psig at 300°F (7 bar at 150°C)
- ANSI 250**  
 375 psig at 150°F (26 bar at 65°C)  
 260 psig at 300°F (21 bar at 150°C)

### MECHANICAL SEAL DESIGN DATA

See file no. 43.50 for standard mechanical seal details as indicated below

Armstrong seal reference number  
 c1 (a)     Others: \_\_\_\_\_

### DEPMH MOTOR AND CONTROLS DATA

**HP:** 50  
**Motor enclosure:** TEFC  
**Volts:** \_\_\_\_\_  
**Phase:** 3  
**Efficiency:** IE5  
**Orientation:**  L1 (default)    L2    L3    L4  
**Protocol (standard):**  BACnet™ MS/TP    BACnet™ TCP/IP  
 Modbus RTU  
**Enclosure:**  Indoor - UL TYPE 12  
 Outdoor - UL TYPE 4X with Weather Shield  
**Touchscreen cover:**  Option for Indoor units  
**Fused disconnect switch:**   
**EMI/RFI control:** Integrated filter designed to meet EN61800-3  
**Harmonic suppression:** Dual dc-link reactors (Equivalent: 5% AC line reactor) Supporting IEEE 519-1992 requirements\*\*  
**Cooling:** Fan-cooled through back channel  
**Ambient temperature:** -10°C to +45°C up to 1000 meters above sea level (+14°F to +113°F, 3300 ft)  
**Analog i/o:** Two current or voltage inputs, one speed output  
**Digital i/o:** Two inputs, two outputs  
**Pulse inputs:** Two programmable  
**Relay outputs:** Two programmable  
**Communication port:** 1-RS485

\*\*The Ivs drive is a low harmonic drive via built-in dc line reactors. This does not guaranty performance to any system wide harmonic specification or the costs to meet a system wide specification. If supplied with the system electrical details, Armstrong will run a computer simulation of the system wide harmonics. If system harmonic levels are exceeded Armstrong can also recommend additional harmonic mitigation and the costs for such mitigation.

### FLOW READOUT ACCURACY

The Design Envelope model selected will provide flow reading on the controls local keypad & digitally for the VMS and Pump Manager. The model readout will be factory tested to ensure ±5% accuracy.

## OPTIONS

### SENSORLESS BUNDLE (STANDARD)



Operation of pump without a remote sensor. Includes:

- Sensorless control
- Flow readout
- Constant flow
- Constant pressure

Minimum system pressure to be maintained \_\_\_\_\_ ft (m)

\* If minimum maintained system pressure is not known: Default to 40% of design head

### □ PARALLEL SENSORLESS



Operation of multiple pumps without a remote sensor

Minimum system pressure to be maintained \_\_\_\_\_ ft (m)

\* If minimum maintained system pressure is not known: Default to 40% of design head

### □ ENERGY PERFORMANCE BUNDLE



Provides energy savings on oversized systems by adjusting pump parameters to on-site conditions. Includes:

- **Auto-flow balancing** – Automatically determines control curve between design flow at on-site system head, and minimum (zero-head) flow for energy savings
- **Maximum flow control** – Limits flow rate to pre-set maximum for potential energy savings

Maximum flow rate \_\_\_\_\_ gpm (L/s)

\*Only available if sensorless bundle is enabled

### □ PROTECTION BUNDLE



Protects other flow sensitive equipment by setting limits of pump operation. Includes:

- **Minimum flow control** – Attempts to maintain flow rate to pre-set minimum to protect equipment in system
- **Bypass valve control** – Actuates a bypass valve to protect flow sensitive equipment if pre-set minimum flow rate is reached

Minimum flow rate \_\_\_\_\_ gpm (L/s)

\*Only available if sensorless bundle is enabled

### □ ZONE OPTIMIZATION BUNDLE



Controls pumps to ensure multiple zones are satisfied for heating or cooling

- **2 sensor control** – Controls pumps in a 2-zone application to ensure both zones are always satisfied for heating or cooling

### □ DUAL SEASON SETUP



Pre-sets heating and cooling parameters for pumps in 2-pipe systems

#### Cooling

Duty point \_\_\_\_\_ gpm (L/s) at \_\_\_\_\_ ft (m)

Minimum system pressure to be maintained \_\_\_\_\_ ft (m)

#### Heating

Duty point \_\_\_\_\_ gpm (L/s) at \_\_\_\_\_ ft (m)

Minimum system pressure to be maintained \_\_\_\_\_ ft (m)

## OPTIONAL SERVICES

### ON-SITE PUMP COMMISSIONING



When purchased and applicable, onsite commissioning by an Armstrong representative will include setting up communication with the Pump (not wiring to BAS), adjusting parameters to match on-site conditions, register the pumps for enhanced warranty and connect the pumps to the router as part of the activation of Pump Manager.

### PUMP MANAGER

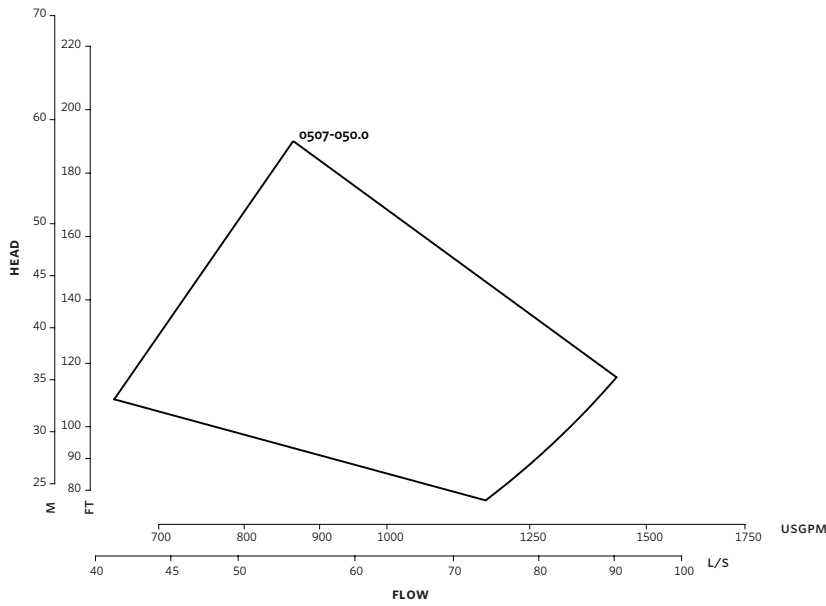


As a Performance Management Service, Pump Manager is an online automated fault detection and diagnostic service for sustained performance and enhanced reliability. It includes advanced trending, alerts of variance in performance and automated reports.

Available in yearly increments. Includes an option for a price discount on the Extended Warranty Service.

\*The Service requires an active internet connection.

**PERFORMANCE CURVES**



Performance curves are for reference only.  
Confirm current performance data with Armstrong ADEPT Quote or ADEPT Select selection software.

**DIMENSION DATA**

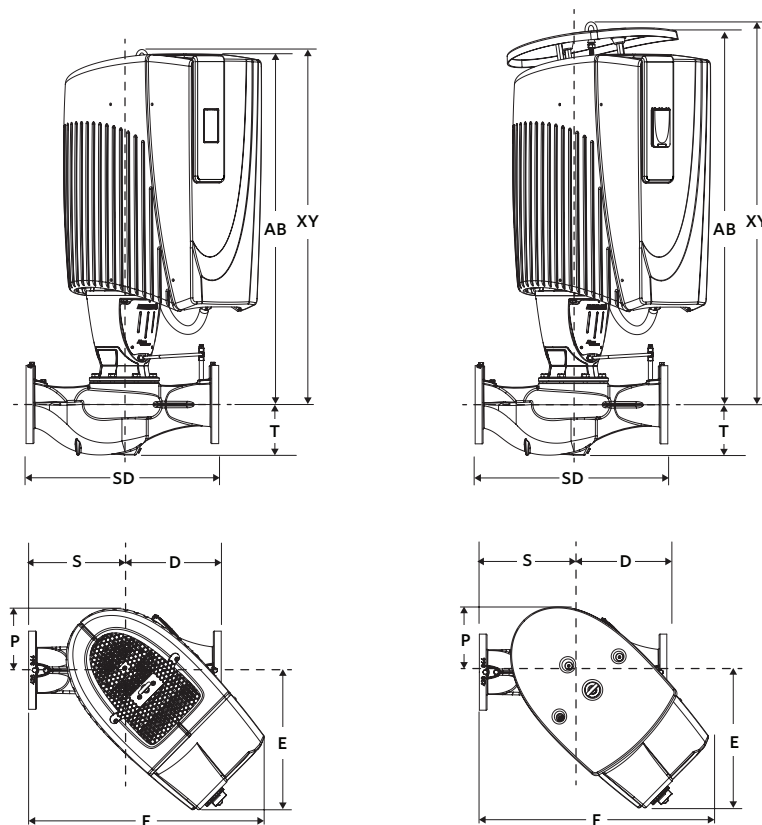
	INDOOR (UL TYPE 12/TEFC)	OUTDOOR (UL TYPE 4X/TEFC)
<b>Size:</b>	5×5×7.5	5×5×7.5
<b>HP:</b>	50	50
<b>AB:</b>	44.02 (1118)	48.03 (1220)
<b>D:</b>	12.28 (312)	12.28 (312)
<b>E:</b>	17.87 (454)	17.87 (454)
<b>F:</b>	30.00 (762)	30.00 (762)
<b>P:</b>	11.42 (290)	11.42 (290)
<b>S:</b>	12.76 (324)	12.76 (324)
<b>SD:</b>	25.00 (635)	25.00 (635)
<b>T:</b>	7.52 (191)	7.52 (191)
<b>XY:</b>	48.46 (1231)	48.46 (1231)
<b>Weight:</b>	606 (275.1)	609 (276.4)

Dimensions - inch (mm)  
Weight - lbs (kg)

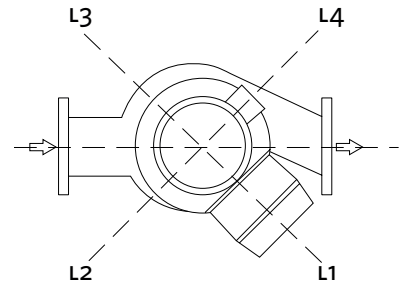
- Tolerance of ±0.125" (±3 mm) should be used
- For exact installation, data please write factory for certified dimensions

**INDOOR**

**OUTDOOR**



**CONTROL ORIENTATIONS**



**TORONTO**

23 BERTRAND AVENUE,  
TORONTO, ONTARIO,  
CANADA, M1L 2P3  
+1 416 755 2291

**BUFFALO**

93 EAST AVENUE, NORTH  
TONAWANDA, NEW YORK,  
USA, 14120-6594  
+1 716 693 8813

**DROITWICH SPA**

POINTON WAY, STONEBRIDGE CROSS  
BUSINESS PARK, DROITWICH SPA,  
WORCESTERSHIRE,  
UNITED KINGDOM, WR9 0LW  
+44 121 550 5333

**MANCHESTER**

WOLVERTON STREET, MANCHESTER  
UNITED KINGDOM, M11 2ET  
+44 161 223 2223

**BANGALORE**

#18, LEWIS WORKSPACE, 3<sup>RD</sup> FLOOR,  
OFF MILLERS - NANDIDURGA ROAD,  
JAYAMAHAL CBD, BENSON TOWN,  
BANGALORE, INDIA 560 046  
+91 80 4906 3555

**SHANGHAI**

UNIT 903, 888 NORTH SICHUAN RD.  
HONGKOU DISTRICT, SHANGHAI  
CHINA, 200085  
+86 21 5237 0909

**BEIJING**

ROOM 1612, NANYIN BUILDING NO.2  
NORTH EAST THRID RING ROAD  
CHAOYANG DISTRICT, BEIJING,  
CHINA 100027  
+86 21 5237 0909

**SÃO PAULO**

RUA JOSÉ SEMIÃO RODRIGUES  
AGOSTINHO, 1370 GALPÃO 6 EMBU  
DAS ARTES, SAO PAULO, BRAZIL  
+55 11 4785 1330

**LYON**

93 RUE DE LA VILLETTE  
LYON, 69003 FRANCE  
+33 4 26 83 78 74

**DUBAI**

JAFZA VIEW 19, OFFICE 402  
P.O. BOX 18226 JAFZA,  
DUBAI - UNITED ARAB EMIRATES  
+971 4 887 6775

**JIMBOLIA**

STR CALEA MOTILOR NR. 2C  
JIMBOLIA 305400, JUD.TIMIS  
ROMANIA  
+40 256 360 030

**FRANKFURT**

WESTERBACHSTRASSE 32,  
D-61476 KRONBERG IM TAUNUS  
GERMANY  
+49 6173 999 77 55

**ARMSTRONG FLUID TECHNOLOGY®**  
ESTABLISHED 1934

**ARMSTRONGFLUIDTECHNOLOGY.COM**