

# ARMSTRONG®

## Series 4200V Split-Coupled Vertical End Suction

# 3 x 2 x 10

# SUBMITTAL

FILE NO:	81.567
DATE:	Aug. 29, 2003
SUPERSEDES:	New
DATE:	New

JOB: _____	REPRESENTATIVE: _____
ENGINEER: _____	ORDER NO: _____ DATE: _____
CONTRACTOR: _____	SUBMITTED BY: _____ DATE: _____
	APPROVED BY: _____ DATE: _____

PUMP DESIGN DATA			
NO. OF PUMPS:			
TAG:			
CAPACITY:	USgpm (L/s)	HEAD:	ft. (m)
LIQUID:	VISCOSITY:		
TEMPERATURE:	SPECIFIC GRAVITY:		

MOTOR DESIGN DATA			
HP:			RPM: 1800
FRAME SIZE:	ENCLOSURE:		
VOLTS:	HERTZ: 60 Hz	PHASE:	
EFFICIENCY:	<input type="checkbox"/> EPAct / NRcan	<input type="checkbox"/> PREMIUM	LEVEL: %
FLANGE SIZE:	SUCTION: 3" (75 mm)	DISCHARGE: 2" (50 mm)	

MATERIALS OF CONSTRUCTION	
ANSI Flange Rating	125 lb. Cast Iron
Construction	Bronze-Fitted
Casing	Cast Iron
Impeller	Bronze
Flush Line	Copper
Pump Shaft	416 Stainless Steel
Coupling	High Tensile Aluminum
Gasket	Confined Non-Asbestos

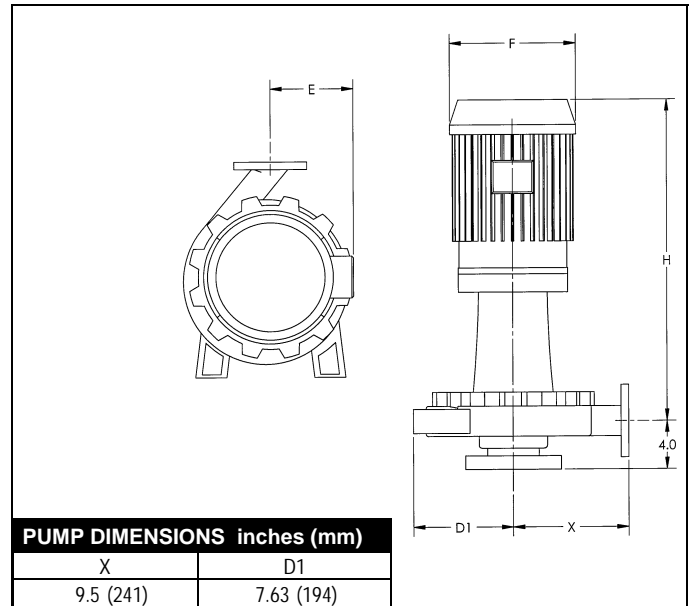
MECHANICAL SEAL DESIGN DATA
See File No. 43.50 for standard mechanical seal details as indicated below
Armstrong Seal Reference Number
<input type="checkbox"/> C1 (a) Other _____

SEAL DATA OPTIONS

MAX. PUMP OPERATING CONDITIONS	
125 lb. Cast Iron	175 psig at 140°F (12 bars at 60°C) 100 psig at 300°F (7 bars at 149°C)
SEE FILE NO. 43.50 FOR MAXIMUM SEAL OPERATING CONDITIONS	

OPTIONAL EQUIPMENT
SEE FILE NO. 43.50 FOR ENVIRONMENTAL ACCESSORIES

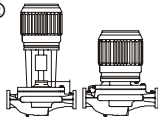
- COUPLING GUARD (NOT SHOWN) IS SUPPLIED.
- TOLERANCE OF ±0.125" (±3 mm) SHOULD BE USED.
- FOR EXACT INSTALLATION DATA PLEASE WRITE FACTORY FOR CERTIFIED DIMENSIONS.
- SEE PERFORMANCE CURVES ON PAGE 2.
- PUMP EQUIPPED WITH CASING DRAIN PLUG AND 1/4" NPT SUCTION AND DISCHARGE GAUGE PORTS



MOTOR HORSEPOWER			MAX. MOTOR DIMENSIONS inches (mm)						ASSEMBLY WEIGHT*	
ODP	TEFC	Frame	E		F		H		lbs. (kg)	
			ODP	TEFC	ODP	TEFC	ODP	TEFC	ODP	TEFC
1800	1800									
5	5	184	7.00 (178)	7.00 (178)	9.50 (241)	9.50 (241)	27.63 (702)	28.63 (727)	230 (104)	250 (114)
7.5	7.5	213	9.38 (238)	10.00 (254)	10.88 (276)	12.00 (305)	29.25 (749)	36.63 (930)	240 (109)	285 (129)
10	10	215	9.38 (238)	10.00 (254)	10.88 (276)	12.00 (305)	29.25 (749)	36.63 (930)	270 (123)	300 (136)

\*Assembly weight combines pump and motor.

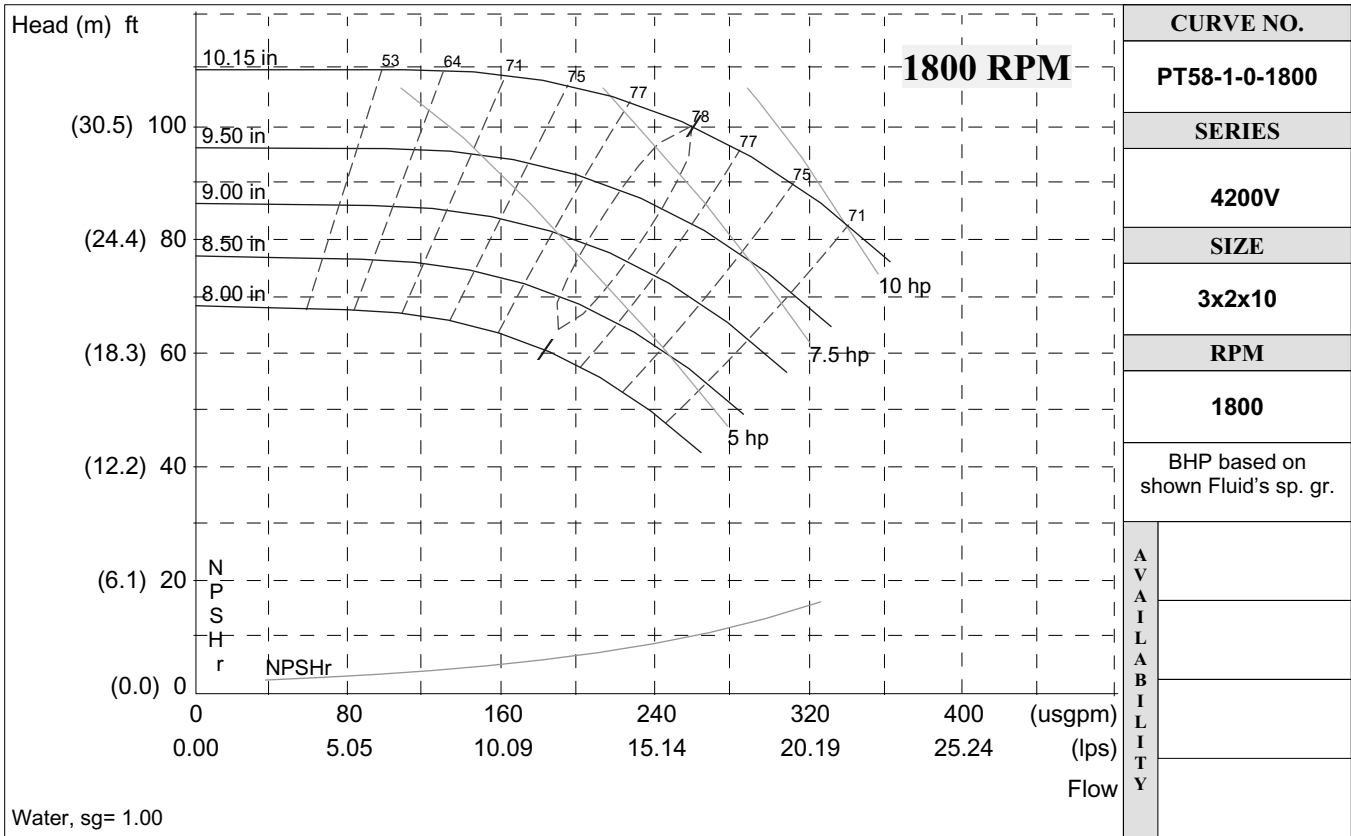
# ARMSTRONG®



## PERFORMANCE CURVES

Performance Guaranteed Only At Operating Point Indicated

CURVE SHOWN FOR CLEAR, COLD WATER - SP. GR. 1.0



<b>CURVE NO.</b>	<b>PT58-1-0-1800</b>
<b>SERIES</b>	<b>4200V</b>
<b>SIZE</b>	<b>3x2x10</b>
<b>RPM</b>	<b>1800</b>
BHP based on shown Fluid's sp. gr.	
<b>A V A I L A B I L I T Y</b>	

Armstrong Pumps Inc.  
93 East Avenue  
North Tonawanda, New York  
U.S.A. 14120-6594  
Tel: (716) 693-8813  
Fax: (716) 693-8970  
www.armstrongpumps.com

S.A. Armstrong Limited  
23 Bertrand Avenue  
Toronto, Ontario  
Canada, M1L 2P3  
Tel: (416) 755-2291  
Fax: (416) 759-9101



© S.A. Armstrong Limited 2003

Armstrong Pumps Limited  
Peartree Road, Stanway  
Colchester, Essex  
United Kingdom, CO3 0LP  
Tel: +44 (0) 1206 579491  
Fax: +44 (0) 1206 760532

Armstrong Darling  
9001 De L'Innovation, Suite 200  
Montreal, Quebec  
Canada, H1J 2X9  
Tel: (514) 352-2424  
Fax: (514) 352-2425

