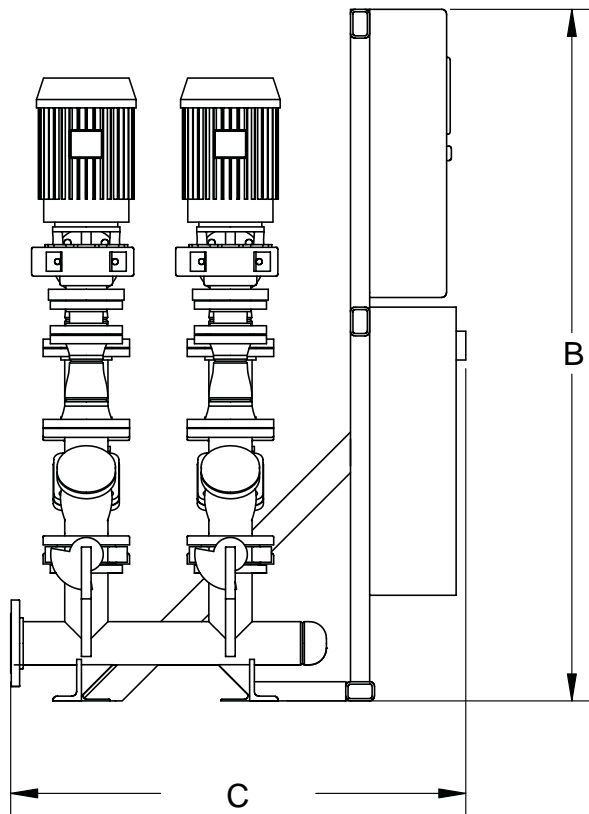
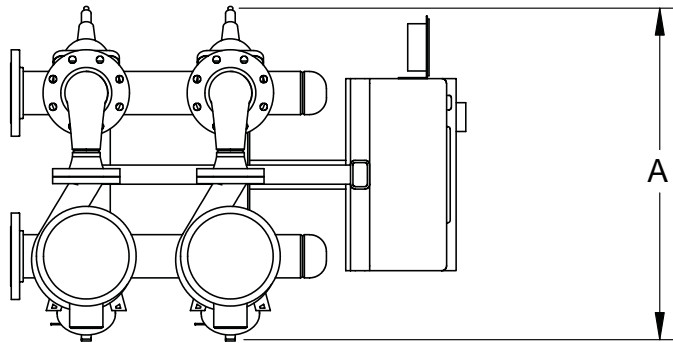
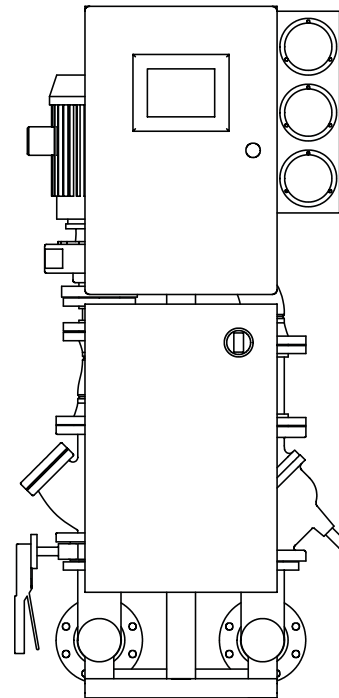


## ARMPak 4 - 4280V Variable Speed

## SUBMITTAL



NOTE:  
SYSTEM SHOWN WITH  
OPTIONAL TOUCH SCREEN



| DIMENSIONS inches (mm) |                 |                 |
|------------------------|-----------------|-----------------|
| A (max.)               | B               | C (max.)        |
| 37.50<br>(952)         | 72.00<br>(1829) | 48.00<br>(1219) |

|               |                                 |                |
|---------------|---------------------------------|----------------|
| PROJECT:      | DATE:                           |                |
| ORDER NO.:    | DWG #:<br>ARMPak 4 DS 8 VS 0310 | DATE: 07/05/03 |
| CERTIFIED BY: |                                 | REVISED:       |

Armstrong Pumps Inc.  
93 East Avenue  
North Tonawanda, New York  
U.S.A. 14120-6594  
Tel: (716) 693-8813  
Fax: (716) 693-8970

S.A. Armstrong Limited  
23 Bertrand Avenue  
Toronto, Ontario  
Canada, M1L 2P3  
Tel: (416) 755-2291  
Fax: (416) 759-9101



© S.A. Armstrong Limited 2003

Armstrong Pumps Limited  
Peartree Road, Stanway  
Colchester, Essex  
United Kingdom, CO3 0LP  
Tel: +44 (0) 1206 579491  
Fax: +44 (0) 1206 760532

Armstrong Darling  
9001 De L'Innovation, Suite 200  
Montreal, Quebec  
Canada, H1J 2X9  
Tel: (514) 352-2424  
Fax: (514) 352-2425

