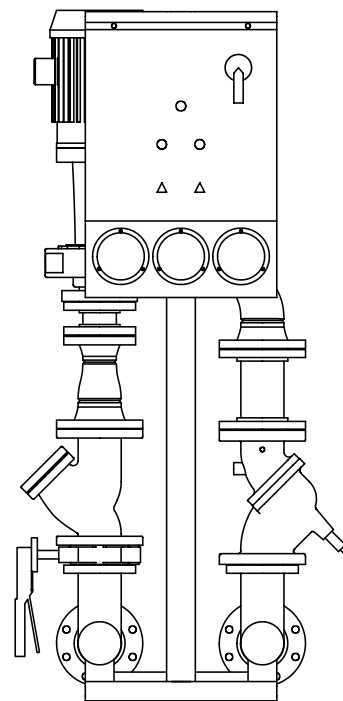
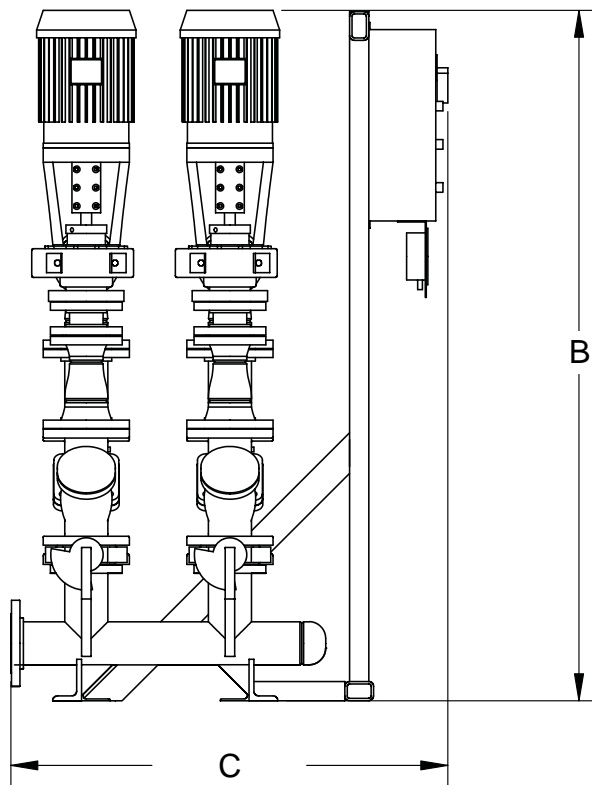
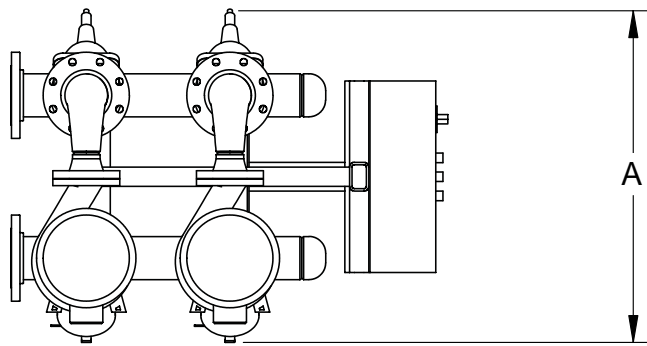


ARMPak 4 - 4200V Fixed Speed

SUBMITTAL



MAX. DIMENSIONS inches (mm)		
A	B	C
37.50 (952)	83.00 (2108)	46.00 (1168)

PROJECT:

DATE:

ORDER NO.:

DWG #:

DATE: 07/05/03

CERTIFIED BY:

ARMPak 4 DS 0 FS 0310

REVISED:

Armstrong Pumps Inc.
93 East Avenue
North Tonawanda, New York
U.S.A. 14120-6594
Tel: (716) 693-8813
Fax: (716) 693-8970

S.A. Armstrong Limited
23 Bertrand Avenue
Toronto, Ontario
Canada, M1L 2P3
Tel: (416) 755-2291
Fax: (416) 759-9101



© S.A. Armstrong Limited 2003

Armstrong Pumps Limited
Peartree Road, Stanway
Colchester, Essex
United Kingdom, CO3 0LP
Tel: +44 (0) 1206 579491
Fax: +44 (0) 1206 760532

Armstrong Darling
9001 De L'Innovation, Suite 200
Montreal, Quebec
Canada, H1J 2X9
Tel: (514) 352-2424
Fax: (514) 352-2425

