

# AGE3D CIRCULATOR | TWIN HEAD VARIABLE SPEED | 65-80 | SUBMITTAL

File No: 10.8600IEC  
Date: MAY 10, 2017  
Supersedes: NEW  
Date: NEW

Job: \_\_\_\_\_ Representative: \_\_\_\_\_  
 \_\_\_\_\_ Ordered by: \_\_\_\_\_ Date: \_\_\_\_\_  
 Engineer: \_\_\_\_\_ Submitted by: \_\_\_\_\_ Date: \_\_\_\_\_  
 Contractor: \_\_\_\_\_ Approved by: \_\_\_\_\_ Date: \_\_\_\_\_

## PUMP DETAILS

TAG	MODEL	FLOW	HEAD	SYSTEM	LOCATION

### MOTOR DESIGN DATA

**Motor enclosure:** IP44  
**Power supply:** 230/1/50  
**Insulation class:** F  
**Motor efficiency:**  $EEI \leq 0.22$   
**Inverter/motor type:** ECM/Permanent magnet  
**Motor speed:** Variable speed

### ELECTRICAL DATA

1x230,50HZ, IEC38	P1[W]	I [AMPS]
Auto min.	25	2.6
Auto max.	560	3.8

### ELECTRICAL CONNECTION

**Type:** 3 wires (L,N,Earth)  
**Connector:** 3 pins connector & cable gland

### BMS CONNECTIVITY

**Input /output:** 1 x analogue I/O, 1 x digital I/O and 1 x relay  
**Serial communication:** Modbus RTU and Ethernet

### MATERIALS OF CONSTRUCTION

**Impeller:** PES  
**Casing gasket:** EPDM 70 Shore  
**Bearings:** Grafit  
**Pump casing:** Cast iron  
**Shaft:** Stainless steel  
**Can:** Stainless steel

### MECHANICAL CONNECTION

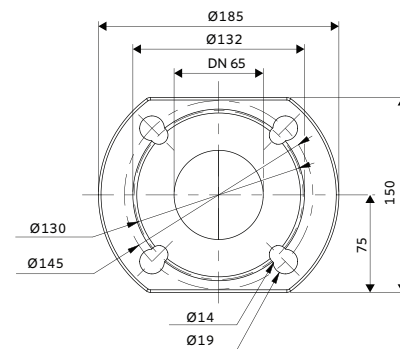
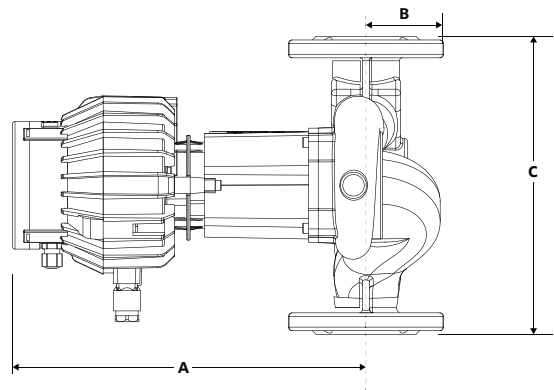
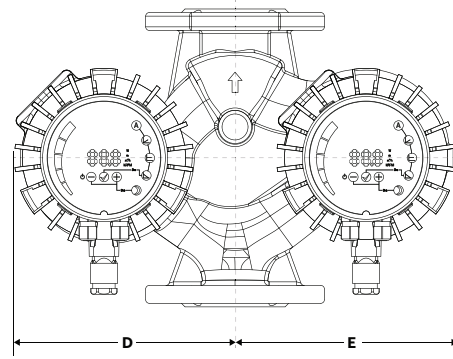
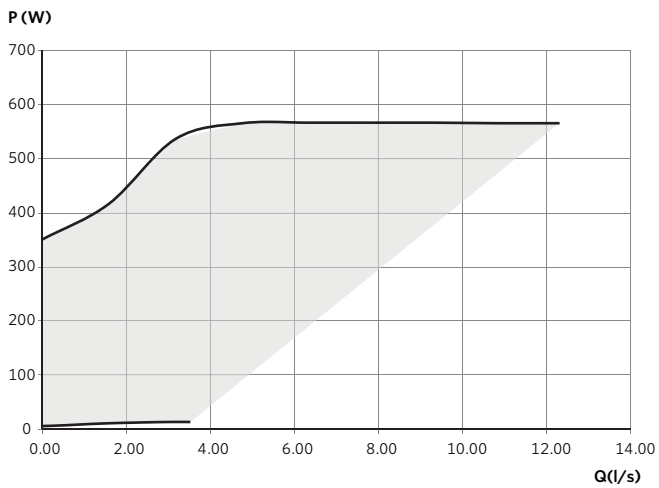
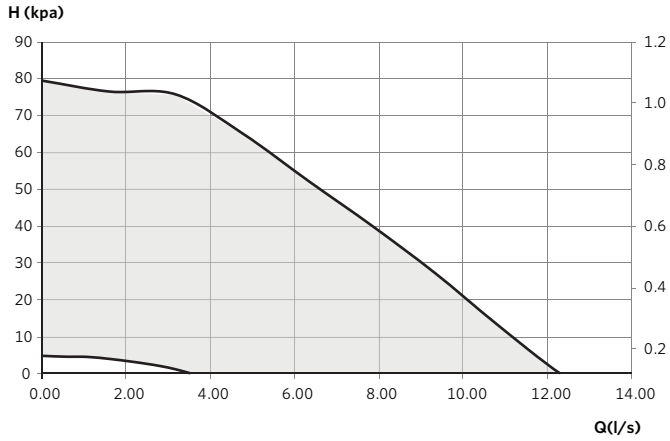
**Type:** Flanged  
**Pressure rating:** PN10  
**Size:** DN65

### ENVIRONMENT LIMIT DATA

**Water temp max:** 110°C  
**Water temp min :** 2°C  
**Ambient temp. max:** 40°C  
**Min. pressure:** 0.05 BAR < 75°C,  
 0.28 BAR < 90°C

**DIMENSIONS**

A	B	C	D	E	WEIGHT
mm (inches)					kg (lbs)
343 (13.5)	75 (3.0)	340 (13.4)	216 (8.5)	226 (8.9)	28 (61.7)



TORONTO  
+1 416 755 2291

BUFFALO  
+1 716 693 8813

BIRMINGHAM  
+44 (0) 8444 145 145

MANCHESTER  
+44 (0) 8444 145 145

BANGALORE  
+91 (0) 80 4906 3555

SHANGHAI  
+86 21 3756 6696

SÃO PAULO  
+55 11 4781 5500