

AGE3 CIRCULATOR | SINGLE-HEAD VARIABLE SPEED | 65-120 | SUBMITTAL

File No: 10.8572IEC
Date: MAY 10, 2017
Supersedes: NEW
Date: NEW

Job: _____ Representative: _____

Ordered by: _____ Date: _____

Engineer: _____ Submitted by: _____ Date: _____

Contractor: _____ Approved by: _____ Date: _____

PUMP DETAILS

TAG	MODEL	FLOW	HEAD	SYSTEM	LOCATION

MOTOR DESIGN DATA

Motor enclosure: IP44
Power supply: 230/1/50
Insulation class: F
Motor efficiency: $EEI \leq 0.23$
Inverter/motor type: ECM/Permanent magnet
Motor speed: Variable speed

ELECTRICAL DATA

1x230,50HZ, IEC38	P1[W]	I [AMPS]
Auto min.	38	3
Auto max.	1100	4.8

ELECTRICAL CONNECTION

Type: 3 wires (L,N,Earth)
Connector: 3 pins connector & cable gland

BMS CONNECTIVITY

Input /output: 1 x analogue I/O, 1 x digital I/O and 1 x relay
Serial communication: Modbus RTU and Ethernet

MATERIALS OF CONSTRUCTION

Impeller: PES
Casing gasket: EPDM 70 Shore
Bearings: Grafit
Pump casing: Cast iron
Shaft: Stainless steel
Can: Stainless steel

MECHANICAL CONNECTION

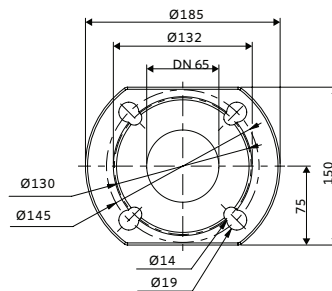
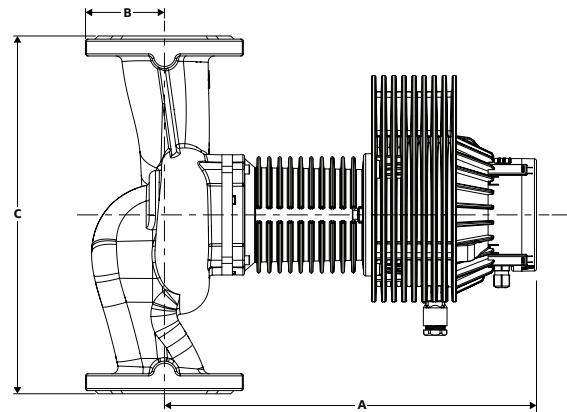
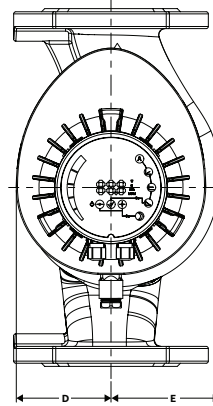
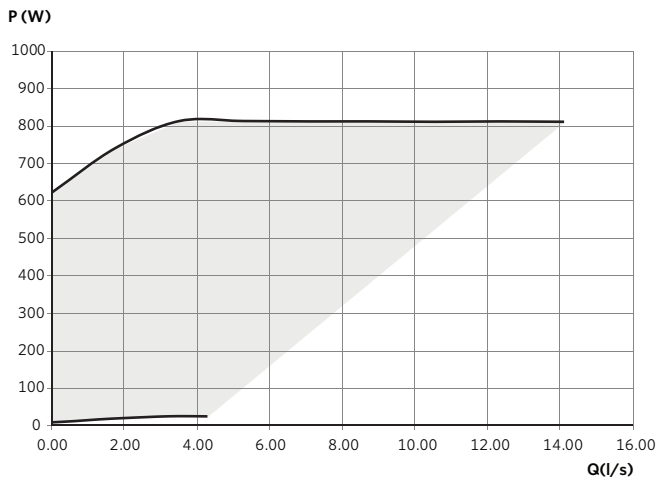
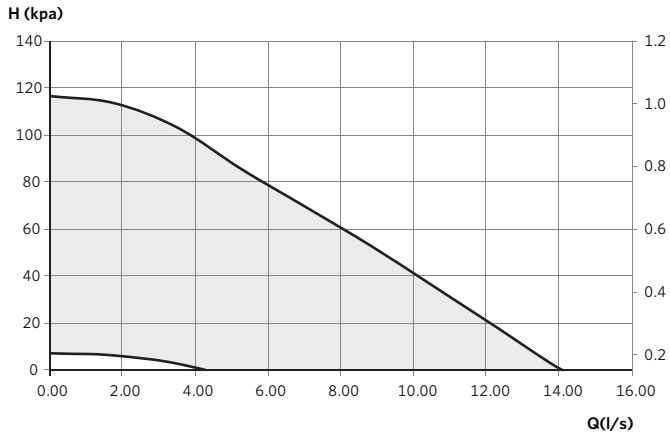
Type: Flanged
Pressure rating: PN10
Size: DN65

ENVIRONMENT LIMIT DATA

Water temp max: 110 °C
Water temp min : 2 °C
Ambient temp. max: 40 °C
Min. pressure: 0.05 BAR < 50 °C,
0.8 BAR < 80 °C,
1.4 BAR < 110 °C

DIMENSIONS

A	B	C	D	E	WEIGHT
mm (inches)					kg (lbs)
354 (13.9)	75 (2.9)	340 (13.4)	90 (3.5)	103 (4.1)	34.0 (75.0)



TORONTO
+1 416 755 2291

BUFFALO
+1 716 693 8813

BIRMINGHAM
+44 (0) 8444 145 145

MANCHESTER
+44 (0) 8444 145 145

BANGALORE
+91 (0) 80 4906 3555

SHANGHAI
+86 21 3756 6696

SÃO PAULO
+55 11 4781 5500