

AG3 CIRCULATOR | SINGLE-HEAD MULTI SPEED | 40-120Z | SUBMITTAL

File No: 10.8518IEC
Date: MAY 10, 2017
Supersedes: NEW
Date: NEW

Job: _____ Representative: _____

Ordered by: _____ Date: _____

Engineer: _____ Submitted by: _____ Date: _____

Contractor: _____ Approved by: _____ Date: _____

PUMP DETAILS

TAG	MODEL	FLOW	HEAD	SYSTEM	LOCATION

MOTOR DESIGN DATA

Motor enclosure: IP44
Power supply: 400/3/50
Insulation class: Class 200
Motor efficiency: $EEI \leq 0.22$
Inverter/motor type: Asynchronous motor
Motor speed: Multi speed

ELECTRICAL DATA

3×400,50HZ, IEC38	P1[W]	I [AMPS]
Auto min.	200	0.35
Auto max.	578	1.16

ELECTRICAL CONNECTION

Type: 4 wires (L1, L2,L3,Earth)
Connector: 4 pins connector & cable gland

MATERIALS OF CONSTRUCTION

Impeller: Noryl
Casing gasket: EPDM 70 Shore
Bearings: Grafit/Ceramics
Pump casing: Bronze
Shaft: Stainless steel/Ceramics
Can: Stainless steel

MECHANICAL CONNECTION

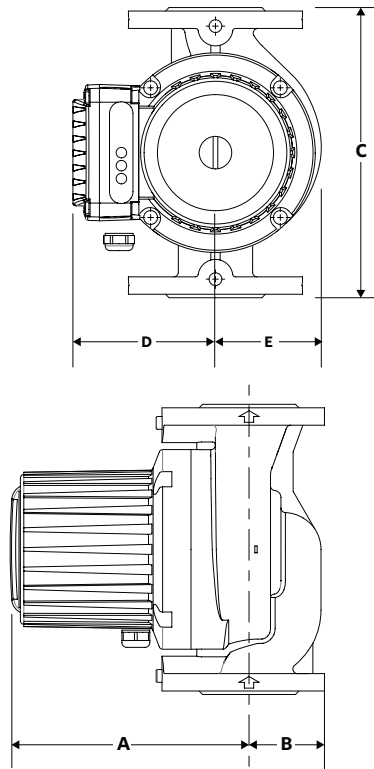
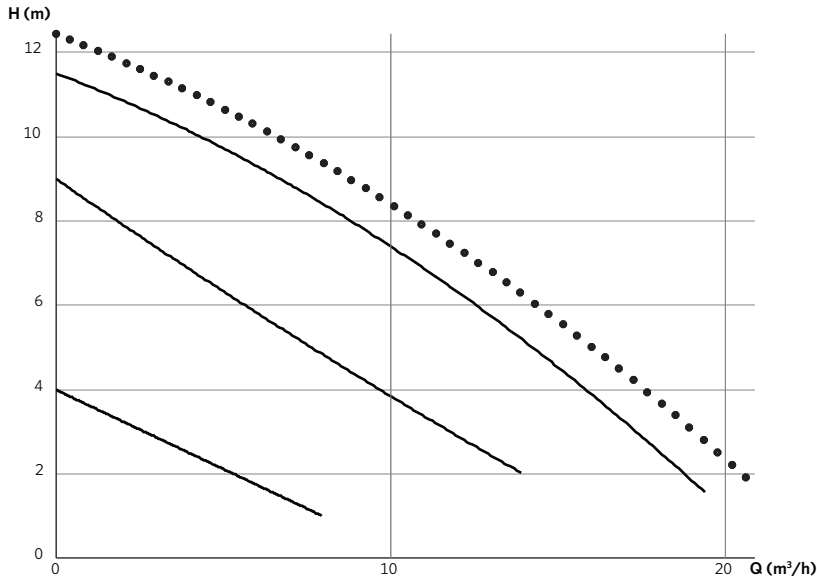
Type: Flanged
Pressure rating: PN10
Size: DN40

ENVIRONMENT LIMIT DATA

Water temp max: 110°C
Water temp min : 2°C
Ambient temp. max: 40°C
Min. pressure: 0.05 BAR < 75°C,
0.28 BAR < 90°C

DIMENSIONS

A	B	C	D	E	WEIGHT
mm (inches)					kg (lbs)
198 (7.8)	65 (2.5)	250 (9.8)	125 (4.9)	92 (3.6)	22.0 (48.5)



TORONTO
 +1 416 755 2291

BUFFALO
 +1 716 693 8813

BIRMINGHAM
 +44 (0) 8444 145 145

MANCHESTER
 +44 (0) 8444 145 145

BANGALORE
 +91 (0) 80 4906 3555

SHANGHAI
 +86 21 3756 6696

SÃO PAULO
 +55 11 4781 5500