

## SERIES 4700 VERTICAL MULTI-STAGE PUMP VMS 03 | SUBMITTAL

File No: 47.503  
Date: NOVEMBER 28, 2014  
Supersedes: 47.503  
Date: APRIL 07, 2011

Job: \_\_\_\_\_ Representative: \_\_\_\_\_

Ordered by: \_\_\_\_\_ Date: \_\_\_\_\_

Engineer: \_\_\_\_\_ Submitted by: \_\_\_\_\_ Date: \_\_\_\_\_

Contractor: \_\_\_\_\_ Approved by: \_\_\_\_\_ Date: \_\_\_\_\_

### PUMP DESIGN DATA

No. of pumps: \_\_\_\_\_ Tag: \_\_\_\_\_  
Capacity: \_\_\_\_\_ USgpm (L/s) Head: \_\_\_\_\_ ft (m)  
Liquid: \_\_\_\_\_ Viscosity: \_\_\_\_\_  
Temperature: \_\_\_\_\_ °F (°C) Specific gravity: \_\_\_\_\_  
Suction: 1.25" (32mm) Discharge: 1.25" (32mm)  
Maximum working temperature: 250°F (120°C)

### MATERIALS OF CONSTRUCTION

**Flange rating:** ANSI 250  
**Pump casing:** EN 1.4301 (AISI 304)  
**Impellers:** EN 1.4301 (AISI 304)  
**Stage casing:** EN 1.4301 (AISI 304)  
**Diffusers:** EN 1.4301 (AISI 304)  
**Pump shaft:** EN 1.4401 (AISI 316)  
**Jacket tube:** EN 1.4301 (AISI 304)  
**Intermediate bearing:** Tungsten carbide  
**O rings:** FPM  
**Motor pedestal:** Cast iron EN-GJL-200-EN 1561  
**Pump base:** Cast iron EN-GJL-200-EN 1561  
**Mechanical seal faces:** Silicon carbide/Carbon/FPM

### MOTOR DESIGN DATA

HP: \_\_\_\_\_ RPM: 3600 Frame size: \_\_\_\_\_  
Enclosure:  ODP  TEFC Volts: \_\_\_\_\_  
Hertz: 60 Hz Phase:  1  3  
Efficiency\*:  NEMA premium 12.12  Other: \_\_\_\_\_%

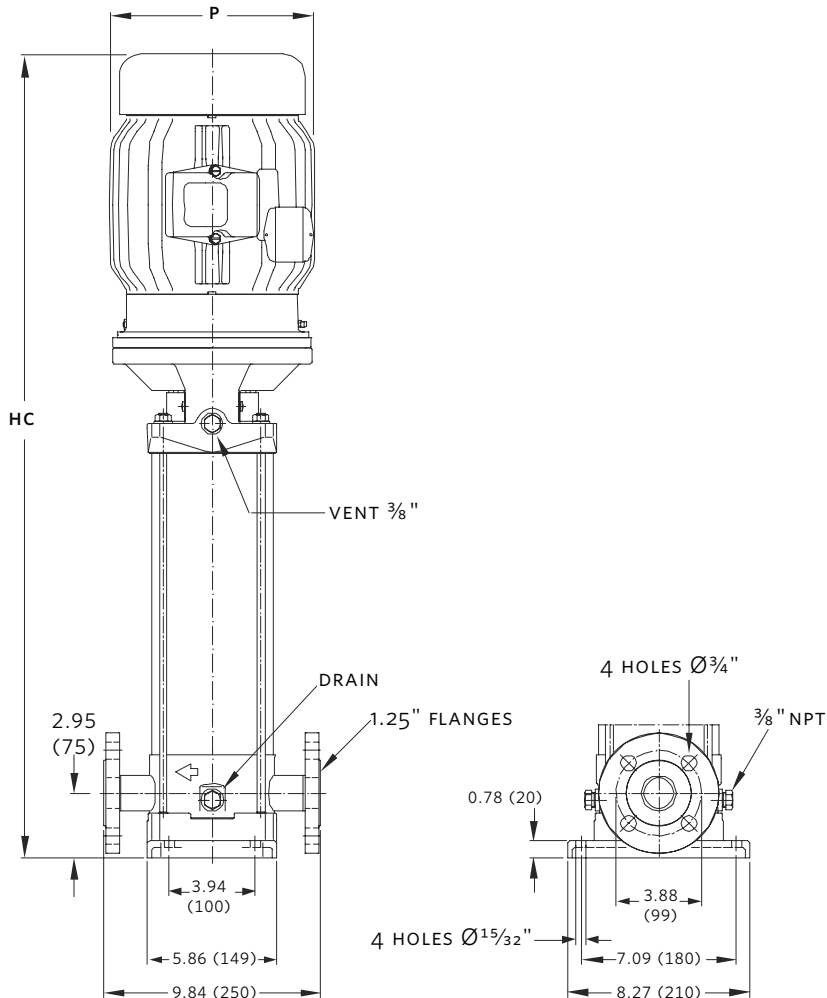
\*Fractional power, frame 56 & 1-phase motors are supplied with the standard efficiency of the Manufacturer.

### REMARKS

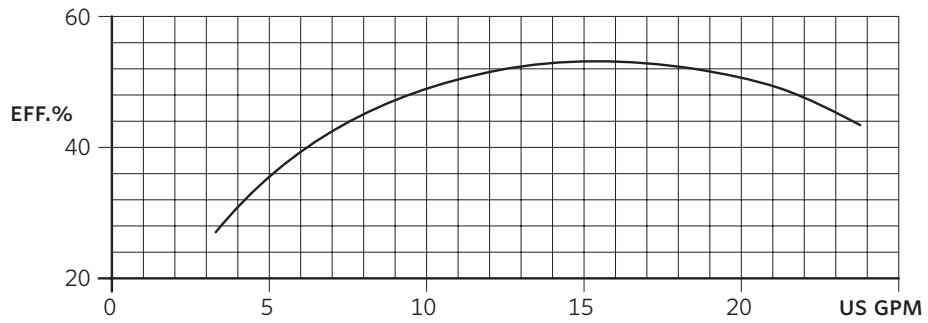
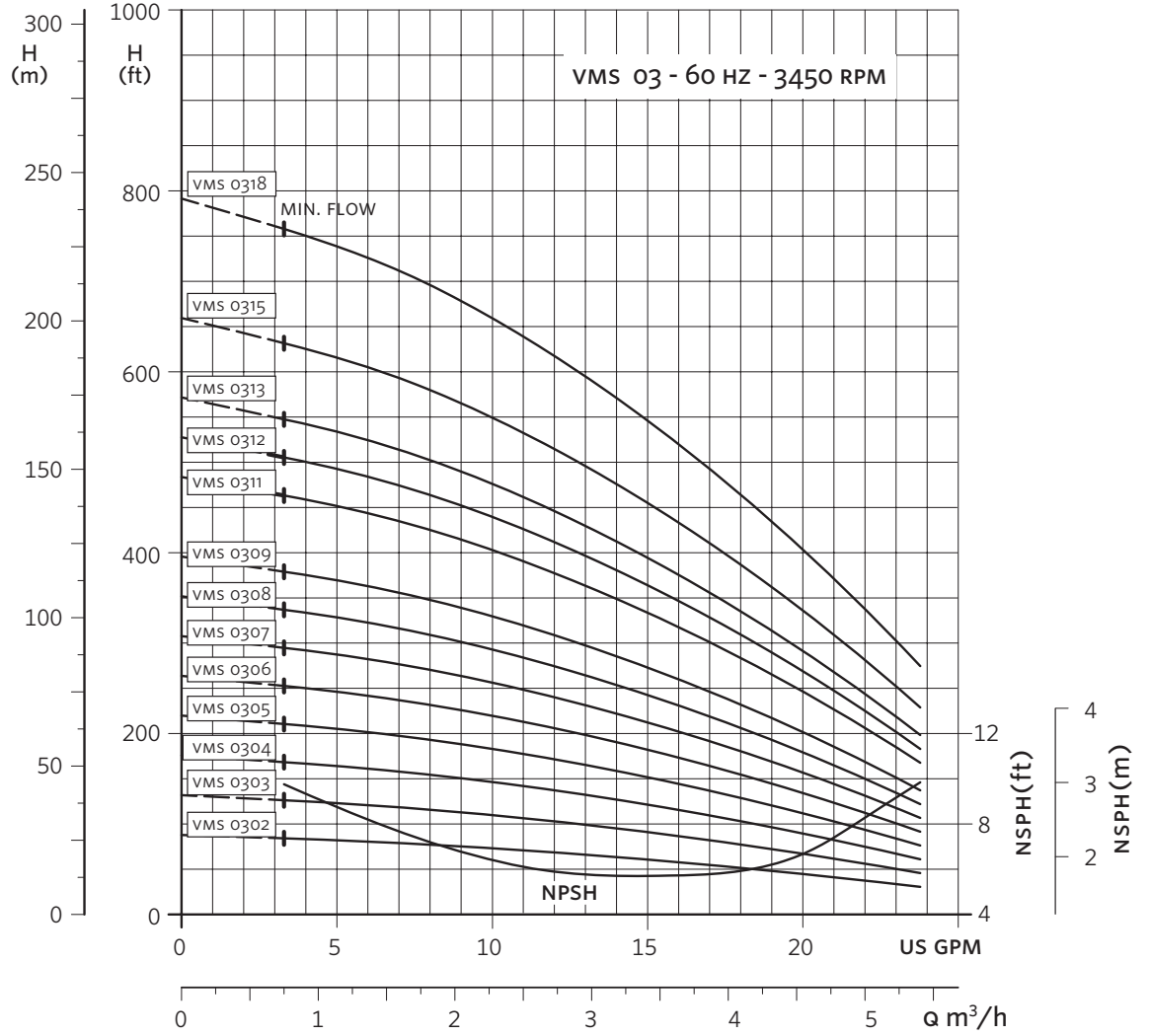
PUMP SIZE	HP	NEMA FRAME	MWP*	DIMENSIONS in inches(mm)		WEIGHT in lbs (kg)
				HC	P	
VMS 0302	0.5	56C	232	21.56 (548)	7.25 (184)	59 (26.8)
VMS 0303	0.75	56C	232	23.89 (607)	7.25 (184)	62 (28.1)
VMS 0304	1	56C	232	25.53 (648)	7.25 (184)	65 (29.5)
VMS 0305	1.5	143TC	232	25.90 (658)	8.63 (219)	73 (33.1)
VMS 0306	1.5	143TC	232	26.73 (679)	8.63 (219)	76 (34.5)
VMS 0307	2	145TC	232	28.09 (714)	8.63 (219)	85 (38.6)
VMS 0308	2	145TC	232	28.92 (735)	8.63 (219)	85 (38.6)
VMS 0309	3	145TC	232	30.50 (775)	8.63 (219)	91 (41.3)
VMS 0311	3	145TC	370	32.15 (817)	8.63 (219)	92 (41.7)
VMS 0312	3	145TC	370	32.98 (838)	8.63 (219)	92 (41.7)
VMS 0313	3	145TC	370	34.20 (869)	8.63 (219)	95 (43.1)
VMS 0315	5	184TC	370	39.44 (1002)	10.38 (264)	129 (58.5)
VMS 0318	5	184TC	370	41.93 (1065)	10.38 (264)	137 (62.1)

All dimensions are in inches (mm) and are approximate.

\*Maximum Working Pressure



SERIES 4700 PERFORMANCE CURVES



Performance curves are for reference only.  
Confirm current performance data with Armstrong ACE ONLINE selection software.

**TORONTO**

23 BERTRAND AVENUE  
TORONTO, ONTARIO  
CANADA  
M1L 2P3  
+416 755 2291

**BUFFALO**

93 EAST AVENUE  
NORTH TONAWANDA, NEW YORK  
U.S.A.  
14120-6594  
+716 693 8813

**BIRMINGHAM**

HEYWOOD WHARF, MUCKLOW HILL  
HALESOWEN, WEST MIDLANDS  
UNITED KINGDOM  
B62 8DJ  
+44 (0) 8444 145 145

**MANCHESTER**

WOLVERTON STREET  
MANCHESTER  
UNITED KINGDOM  
M11 2ET  
+44 (0) 8444 145 145

**BANGALORE**

#59, FIRST FLOOR, 3RD MAIN  
MARGOSA ROAD, MALLESWARAM  
BANGALORE, INDIA  
560 003  
+91 (0) 80 4906 3555

**SHANGHAI**

NO. 1619 HU HANG ROAD, XI DU TOWNSHIP  
FENG XIAN DISTRICT, SHANGHAI  
P.R.C.  
201401  
+86 21 3756 6696

**MAKING  
ENERGY  
MAKE  
SENSE™**