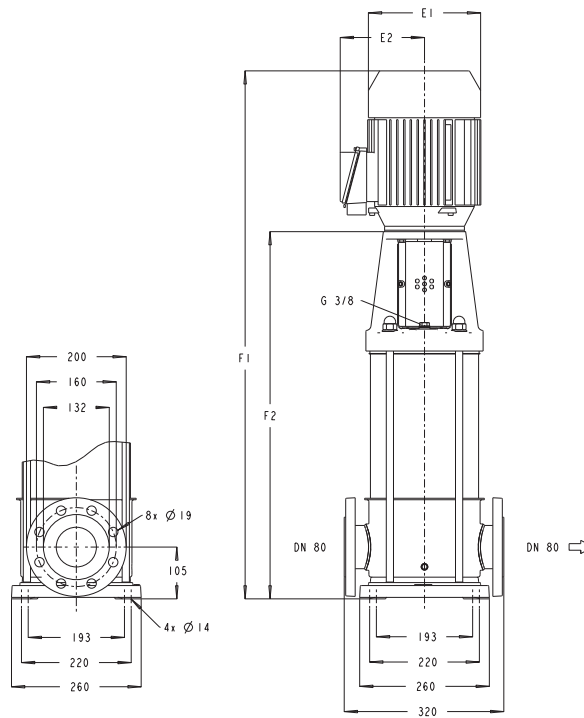


Vertical Multistage Pumps

VMS(S) F 45 50 Hz

SUBMITTAL

JOB: _____	REPRESENTATIVE: _____
_____	_____
ENGINEER: _____	ORDER NO: _____ DATE: _____
CONTRACTOR: _____	SUBMITTED BY: _____ DATE: _____
_____	APPROVED BY: _____ DATE: _____



VMS(S)F 45 50 HZ	GENERAL					
MODEL	P (kW)	E1 (MM) ¹	E2 (MM)	F1 (MM)	F2 (MM)	NET WEIGHT (KG)
45-10-1	2.2	176	136	733	458	62
45-10	4	233	162	782	458	80
45-20-1	5.5	233	162	855	526	88
45-20	7.5	233	162	883	526	92
45-30-1	11	315	206	1182	680	164
45-30	11	315	206	1182	680	164
45-40-1	11	315	206	1230	728	166
45-40	15	315	206	1230	728	180
45-50-1	15	315	206	1279	777	182
45-50	18.5	315	206	1323	777	198
45-60-1	18.5	315	206	1371	825	200
45-60	22	350	225	1420	825	236
45-70-1	22	350	225	1469	874	238
45-70	30	400	290	1524	874	311
45-80-1	30	400	290	1572	922	314
45-80	30	400	290	1572	922	314
45-90-1	30	400	290	1621	971	316
45-90	37	400	290	1621	971	330
45-100-1	37	400	290	1669	1019	332
45-100	37	400	290	1669	1019	332

1. Diameter adapter flange 5.5-7.5 kW = 300 mm, 11-22 kW = 350 mm, 30-37 kW = 400 mm

ARMSTRONG INTEGRATED LIMITED
 Wenlock Way
 Manchester
 United Kingdom, M12 5JL
T: +44 (0) 8444 145 145
F: +44 (0) 8444 145 146

S. A. ARMSTRONG LIMITED
 23 Bertrand Avenue
 Toronto, Ontario
 Canada, M1L 2P3
T: 416 755 2291
F: 416 759 9101