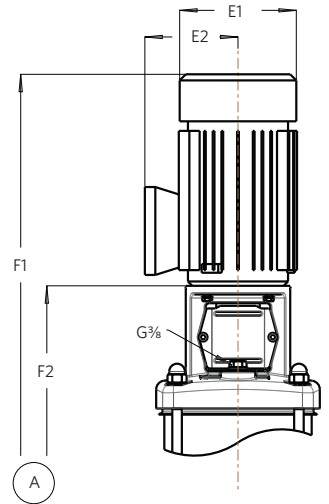


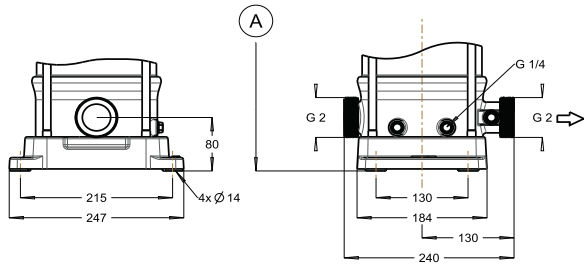
Vertical Multistage Pumps VMS 15B - 50 Hz - 4 pole - DIN SUBMITTAL

JOB: _____	REPRESENTATIVE: _____
_____	_____
ENGINEER: _____	ORDER NO: _____ DATE: _____
CONTRACTOR: _____	SUBMITTED BY: _____ DATE: _____
_____	APPROVED BY: _____ DATE: _____

V Long coupled motor construction type; V18

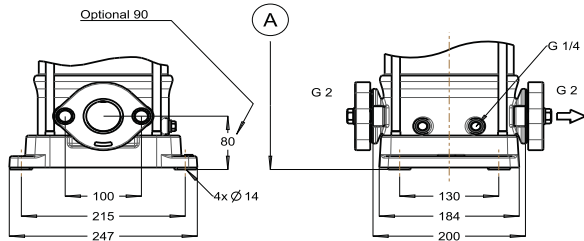
MODEL	PRESSURE CLASS	POWER	MOTOR DIMENSIONS		VMS(S)-V/T			VMS(C/S)F		
MODEL		kW	E1	E2	F1	F2	WEIGHT	F1	F2	WEIGHT
15/1	PN10	0.55	138.5	110	592	346	34	602	356	38
15/2		0.55	138.5	110	592	346	35	602	356	38
15/3		0.55	138.5	110	618	372	36	628	382	39
15/4		0.55	138.5	110	645	399	37	655	409	40
15/5		0.55	138.5	110	671	425	38	681	435	42
15/6		0.75	159	155	727	452	40	737	462	44
15/7		1.1	159	155	758	488	43	768	498	49
15/8		1.1	159	155	785	515	44	795	525	47
15/9		1.1	159	155	811	541	46	821	551	49
15/10		1.5	159	155	853	568	48	863	578	55
15/11		1.5	176.5	160	879	594	50	889	604	53
15/13		1.5	176.5	160	932	647	52	942	657	55
15/15		2.2	176.5	160	1040	710	62	1050	720	65
15/17		2.2	176.5	160	1093	763	64	1103	773	67





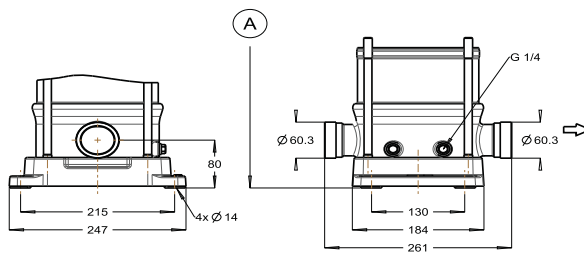
VMS E Male thread -

With non return valve insert at discharge side and pressure measurement plug at upstream side
 Norm: G EN ISO 228
 Size: G 2
 Pressure Class: PN16
 Option: Base plate in cast SS 1.4308



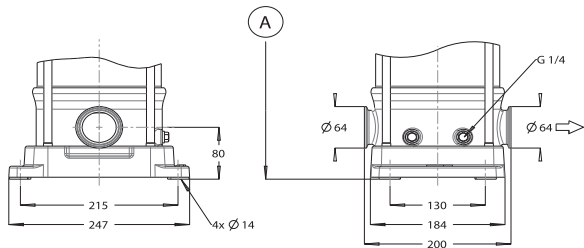
VMS (S)

Counter flange with female thread included
 DPV: Cataphoric coated cast iron
 DPVS: Cast Stainless steel 1.4408
 Norm: G EN ISO 228
 Size: G 6/4
 Pressure Class: PN16
 Option: Flange and base plate in SS1.4308



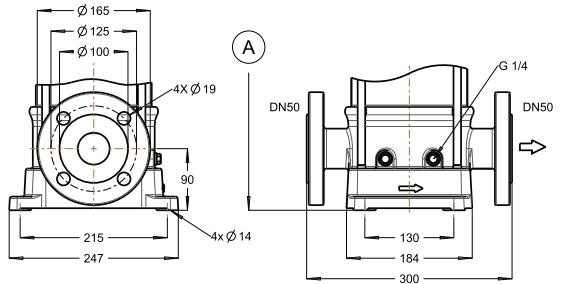
VMS (S) V Victaulic

Norm: -
 Size: 60.3
 Pressure Class: PN25
 Option: Base plate in SS 1.4308



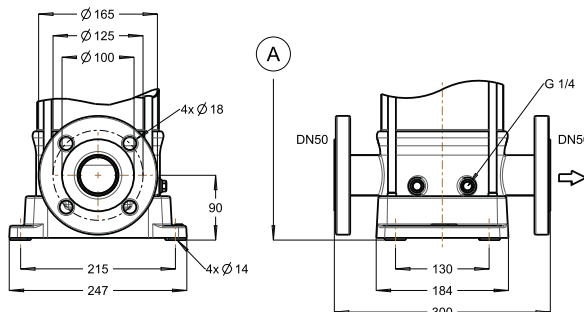
VMS S T Tri-Clamp

Norm: 32676
 Size: Ø64
 Pressure Class: PN416
 Option: Baseplate in cast SS 1.4308



VMS C F Cast Iron Flange

Norm: EN 1092-1/1092-2
 Size: NW50
 Pressure Class: PN40



VMS (S) F Round collar flange

Cataphoric coated collar flange
 Norm: EN 1092-1/1092-2
 Size: NW50
 Pressure Class: PN40
 Option: Collar flange and/or base plate in cast SS 1.4308

ARMSTRONG INTEGRATED LIMITED

Wenlock Way
 Manchester
 United Kingdom, M12 5JL
T: +44 (0) 8444 145 145
F: +44 (0) 8444 145 146

S. A. ARMSTRONG LIMITED

23 Bertrand Avenue
 Toronto, Ontario
 Canada, M1L 2P3
T: 416 755 2291
F: 416 759 9101