

## 4700 VERTICAL MULTI-STAGE PUMP | VMS 05B | SUBMITTAL

File No: 47.5051L  
Date: APRIL 15, 2023  
Supersedes: 47.5051L  
Date: OCTOBER 04, 2018

Job: \_\_\_\_\_ Representative: \_\_\_\_\_

Ordered by: \_\_\_\_\_ Date: \_\_\_\_\_

Engineer: \_\_\_\_\_ Submitted by: \_\_\_\_\_ Date: \_\_\_\_\_

Contractor: \_\_\_\_\_ Approved by: \_\_\_\_\_ Date: \_\_\_\_\_

### PUMP DESIGN DATA

No. of pumps: \_\_\_\_\_ Tag: \_\_\_\_\_  
Capacity: \_\_\_\_\_ USgpm (L/s) Head: \_\_\_\_\_ ft (m)  
Liquid: \_\_\_\_\_ Viscosity: \_\_\_\_\_  
Temperature: \_\_\_\_\_ °F (°C) Specific gravity: \_\_\_\_\_  
Suction: 1.25" (32mm) Discharge: 1.25" (32mm)  
Maximum working temperature: 250°F (120°C)

### MOTOR DESIGN DATA

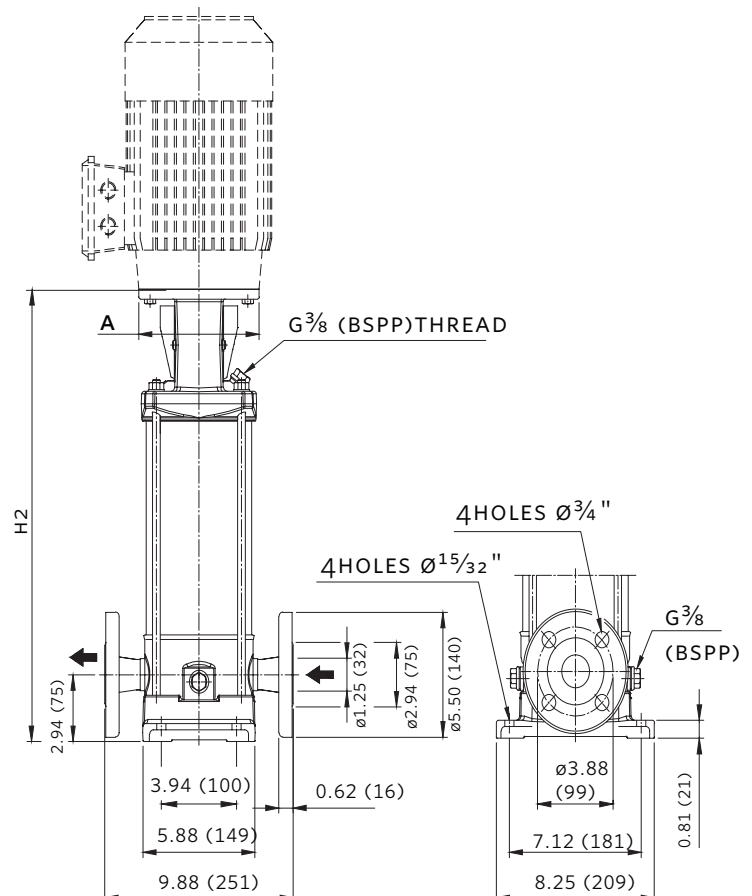
HP: \_\_\_\_\_ RPM: 3000 Frame size: \_\_\_\_\_  
Enclosure:  ODP  TEFC Volts: \_\_\_\_\_  
Hertz: 50 Hz Phase:  1  3  
Efficiency\*:  Standard Efficiency  Other: \_\_\_\_\_%

\*Fractional power, frame 56 & 1-phase motors are supplied with the standard efficiency of the Manufacturer.

### MATERIALS OF CONSTRUCTION

**Flange rating:** ANSI 300  
**Bottom casing:** EN 1.4301 (AISI 304)  
**Impellers:** EN 1.4301 (AISI 304)  
**Intermediate casing:** EN 1.4301 (AISI 304)  
**Pump shaft:** VMS0502B-VMS0516B - EN 1.430 (AISI 304)  
VMS0517B-VMS0519B - EN 1.4462 (AISI 329A)  
**Shaft sleeve bearing:** Tungsten carbide  
**O rings:** FPM  
**Motor bracket:** Cast iron EN-GJL-200-EN 1561  
**Pump base:** Die cast aluminum  
EN-AB-AISI 11Cu2(Fe)  
**Mechanical seal faces:** Silicon carbide/Carbon/FPM

### REMARKS



2

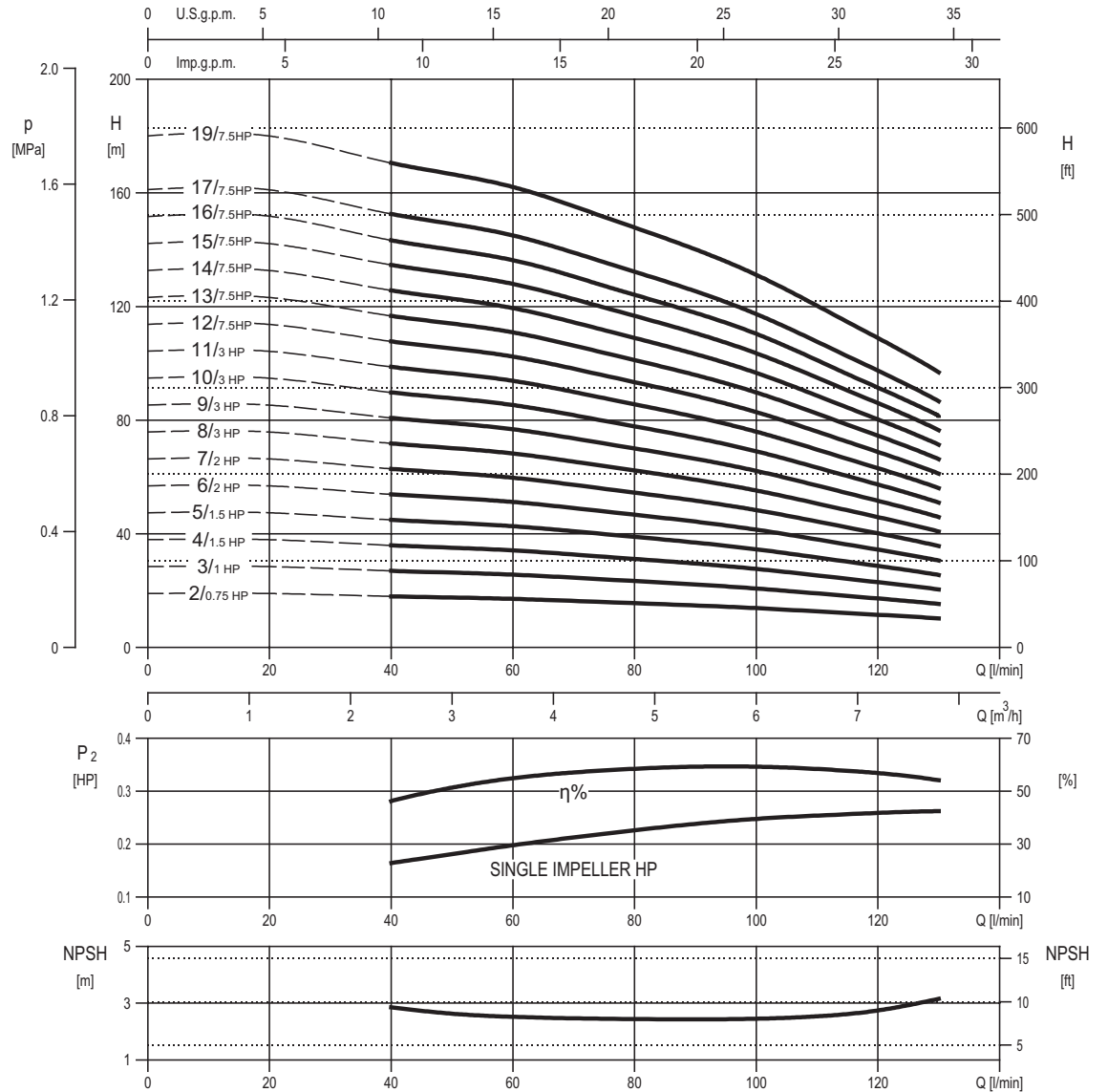
PUMP SIZE	HP	NEMA FRAME	MWP*	DIMENSIONS in inches(mm)		WEIGHT in lbs (kg)
				A	H2	
VMS 0502B	0.75	56c	230	4.50 (114)	12.44 (316)	25 (11.3)
VMS 0503B	1	56c	230	4.50 (114)	13.56 (344)	26 (11.8)
VMS 0504B	1.5	56c	230	4.50 (114)	14.63 (371)	27 (12.2)
VMS 0505B	1.5	143TC	230	8.50 (216)	19.25 (489)	34 (15.4)
VMS 0506B	2	143TC	230	8.50 (216)	20.31 (516)	35 (15.9)
VMS 0507B	2	182TC	230	8.50 (216)	21.44 (545)	36 (16.3)
VMS 0508B	3	182TC	230	8.50 (216)	22.56 (573)	37 (16.8)
VMS 0509B	3	182TC	230	8.50 (216)	23.63 (600)	38 (17.2)
VMS 0510B	3	182TC	230	8.50 (216)	24.75 (629)	39 (17.7)
VMS 0511B	3	182TC	230	8.50 (216)	25.88 (657)	40 (18.1)
VMS 0512B	7.5	213TC	230	8.50 (216)	27.56 (700)	52 (23.6)
VMS 0513B	7.5	213TC	360	8.50 (216)	28.69 (729)	56 (25.4)
VMS 0514B	7.5	213TC	360	8.50 (216)	29.81 (757)	57 (25.9)
VMS 0515B	7.5	213TC	360	8.50 (216)	30.88 (784)	58 (26.3)
VMS 0516B	7.5	213TC	360	8.50 (216)	32.00 (813)	60 (27.2)
VMS 0517B	7.5	213TC	360	8.50 (216)	33.13 (841)	61 (27.7)
VMS 0519B	7.5	213TC	360	8.50 (216)	35.31 (897)	63 (28.6)

All dimensions are in inches (mm) and are approximate.

\*Maximum Working Pressure in psi

## 4700 PERFORMANCE CURVES

0.75 HP - 7.5 HP  
2 - 19 Stages  
2900 RPM  
300# ANSI 1¼" 4-Bolt



Performance curves are for reference only.

**TORONTO**

23 BERTRAND AVENUE,  
TORONTO, ONTARIO,  
CANADA, M1L 2P3  
+1 416 755 2291

**BUFFALO**

93 EAST AVENUE, NORTH  
TONAWANDA, NEW YORK,  
U.S.A., 14120-6594  
+1 716 693 8813

**DROITWICH SPA**

POINTON WAY, STONEBRIDGE CROSS  
BUSINESS PARK, DROITWICH SPA,  
WORCESTERSHIRE,  
UNITED KINGDOM, WR9 0LW  
+44 121 550 5333

**MANCHESTER**

WOLVERTON STREET, MANCHESTER  
UNITED KINGDOM, M11 2ET  
+44 161 223 2223

**BANGALORE**

#18, LEWIS WORKSPACE, 3<sup>RD</sup> FLOOR,  
OFF MILLERS - NANDIDURGA ROAD,  
JAYAMAHAL CBD, BENSON TOWN,  
BANGALORE, INDIA 560 046  
+91 80 4906 3555

**SHANGHAI**

UNIT 903, 888 NORTH SICHUAN RD.  
HONGKOU DISTRICT, SHANGHAI  
CHINA, 200085  
+86 21 5237 0909

**BEIJING**

ROOM 1612, NANYIN BUILDING NO.2  
NORTH EAST THRID RING ROAD  
CHAOYANG DISTRICT, BEIJING,  
CHINA 100027  
+86 21 5237 0909

**SÃO PAULO**

RUA JOSÉ SEMIÃO RODRIGUES  
AGOSTINHO, 1370 GALPÃO 6 EMBU  
DAS ARTES, SAO PAULO, BRAZIL  
+55 11 4785 1330

**LYON**

93 RUE DE LA VILLETTE  
LYON, 69003 FRANCE  
+33 4 26 83 78 74

**DUBAI**

JAFZA VIEW 19, OFFICE 402  
P.O.BOX 18226 JAFZA,  
DUBAI - UNITED ARAB EMIRATES  
+971 4 887 6775

**JIMBOLIA**

STR CALEA MOTILOR NR. 2C  
JIMBOLIA 305400, JUD.TIMIS  
ROMANIA  
+40 256 360 030

ARMSTRONG FLUID TECHNOLOGY®  
ESTABLISHED 1934

ARMSTRONGFLUIDTECHNOLOGY.COM