

SERIES 4600 | HORIZONTAL SPLIT CASE PUMP 6 × 5 × 15H | SUBMITTAL

File No: 46.557
Date: NOVEMBER 28, 2014
Supersedes: 46.557
Date: OCTOBER 15, 2013

Job: _____ Representative: _____

Ordered by: _____ Date: _____

Engineer: _____ Submitted by: _____ Date: _____

Approved by: _____ Date: _____

PUMP DESIGN DATA

No. of pumps: _____ Tag: _____
Capacity: _____ USgpm (L/s) Head: _____ ft (m)
Liquid: _____ Viscosity: _____
Temperature: _____ °F (°C) Specific gravity: _____
Suction: 6" (150 mm) Discharge: 5" (125 mm)

MATERIALS OF CONSTRUCTION

ANSI FLANGE RATING	ANSI 125	ANSI 250
Construction	<input type="checkbox"/> BF	<input type="checkbox"/> BF 250

Casing: Cast iron
Impeller: Bronze
Casing wear ring: Bronze
Gasket: Confined non-asbestos fiber
Bearing frame: Cast iron
Coupler guard: Steel OSHA
Anti-friction bearings: Permanently lubricated
Shaft: Carbon steel
Shaft sleeve: Bronze
Coupler: Constant speed: Woods sure-flex or equal
Variable speed: Woods dura-flex or equal
Baseplate: Fabricated steel

MECHANICAL SEAL DATA

ANSI FLANGE RATING	ANSI 125	ANSI 250
Seal type	A21	ARO
Stationary seat	Silicon carbide	Carbon
Rotating face	Carbon	Durchrome
Secondary seal	EPDM	Viton

Spring: Stainless steel
Rotating hardware: Stainless steel
Gland plate: Bronze

MOTOR DESIGN DATA

HP: _____ RPM: _____
Frame size: _____ Enclosure: _____
Volts: _____ Hertz: 60 Hz Phase: 3
Efficiency: NEMA premium 12.12 Other _____ %

MAXIMUM PUMP OPERATING CONDITIONS

ANSI 125
175 psig at 150°F (12 bars at 65°C)
140 psig at 225°F (10 bars at 107°C)

ANSI 250
300 psig at 150°F (20 bars at 65°C)
250 psig at 250°F (17 bars at 121°C)

- Tolerance of ±0.125" (±3 mm) should be used
- For exact installation, data please write factory for certified dimensions
- See performance curves on page 3

OPTIONAL EQUIPMENT

SUCTION SIDE REQUIREMENT

Important (please select)

Viewed from motor end

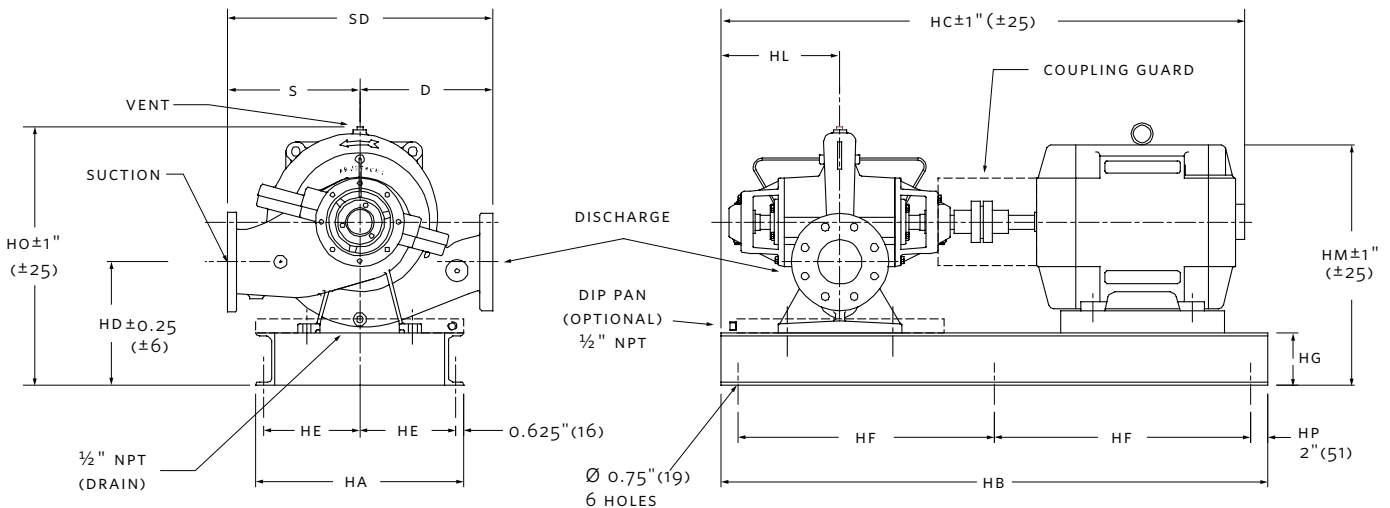
Right hand (illustrated) Left hand

MOTOR FRAME	HORSEPOWER @ RPM		DIMENSIONS INCHES (mm)										WEIGHT*			
	1800		1200	HA	HB	HC		HD	HE	HF	HG	HM		HO	lbs (kgs)	
	ODP	TEFC				ODP	TEFC					ODP	TEFC		ODP	TEFC
286TC	—	—	20	19.00 (483)	58.00 (1473)	55.38 (1407)	58.26 (1480)	12.00 (305)	8.88 (225)	27.00 (686)	4.00 (102)	22.72 (577)	23.25 (591)	26.90 (683)	1230 (557.9)	1325 (601.0)
324TC	—	—	25	19.00 (483)	58.00 (1473)	57.94 (1472)	61.06 (1551)	12.00 (305)	8.88 (225)	27.00 (686)	4.00 (102)	24.00 (610)	24.25 (616)	26.90 (683)	1375 (623.7)	1440 (653.2)
326TC	50	50	30	19.00 (483)	58.00 (1473)	57.94 (1472)	61.06 (1551)	12.00 (305)	8.88 (225)	27.00 (686)	4.00 (102)	24.00 (610)	24.25 (616)	26.90 (683)	1920 (870.9)	2642 (1198.4)
364TC	60	60	40	19.00 (483)	64.00 (1626)	60.19 (1529)	63.34 (1609)	12.00 (305)	8.88 (225)	30.00 (762)	4.00 (102)	25.00 (635)	25.00 (635)	26.90 (683)	2307 (1046.4)	—
365TC	75	75	50	19.00 (483)	64.00 (1626)	60.19 (1529)	63.34 (1609)	12.00 (305)	8.88 (225)	30.00 (762)	4.00 (102)	25.00 (635)	25.00 (635)	26.90 (683)	—	—
404TC	100	—	—	19.00 (483)	64.00 (1626)	64.56 (1640)	68.53 (1741)	12.00 (305)	8.88 (225)	30.00 (762)	4.00 (102)	25.50 (648)	26.00 (660)	26.90 (683)	—	2759 (1251.5)
405TC	125	100	—	19.00 (483)	64.00 (1626)	64.56 (1640)	68.53 (1741)	12.00 (305)	8.88 (225)	30.00 (762)	4.00 (102)	25.50 (648)	26.00 (660)	26.90 (683)	—	—
444TC	150	125	—	25.00 (635)	70.00 (1778)	70.12 (1781)	75.89 (1928)	12.00 (305)	11.88 (302)	33.00 (838)	4.00 (102)	27.00 (686)	27.00 (686)	26.90 (683)	—	3068 (1391.6)

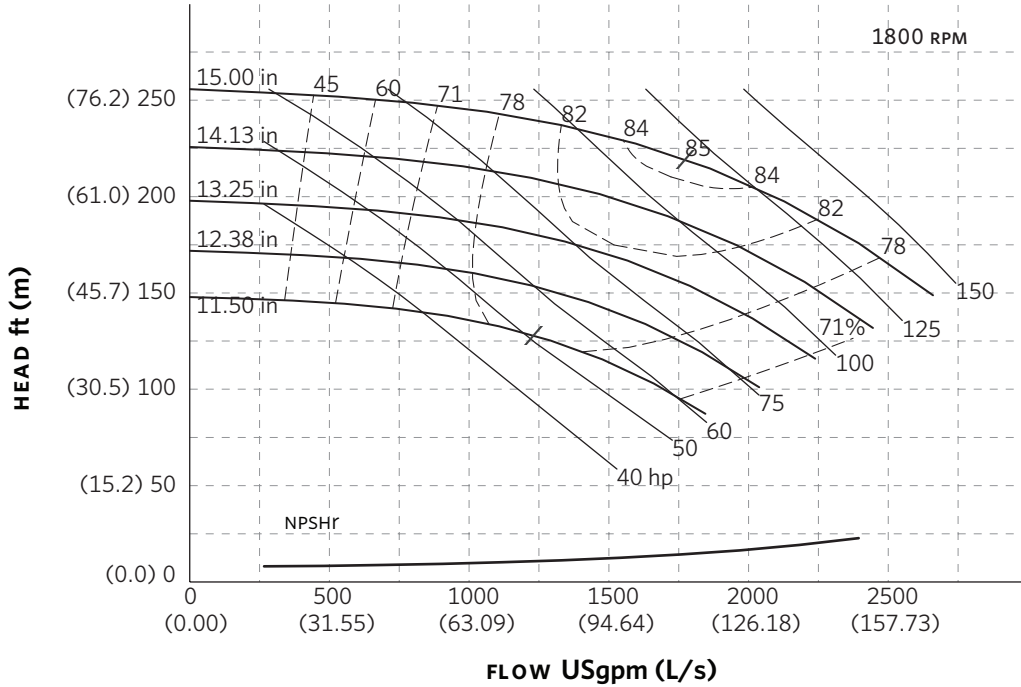
PUMP DIMENSIONS
inches (mm)

HL	S	D
13.50 (343)	15.00 (381)	15.00 (381)

*Assembly weight combines pump and motor.



SERIES 4600 PERFORMANCE CURVES



Curve number
PT151-1-0-1800

Series
4600

Size
6 × 5 × 15H

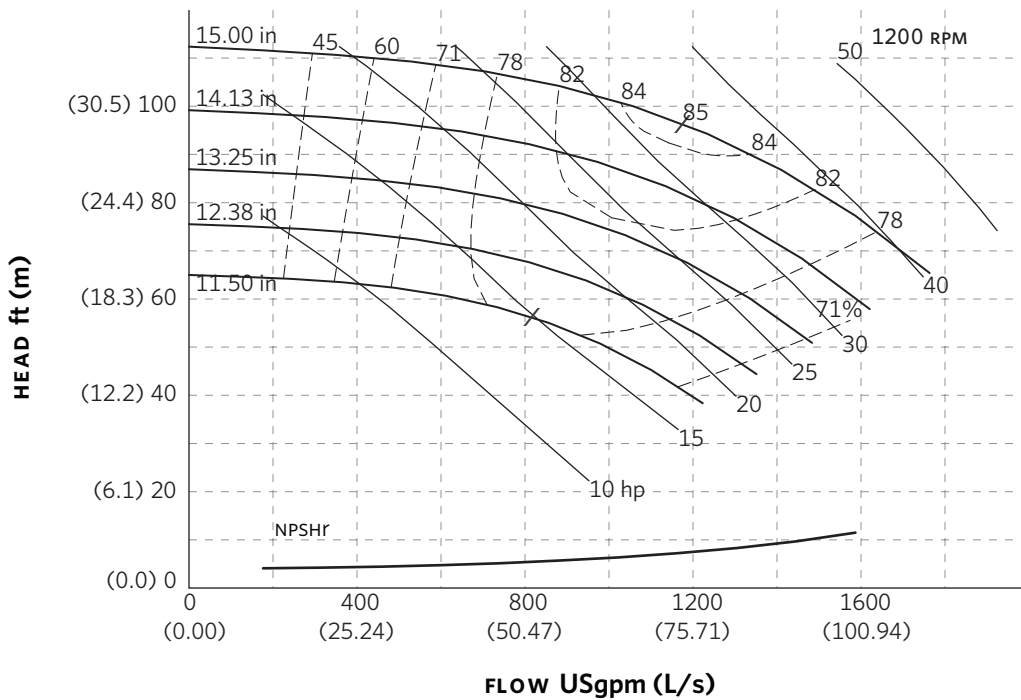
RPM
1800

BHP based on shown Fluid's sp. gr.

Availability
4600 all ratings

Performance guaranteed only at operating point indicated

Curve shown for clear, cold water
- SP. GR. 1.000



Curve number
PT151-1-0-1200

Series
4600

Size
6 × 5 × 15H

RPM
1200

BHP based on shown Fluid's sp. gr.

Availability
4600 all ratings

Performance guaranteed only at operating point indicated

Curve shown for clear, cold water
- SP. GR. 1.000

Performance curves are for reference only.
Confirm current performance data with Armstrong ACE Online selection software.

TORONTO

23 BERTRAND AVENUE
TORONTO, ONTARIO
CANADA
M1L 2P3
+1 416 755 2291

BUFFALO

93 EAST AVENUE
NORTH TONAWANDA, NEW YORK
U.S.A.
14120-6594
+1 716 693 8813

BIRMINGHAM

HEYWOOD WHARF, MUCKLOW HILL
HALESOWEN, WEST MIDLANDS
UNITED KINGDOM
B62 8DJ
+44 (0) 8444 145 145

MANCHESTER

WENLOCK WAY
MANCHESTER
UNITED KINGDOM
M12 5JL
+44 (0) 8444 145 145

BANGALORE

#59, FIRST FLOOR, 3RD MAIN
MARGOSA ROAD, MALLESWARAM
BANGALORE, INDIA
560 003
+91 (0) 80 4906 3555

SHANGHAI

NO. 1619 HU HANG ROAD, XI DU TOWNSHIP
FENG XIAN DISTRICT, SHANGHAI
P.R.C.
201401
+86 21 3756 6696

ARMSTRONG FLUID TECHNOLOGY
ESTABLISHED 1934

ARMSTRONGFLUIDTECHNOLOGY.COM

**MAKING
ENERGY
MAKE
SENSE™**