

## SERIES 4600 | HORIZONTAL SPLIT CASE PUMP 12 × 10 × 12.5H | SUBMITTAL

File No: 46.545  
Date: NOVEMBER 28, 2014  
Supersedes: 46.545  
Date: OCTOBER 15, 2013

Job: \_\_\_\_\_ Representative: \_\_\_\_\_

Ordered by: \_\_\_\_\_ Date: \_\_\_\_\_

Engineer: \_\_\_\_\_ Submitted by: \_\_\_\_\_ Date: \_\_\_\_\_

Approved by: \_\_\_\_\_ Date: \_\_\_\_\_

### PUMP DESIGN DATA

No. of pumps: \_\_\_\_\_ Tag: \_\_\_\_\_  
Capacity: \_\_\_\_\_ USgpm (L/s) Head: \_\_\_\_\_ ft (m)  
Liquid: \_\_\_\_\_ Viscosity: \_\_\_\_\_  
Temperature: \_\_\_\_\_ °F (°C) Specific gravity: \_\_\_\_\_  
Suction: 12" (300 mm) Discharge: 10" (250 mm)

### MATERIALS OF CONSTRUCTION

| ANSI FLANGE RATING | ANSI 125                    | ANSI 250                        |
|--------------------|-----------------------------|---------------------------------|
| Construction       | <input type="checkbox"/> BF | <input type="checkbox"/> BF 250 |

**Casing:** Cast iron  
**Impeller:** Bronze  
**Casing wear ring:** Bronze  
**Gasket:** Confined non-asbestos fiber  
**Bearing frame:** Cast iron  
**Coupler guard:** Steel OSHA  
**Anti-friction bearings:** Permanently lubricated  
**Shaft:** Carbon steel  
**Shaft sleeve:** Bronze  
**Coupler:** Constant speed: Woods sure-flex or equal  
Variable speed: Woods dura-flex or equal  
**Baseplate:** Fabricated steel

### MECHANICAL SEAL DATA

| ANSI FLANGE RATING | ANSI 125        | ANSI 250  |
|--------------------|-----------------|-----------|
| Seal type          | A21             | ARO       |
| Stationary seat    | Silicon carbide | Carbon    |
| Rotating face      | Carbon          | Durchrome |
| Secondary seal     | EPDM            | Viton     |

**Spring:** Stainless steel  
**Rotating hardware:** Stainless steel  
**Gland plate:** Bronze

### MOTOR DESIGN DATA

HP: \_\_\_\_\_ RPM: \_\_\_\_\_  
Frame size: \_\_\_\_\_ Enclosure: \_\_\_\_\_  
Volts: \_\_\_\_\_ Hertz: 60 Hz Phase: 3  
Efficiency:  NEMA premium 12.12  Other \_\_\_\_\_ %

### MAXIMUM PUMP OPERATING CONDITIONS

**ANSI 125**  
175 psig at 150°F (12 bars at 65°C)  
140 psig at 225°F (10 bars at 107°C)

**ANSI 250**  
300 psig at 150°F (20 bars at 65°C)  
250 psig at 250°F (17 bars at 121°C)

- Tolerance of ±0.125" (±3 mm) should be used
- For exact installation, data please write factory for certified dimensions
- See performance curves on page 3

### OPTIONAL EQUIPMENT

### SUCTION SIDE REQUIREMENT

**Important (please select)**

Viewed from motor end

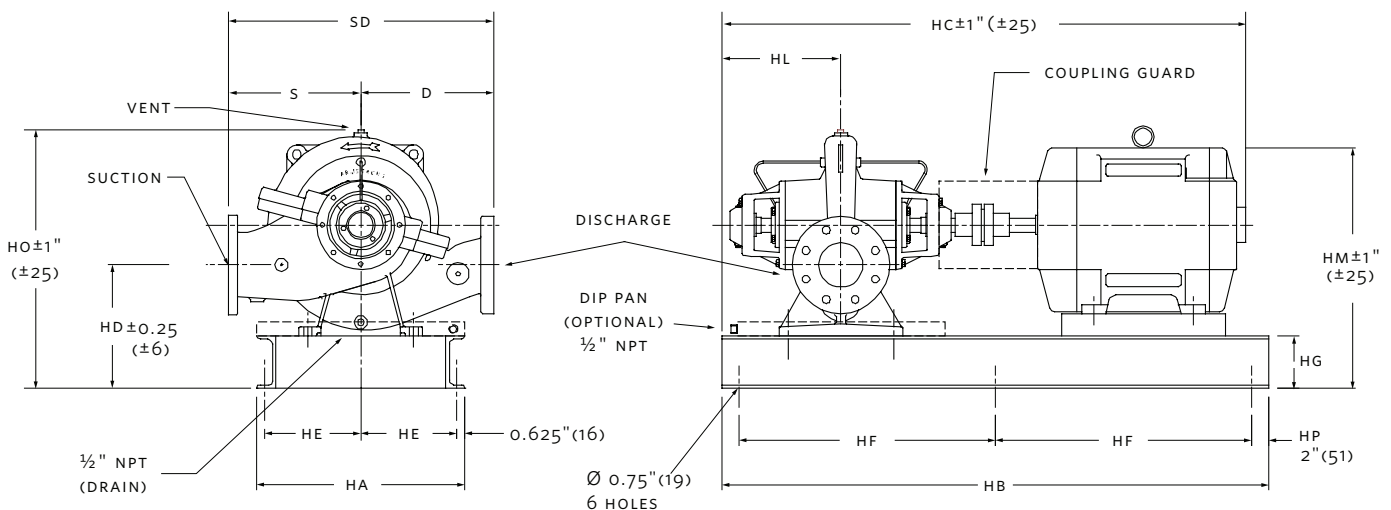
Right hand (illustrated)  Left hand

| MOTOR | HORSEPOWER @ RPM |      | DIMENSIONS INCHES (mm) |                |                 |                 |                 |                |                |                |               |                |                | WEIGHT*        |                  |                  |
|-------|------------------|------|------------------------|----------------|-----------------|-----------------|-----------------|----------------|----------------|----------------|---------------|----------------|----------------|----------------|------------------|------------------|
|       | 1800             |      | 1200                   | HA             | HB              | HC              |                 | HD             | HE             | HF             | HG            | HM             |                | HO             | lbs (kgs)        |                  |
|       | ODP              | TEFC |                        |                |                 | ODP             | TEFC            |                |                |                |               | ODP            | TEFC           |                |                  |                  |
| 324TC | —                | —    | 25                     | 23.00<br>(584) | 64.00<br>(1626) | 60.94<br>(1548) | 64.06<br>(1627) | 18.00<br>(457) | 10.50<br>(267) | 30.00<br>(762) | 6.00<br>(152) | 33.00<br>(838) | 33.25<br>(845) | 35.75<br>(908) | 1920<br>(870.9)  | 1933<br>(876.8)  |
| 326TC | —                | —    | 30                     | 23.00<br>(584) | 64.00<br>(1626) | 60.94<br>(1548) | 64.06<br>(1627) | 18.00<br>(457) | 10.50<br>(267) | 30.00<br>(762) | 6.00<br>(152) | 33.00<br>(838) | 33.25<br>(845) | 35.75<br>(908) | 1970<br>(893.6)  | 1985<br>(900.4)  |
| 364TC | —                | —    | 40                     | 23.00<br>(584) | 64.00<br>(1626) | 63.19<br>(1605) | 66.34<br>(1685) | 18.00<br>(457) | 10.50<br>(267) | 30.00<br>(762) | 6.00<br>(152) | 34.00<br>(864) | 34.00<br>(864) | 35.75<br>(908) | 2213<br>(1003.8) | 2310<br>(1047.8) |
| 365TC | 75               | 75   | 50                     | 23.00<br>(584) | 64.00<br>(1626) | 63.19<br>(1605) | 66.34<br>(1685) | 18.00<br>(457) | 10.50<br>(267) | 30.00<br>(762) | 6.00<br>(152) | 34.00<br>(864) | 34.00<br>(864) | 35.75<br>(908) | 2030<br>(920.8)  | 2407<br>(1091.8) |
| 404TC | 100              | —    | 60                     | 23.00<br>(584) | 64.00<br>(1626) | 67.56<br>(1716) | 71.53<br>(1817) | 18.00<br>(457) | 10.50<br>(267) | 30.00<br>(762) | 6.00<br>(152) | 34.50<br>(876) | 35.00<br>(889) | 35.75<br>(908) | 1938<br>(879.1)  | 3876<br>(1758.1) |
| 405TC | 125              | 100  | 75                     | 23.00<br>(584) | 70.00<br>(1778) | 67.56<br>(1716) | 71.53<br>(1817) | 18.00<br>(457) | 10.50<br>(267) | 33.00<br>(838) | 6.00<br>(152) | 34.50<br>(876) | 35.00<br>(889) | 35.75<br>(908) | 2607<br>(1182.5) | 2262<br>(1026.0) |
| 444TC | 150              | 125  | —                      | 23.00<br>(584) | 70.00<br>(1778) | 73.12<br>(1857) | 78.89<br>(2004) | 18.00<br>(457) | 10.50<br>(267) | 33.00<br>(838) | 6.00<br>(152) | 36.00<br>(914) | 36.00<br>(914) | 35.75<br>(908) | 2519<br>(1142.6) | 2960<br>(1342.6) |

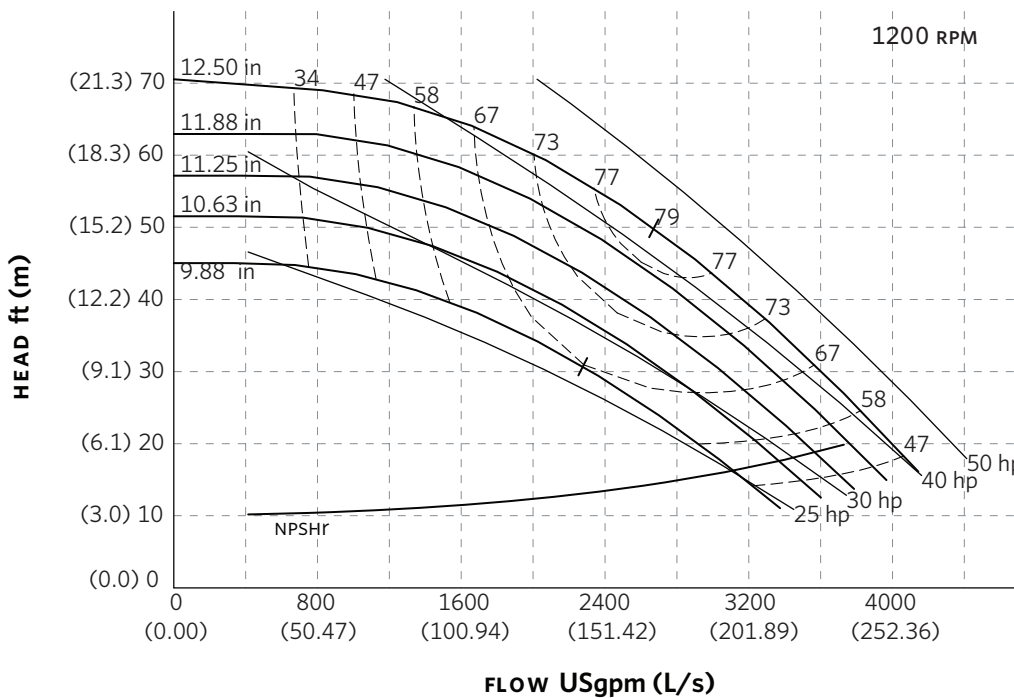
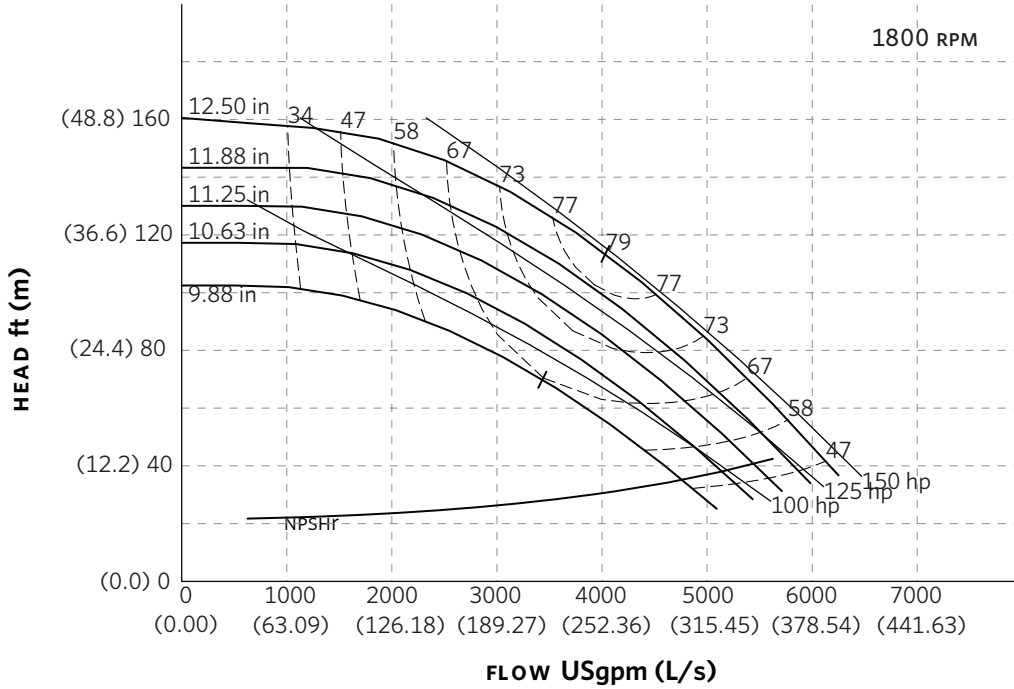
**PUMP DIMENSIONS**  
inches (mm)

| HL          | S           | D           |
|-------------|-------------|-------------|
| 14.50 (368) | 16.00 (406) | 16.00 (406) |

\*Assembly weight combines pump and motor.



## SERIES 4600 PERFORMANCE CURVES



Performance curves are for reference only.  
Confirm current performance data with Armstrong ACE Online selection software.

**TORONTO**

23 BERTRAND AVENUE  
TORONTO, ONTARIO  
CANADA  
M1L 2P3  
+1 416 755 2291

**BUFFALO**

93 EAST AVENUE  
NORTH TONAWANDA, NEW YORK  
U.S.A.  
14120-6594  
+1 716 693 8813

**BIRMINGHAM**

HEYWOOD WHARF, MUCKLOW HILL  
HALESOWEN, WEST MIDLANDS  
UNITED KINGDOM  
B62 8DJ  
+44 (0) 8444 145 145

**MANCHESTER**

WENLOCK WAY  
MANCHESTER  
UNITED KINGDOM  
M12 5JL  
+44 (0) 8444 145 145

**BANGALORE**

#59, FIRST FLOOR, 3RD MAIN  
MARGOSA ROAD, MALLESWARAM  
BANGALORE, INDIA  
560 003  
+91 (0) 80 4906 3555

**SHANGHAI**

NO. 1619 HU HANG ROAD, XI DU TOWNSHIP  
FENG XIAN DISTRICT, SHANGHAI  
P.R.C.  
201401  
+86 21 3756 6696

ARMSTRONG FLUID TECHNOLOGY  
ESTABLISHED 1934

ARMSTRONGFLUIDTECHNOLOGY.COM

**MAKING  
ENERGY  
MAKE  
SENSE™**